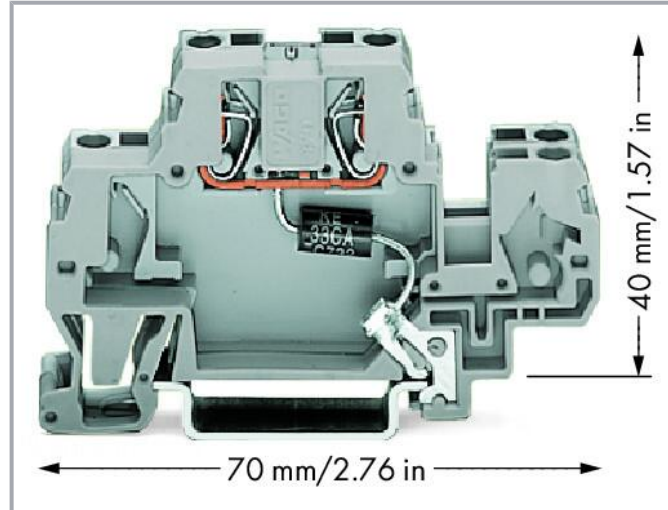
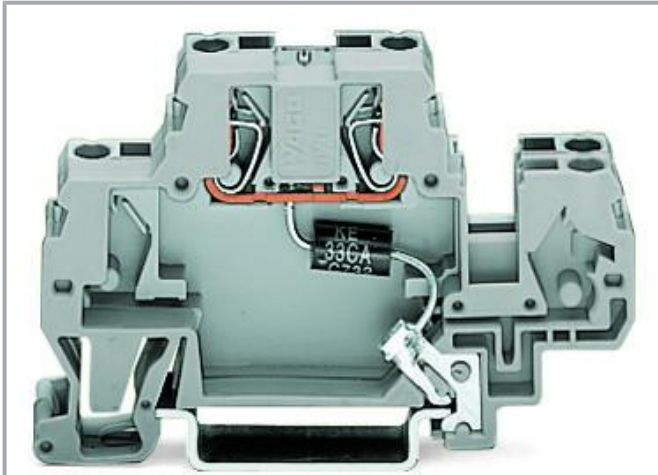


**Data sheet | Item number: 870-523/281-595**

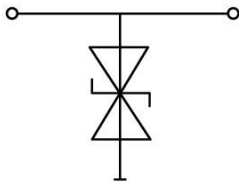
Component terminal block; double-deck; with suppressor diode; 230 VAC;  
for DIN-rail 35 x 15 and 35 x 7.5; 2.5 mm<sup>2</sup>; CAGE CLAMP®; 2,50 mm<sup>2</sup>; gray

[www.wago.com/870-523/281-595](http://www.wago.com/870-523/281-595)



**i** Picture differs from the item.

Color: —



**Data**

**Electrical data**

Nominal operating voltage	AC 230 V
Highest continuous voltage	AC 253 V
Rated continuous current	20 A
Nominal discharge current (8/20 µs) (line)	14 A
Protection level (8/20 µs)	≤ AC 706 V
Capacitance	≤ 400 pF

Subject to changes. Please also observe the further product documentation!

WAGO GmbH & Co. KG  
Hansastr. 27  
32423 Minden  
Phone: +49571 887-0 | Fax: +49571 887-169  
Email: [info.de@wago.com](mailto:info.de@wago.com) | Web: [www.wago.com](http://www.wago.com)

Do you have any questions about our products?  
We are always happy to take your call at +49 (571) 887-44222.



## Connection data

Connections (number)	2
Connection technology	CAGE CLAMP®
Solid conductor	0.08 ... 2.5 mm <sup>2</sup> / 28 ... 14 AWG
Fine-stranded conductor	0.08 ... 4 mm <sup>2</sup> / 28 ... 12 AWG
Fine-stranded conductor; with insulated ferrule	0.08 ... 1.5 mm <sup>2</sup> / 28 ... 14 AWG
Strip length	6 ... 7 mm / 0.24 ... 0.28 inches

## Physical data

Width	10 mm / 0.394 inches
Height from upper-edge of DIN-rail	40 mm / 1.575 inches
Depth	70 mm / 2.756 inches

## Mechanical Data

Mounting type	DIN-35 rail
---------------	-------------

## Material Data

Color	gray
Insulation material	Polyamide (PA66)
Material group	I
Flammability class per UL94	V0
Fire load	0.257 MJ
Weight	11.8 g

## Environmental requirements

Processing temperature	-35 ... +85 °C
------------------------	----------------

## Commercial data

Product Group	16 (Rail Mounted Terminal Blocks with CCC)
eCl@ss 10.0	27-14-11-27
eCl@ss 9.0	27-14-11-27
ETIM 8.0	EC000903
ETIM 7.0	EC000903
PU (SPU)	25 pcs
Packaging type	box

Subject to changes. Please also observe the further product documentation!

WAGO GmbH & Co. KG  
 Hansastr. 27  
 32423 Minden  
 Phone: +49571 887-0 | Fax: +49571 887-169  
 Email: [info.de@wago.com](mailto:info.de@wago.com) | Web: [www.wago.com](http://www.wago.com)

Do you have any questions about our products?  
 We are always happy to take your call at +49 (571) 887-44222.

Country of origin	DE
GTIN	4045454561475
Customs tariff number	85369010000


## Environmental Product Compliance

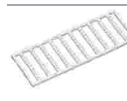
RoHS Compliance Status	Compliant,With Exemption
RoHS Exemption	7(a) 7(c)-I 7(c)-II
SCIP notification number (Bulgaria)	05d6cfb8-7c0a-4afc-86f4-5d4c8e56fe7d
SCIP notification number (Czech Republic)	81607c32-ceed-4321-9fcb-78a2152f67a3

## Optional accessories

### Marking accessories


Marker
--------

	<p><b>Item no.: 2009-145</b> Mini-WSB Inline; for Smart Printer; 1700 pieces on roll; stretchable 5 - 5.2 mm; plain; snap-on type; white</p>	<a href="http://www.wago.com/2009-145">www.wago.com/2009-145</a>
--	--	--

	<p><b>Item no.: 248-501</b> Mini-WSB marking card; as card; not stretchable; plain; snap-on type; white</p>	<a href="http://www.wago.com/248-501">www.wago.com/248-501</a>
---	---	--

Tool
------

Operating tool
----------------

	<p><b>Item no.: 210-720</b> Operating tool; Blade: 3.5 x 0.5 mm; with a partially insulated shaft; multicoloured</p>	<a href="http://www.wago.com/210-720">www.wago.com/210-720</a>
--	--	--

### End plate

End plate
-----------

	<p><b>Item no.: 870-518</b> End and intermediate plate; 2 mm thick; gray</p>	<a href="http://www.wago.com/870-518">www.wago.com/870-518</a>
--	--	--

	<p><b>Item no.: 870-519</b> End and intermediate plate; 2 mm thick; orange</p>	<a href="http://www.wago.com/870-519">www.wago.com/870-519</a>
--	--	--

### Insulation stop

Insulation stop
-----------------

	<p><b>Item no.: 280-472</b> Insulation stop; 0.75 - 1 mm<sup>2</sup>; 5 pieces/strip; black</p>	<a href="http://www.wago.com/280-472">www.wago.com/280-472</a>
--	---	--

Subject to changes. Please also observe the further product documentation!



**Item no.: 280-470**  
Insulation stop; 0.08 - 0.2 mm<sup>2</sup> "s" (0.14 mm<sup>2</sup> "f-st"); 5 pieces/strip; white

[www.wago.com/280-470](http://www.wago.com/280-470)



**Item no.: 280-471**  
Insulation stop; 0.25 - 0.5 mm<sup>2</sup>; 5 pieces/strip; light gray

[www.wago.com/280-471](http://www.wago.com/280-471)

## Jumpers

Jumper



**Item no.: 280-492**  
Jumper; 2-way; insulated; gray

[www.wago.com/280-492](http://www.wago.com/280-492)

## Downloads

### Documentation

#### Bid Text

870-523/281-595 X81 - Datei	2019 Feb 19	xml 3.4 kB	Download
870-523/281-595 doc - Datei	2015 Feb 11	doc 26.1 kB	Download

#### Additional Information

Disposal and Recycling Electrical and electronic equipment, Batteries, Packaging	V 1.1.0 2022 Aug 18	pdf 2.2 MB	Download
---	------------------------	---------------	----------

## CAD/CAE-Data

### CAD data

2D/3D Models 870-523/281-595	URL	Download
------------------------------	-----	----------

### CAE data

EPLAN Data Portal 870-523/281-595	URL	Download
WSCAD Universe 870-523/281-595	URL	Download
ZUKEN Portal 870-523/281-595	URL	Download
EPLAN Data Portal 870-523/281-595	URL	Download
WSCAD Universe 870-523/281-595	URL	Download

Subject to changes. Please also observe the further product documentation!



---

## Environmental Product Compliance

### Compliance Search

Environmental Product Compliance 870-523/281-595	URL	Download
Component terminal block; double-deck; with suppressor diode; 230 VAC; for DIN-rail 35 x 15 and 35 x 7.5; 2.5 mm <sup>2</sup> ; CAGE CLAMP®; 2,50 mm <sup>2</sup> ; gray		

---

## Installation Notes

Subject to changes. Please also observe the further product documentation!

---

WAGO GmbH & Co. KG  
Hansastr. 27  
32423 Minden  
Phone: +49571 887-0 | Fax: +49571 887-169  
Email: [info.de@wago.com](mailto:info.de@wago.com) | Web: [www.wago.com](http://www.wago.com)

Do you have any questions about our products?  
We are always happy to take your call at +49 (571) 887-44222.