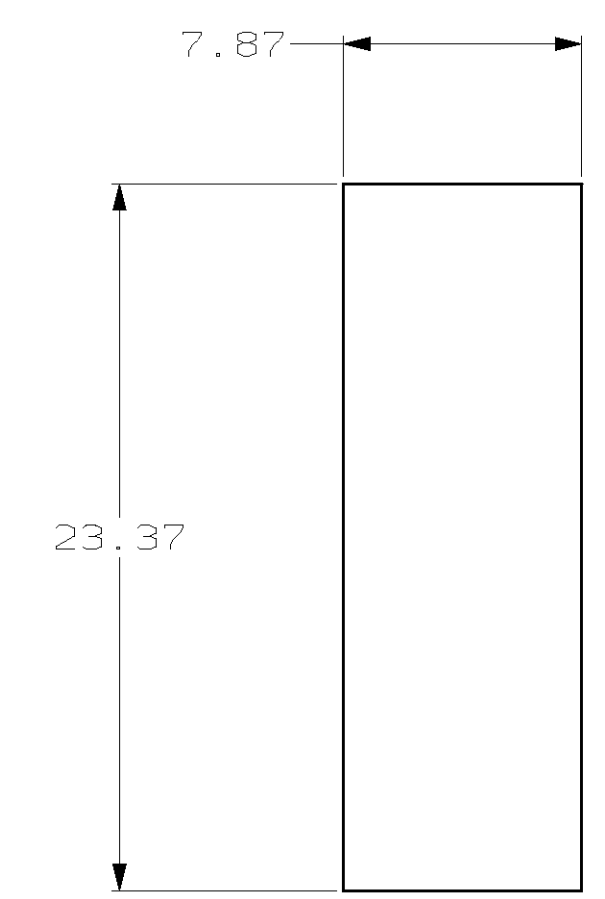
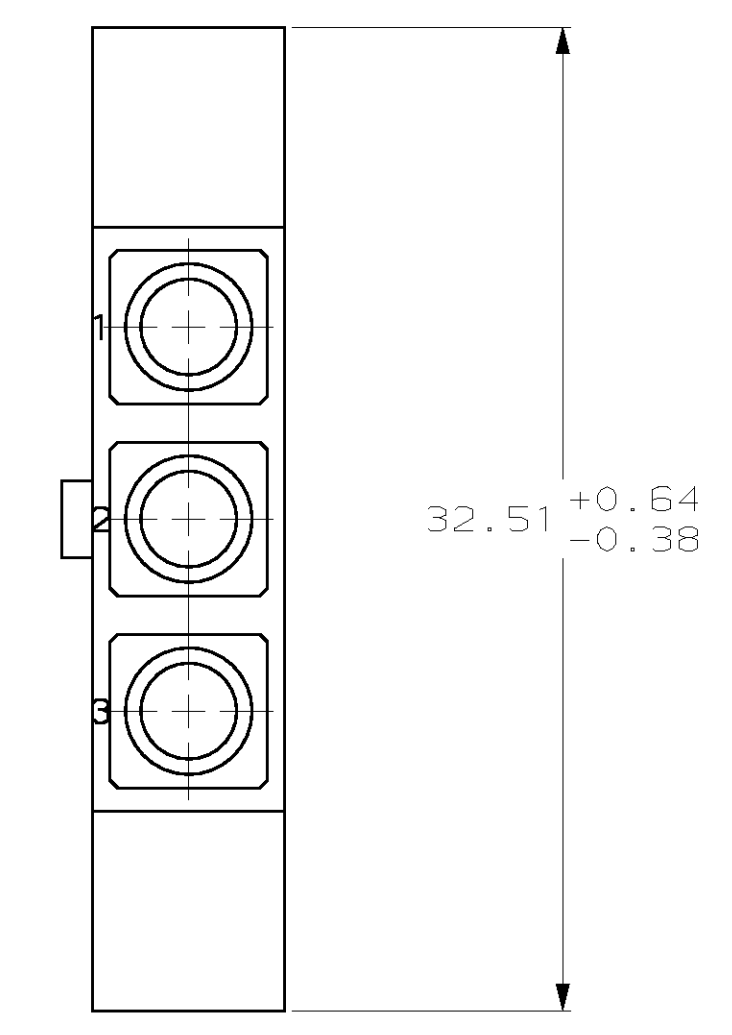
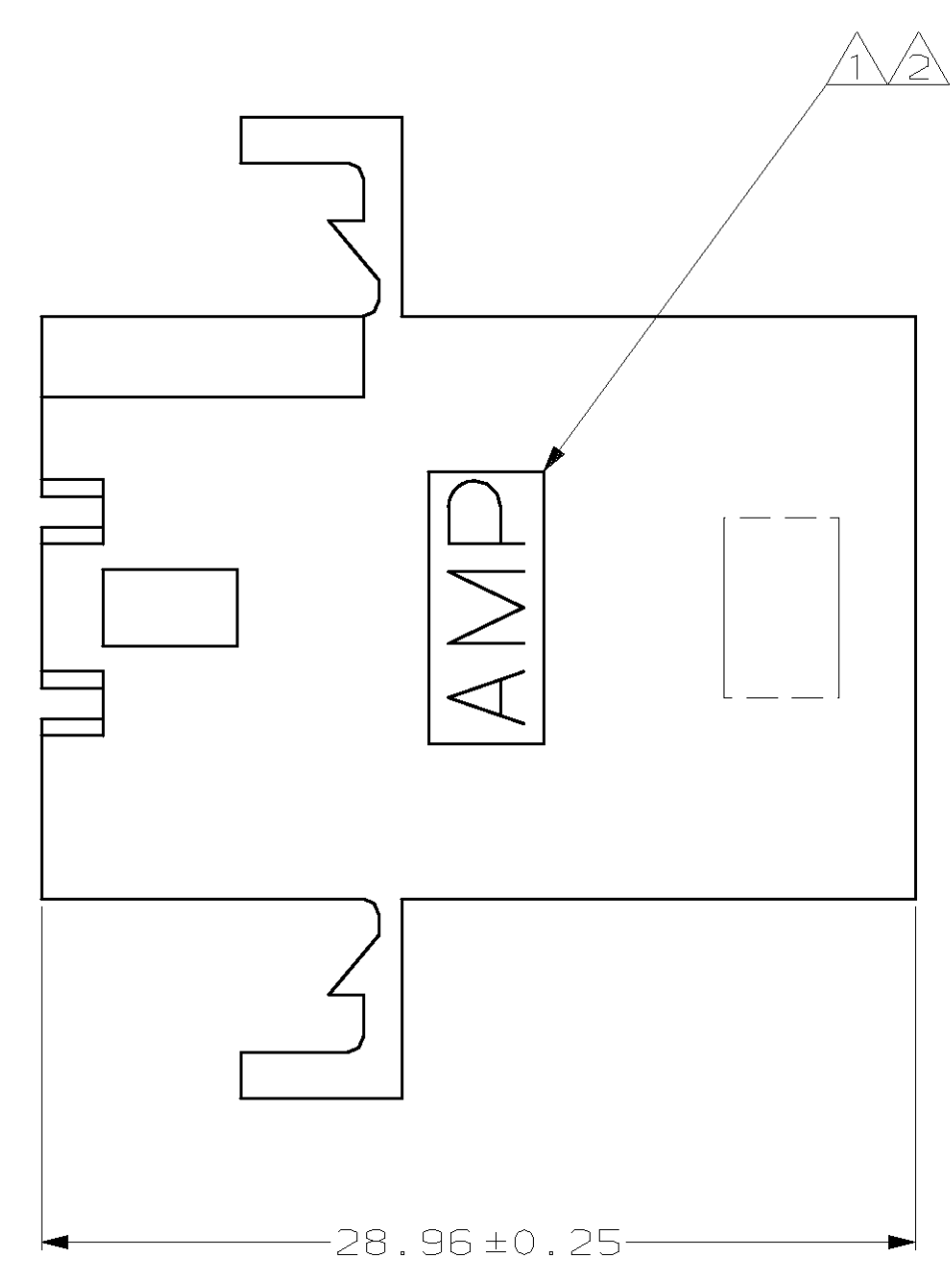
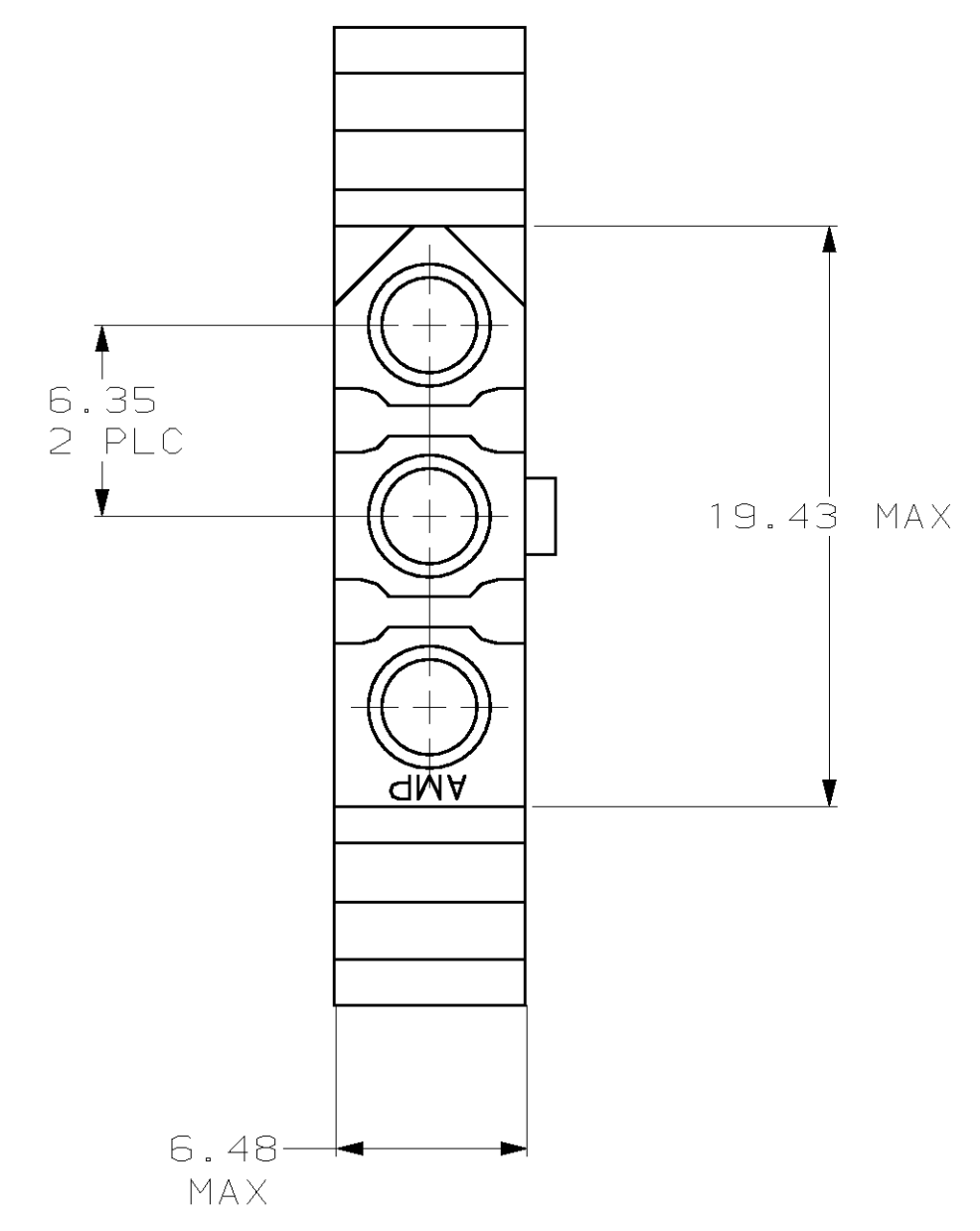
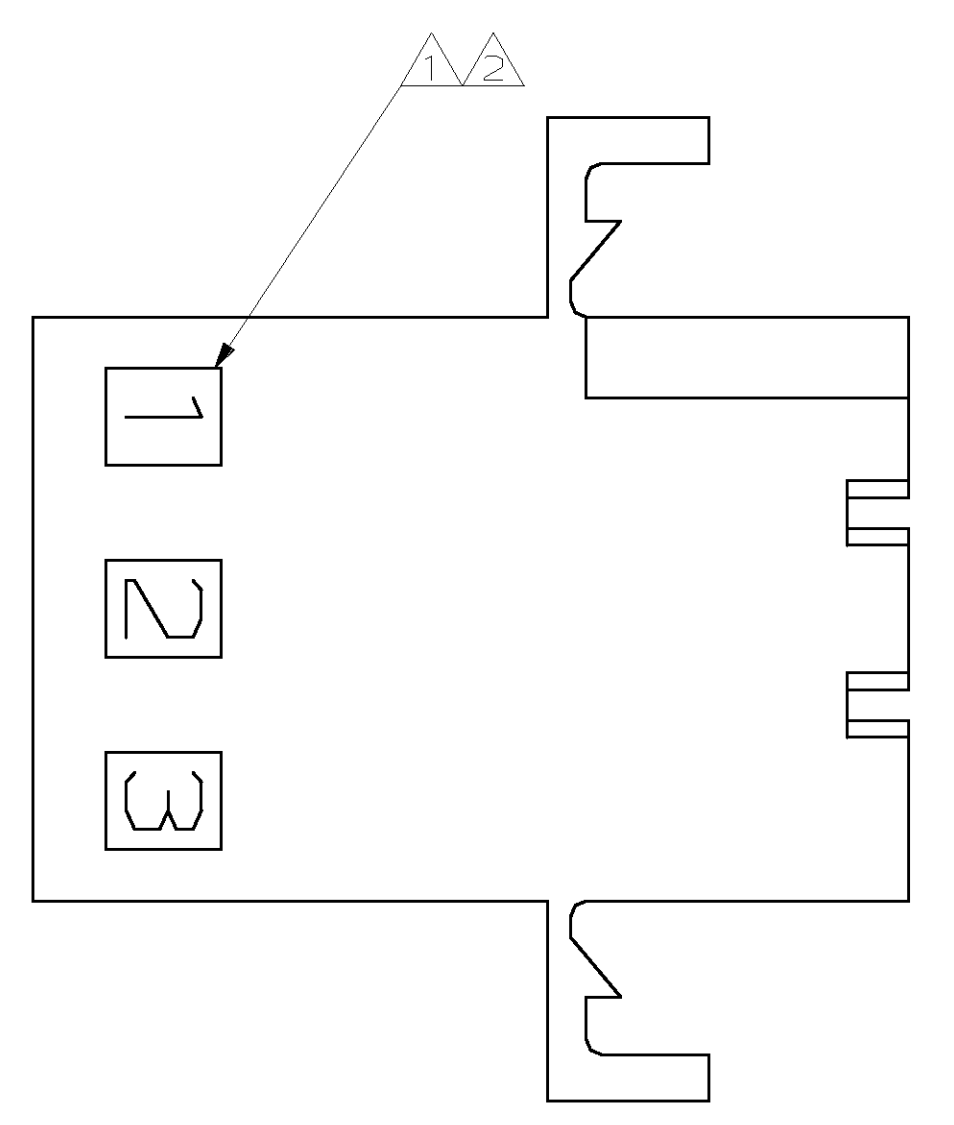
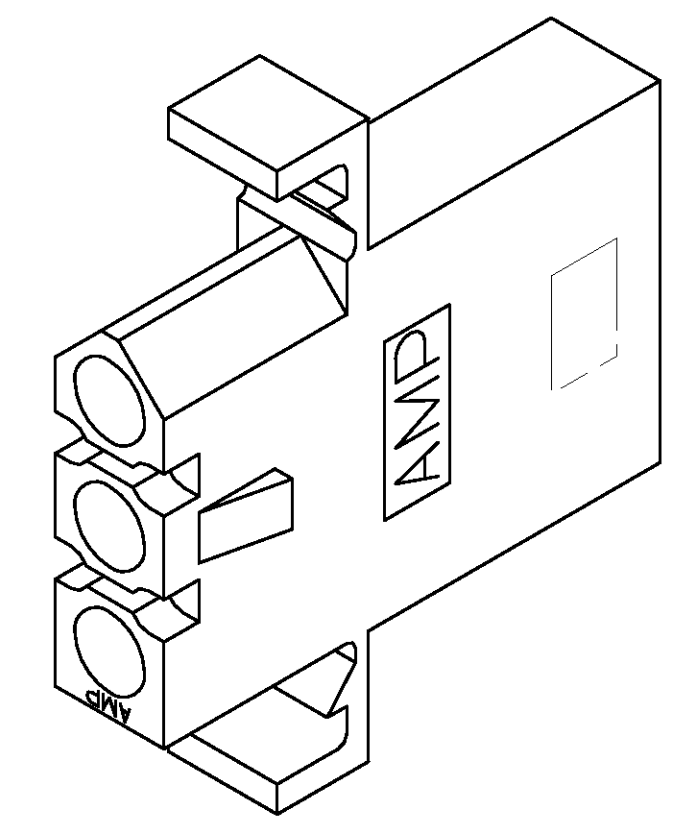


LOC	QTY	REV	DATE	BY	APPV
CM	53	E	11-04-97	KW	RS

REVISIONS
 1 AMP LOGO AND CIRCUIT ID NUMBERS LOCATED ON THIS SURFACE.
 2 OPPOSITE SIDE OPTIONAL.



RECOMMENDED CUT OUT FOR 1.58 MAX THICK PANEL



3-DIMENSIONAL MODEL NTS

MM	IN	MM	IN
6.35	.250	32.51	1.280
1.58	.062	28.96	1.140
0.64	.025	23.37	.920
0.38	.015	19.43	.765
0.25	.010	7.87	.310
0.13	.005	6.48	.255
MM	IN	MM	IN

CONVERSION TABLE

METRIC

770269-1
PART NUMBER

THIS DRAWING IS A CONTROLLED DOCUMENT.

DIMENSIONS:	TOLERANCES UNLESS OTHERWISE SPECIFIED:	DWN: K. WHITAKER 11-04-97	AMP Incorporated Harrisburg, PA 17105-3608
mm	0.13 ±	CHK: R. SWING 11-04-97	
	0.25 ±	APVD: K. CORLE 11-04-97	RECEPTACLE, PANEL MOUNT, 3 CIRCUIT, .250 PIN AND SOCKET
	0.38 ±	PRODUCT SPEC:	
	0.64 ±	APPLICATION SPEC:	
	1.27 ±	HEIGHT:	
MATERIAL: NYLON, UL 94V-2, NATURAL	FINISH: -	SCALE: 4:1	SHEET 1 OF 1
CUSTOMER DRAWING		DATE: 11-04-97	REV: F