

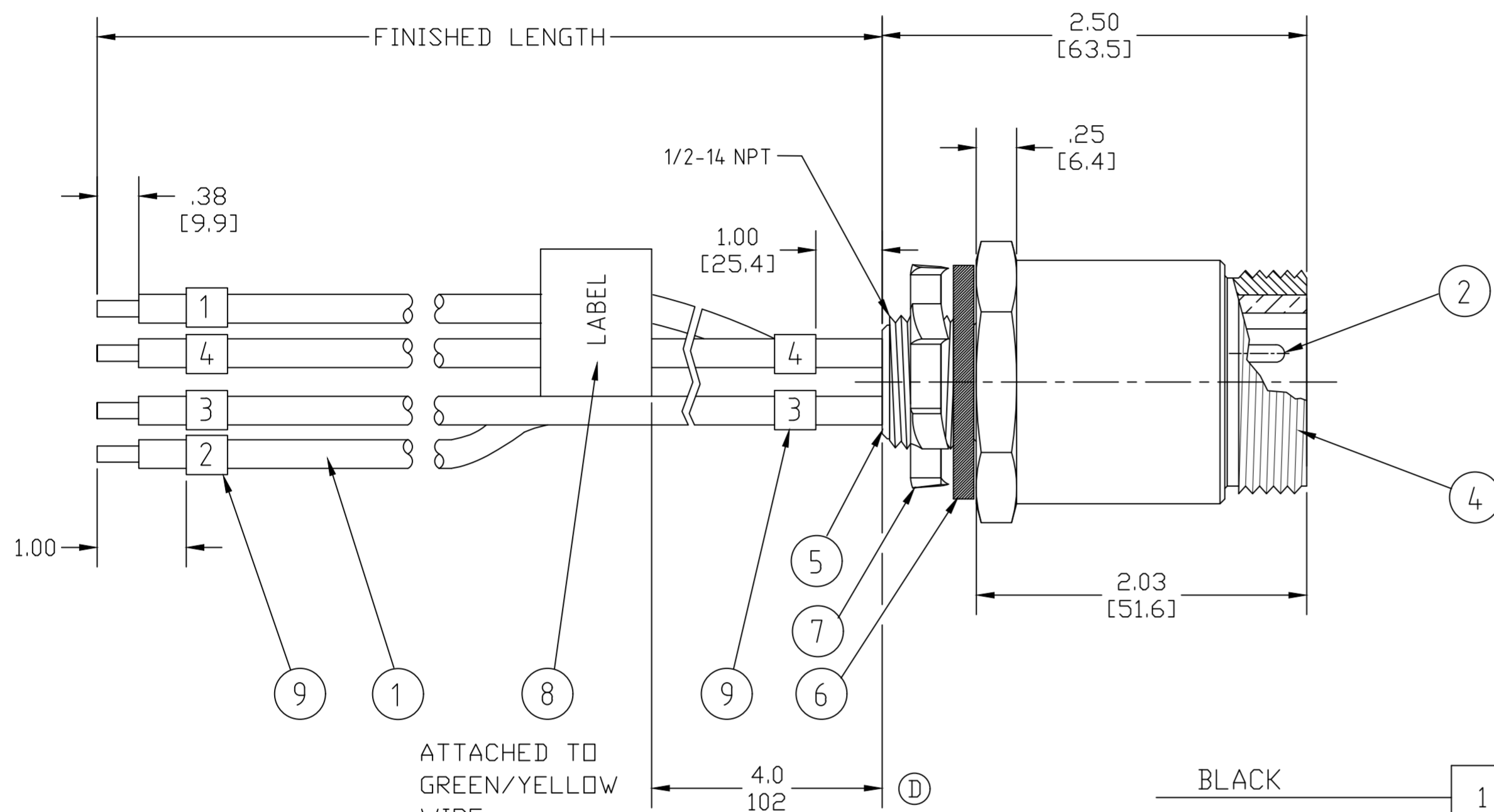
MATERIAL NUMBER	ENGINEERING NUMBER	FINISHED LENGTH
1300660232	CR4006A76M010	1M (3' 3")
1300660233	CR4006A76M020	2M (6' 7")
1300660234	CR4006A76M030	3m (9' 10")
1300660236	CR4006A76M005	0.5m (1' 8")

① PART NUMBER LEGEND
CR4006A76M010

LENGTH
M005 = 0.5 METER
M010 = 1 METER
M100 = 10 METER

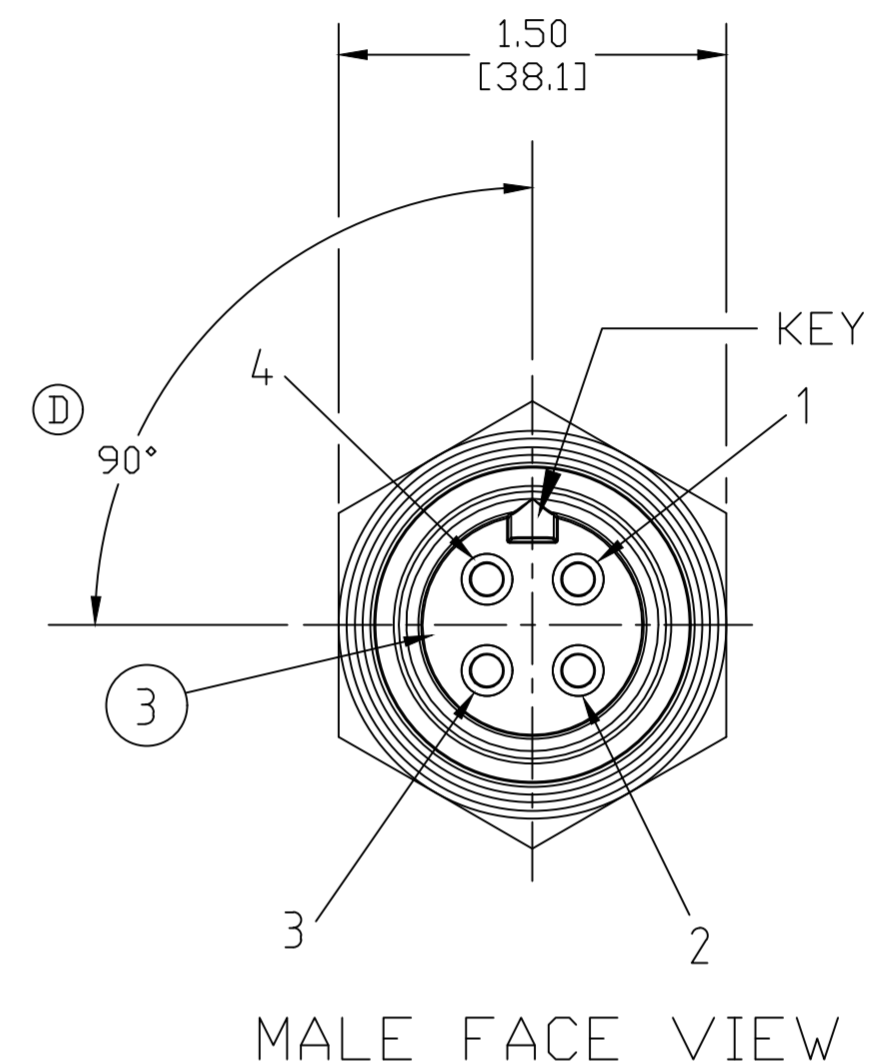
CABLE LENGTH TOLERANCES

<.3M [1FT]	+19mm-0 [+0.75in-0]
.3 - .9M [1 - 3FT]	+44.5mm-0 [+1.75in-0]
.9 - 1.8M [3 - 6FT]	+55.6mm-0 [+2.19in-0]
1.8 - 3.7M [6 - 12FT]	+88.9mm-0 [+3.50in-0]
3.7 - 7.3M [12 - 24FT]	+165.1mm-0 [+6.50in-0]
7.3-14.6M [24 - 48FT]	+317.5mm-0 [+12.50in-0]
14.6 - 30.5M [48-100FT]	+622.3mm-0 [+24.50in-0]
OVER 30M [100FT]	+2% OF FINISHED LENGTH



BLACK	1
GREEN-YELLOW	2
BLACK	3
BLACK	4

① WIRING DIAGRAM

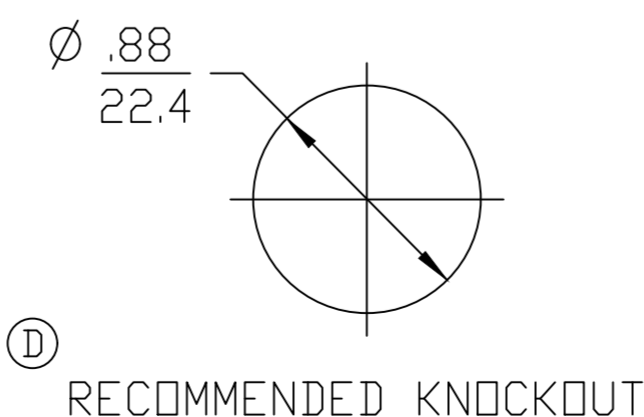


MALE FACE VIEW

NOTES:

1. MATERIAL: AS NOTED
2. FINISH: AS NOTED
3. ELECTRICAL:
VOLTAGE: 4P: 500V PER IEC60664
600V PER UL2237
CURRENT: 32A
4. TEMP RATING: -20°TO +90°C
5. PROTECTION: IP67 (WHEN MATED)
6. COUPLING THREAD: 1 3/8-16 UN
7. UL LISTED FILE: E258922
8. ALL DIMS ARE FOR REFERENCE UNLESS NOTED OR TOLERANCED OTHERWISE

9	WIRE IDENTIFIER LABEL	VINYL	BLACK ON WHITE
8	FLAG LABEL	VINYL	YELLOW
7	1/2-14 NPT LOCKNUT	STEEL	ZINC PLATE
6	GASKET	NEOPRENE	BLACK
5	POTTING	EPOXY	BLACK
4	RECEPTACLE SHELL	ALUMINUM	ANODIZED
3	MALE INSERT	TPE	BLACK
2	CONTACT PIN	COPPER ALLOY	GOLD PLATED
1	#10-1 WIRE UL1015	PVC JACKET	SEE FACE VIEW
ITEM	DESCRIPTION	MATERIAL	FINISH



① RECOMMENDED KNOCKOUT

FUNCTIONAL SYMBOLS		THIS DRAWING CONTAINS INFORMATION THAT IS PROPRIETARY TO MOLEX ELECTRONIC TECHNOLOGIES, LLC AND SHOULD NOT BE USED WITHOUT WRITTEN PERMISSION		CURRENT REV DESC: LABEL DIM WAS 7.00, ADD 90 DEG FOR KEY, WIRE DIAGRAM & KNOCKOUT HOLE, UPDATE BORDER ADD P/N LEGEND			
FA=0	DIMENSION UNITS	SCALE					
FC=0	INCH/MM	1:1					
FD=0	GENERAL TOLERANCES (UNLESS SPECIFIED)		EC NO: 646752				
DIVISIONAL SYMBOLS	4 PLACES	±----	±----	DRWN: RSTONE	2020/10/07		
	3 PLACES	±----	±----	CHK'D: CCHRSTKA	2020/10/09		
	2 PLACES	±----	±----	APPR: BWOODMAN	2020/10/12		
	1 PLACE	±----	±----	INITIAL REVISION:			
	0 PLACES	±----	±----	DRWN: MODELL	2008/04/28		
	ANGULAR TOL ±	----	°	APPR: JFMURPHY	2008/05/22		
	DRAFT WHERE APPLICABLE MUST REMAIN WITHIN DIMENSIONS	THIRD ANGLE PROJECTION	DRAWING	SERIES	MATERIAL NUMBER	CUSTOMER	SHEET NUMBER
			C-SIZE	130066	SEE P/N LEGEND	GM	1 OF 1

molex

BRAD POWER RECEPTACLE
QC, MALE, 4 POLE, SINGLE KEY, 10AWG

PRODUCT CUSTOMER DRAWING

DOCUMENT NUMBER

SD-130066-006

DOC TYPE/DOC PART/REVISION
PSD 001 D