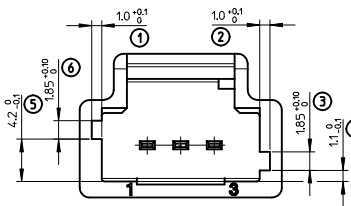
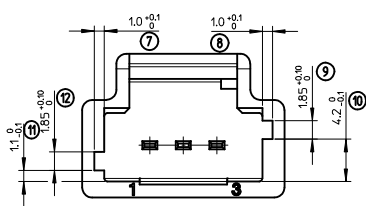


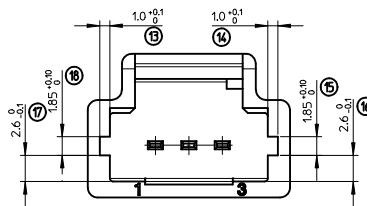
CODINGS



COLOR: GREEN

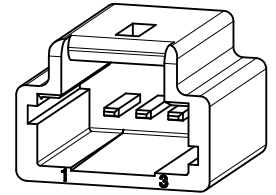


COLOR: BLACK

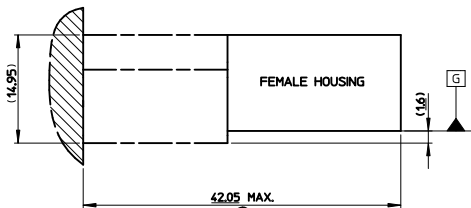


COLOR: WHITE

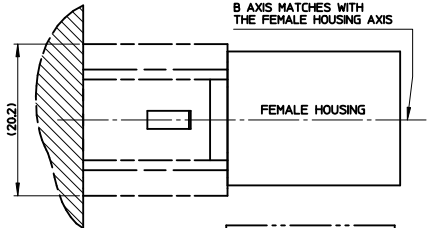
**ISO VIEW
(GREEN CODING)**



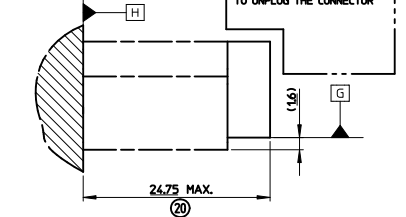
OVERALL DIMENSIONS



B AXIS MATCHES WITH THE FEMALE HOUSING AXIS



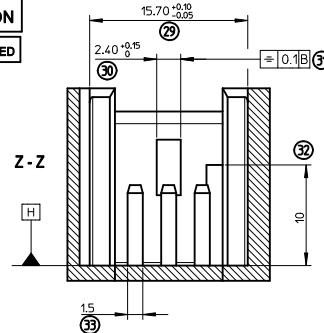
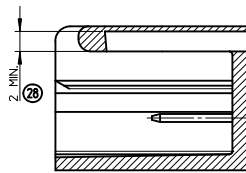
MINIMUM FREE AREA AVAILABLE TO UNPLUG THE CONNECTOR



HEADER'S DEFINITION

GREEN CODING REPRESENTED

**X - X
VARIABLE**



NOTES:

MALE TERMINALS:

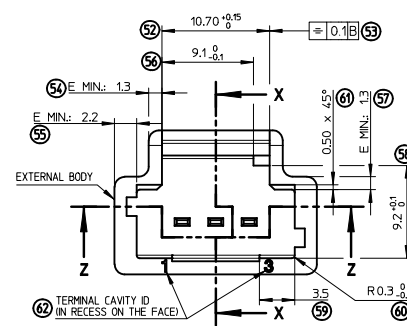
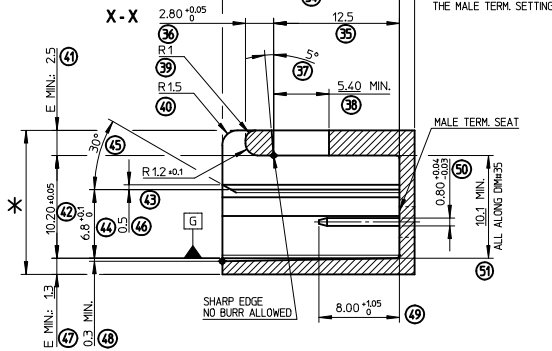
- MALE TERMINALS RESISTANCE: 100N MIN IN MALE TERM. AXIS.
- MATERIAL: COPPER, COPPER ALLOY OR BRASS.
- FINISHES: TIN PLATED 24 MIN.

HEADER:

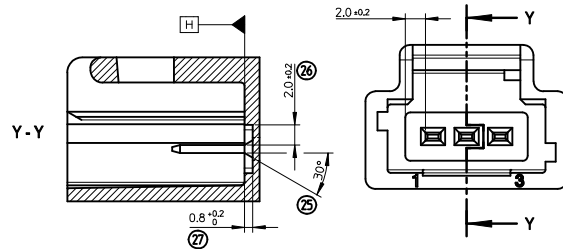
- RADI WITHOUT DIM: R=0.3MM
- E MIN: MINIMUM MATERIAL THICKNESS RECOMMENDED FOR SPECIFIED MATERIAL
- MATERIAL: PBT (RECOMMENDED) 63
- * WARPING: 0.5MM MAX. ACCEPTED ON "X" DIM. WITH ANOTHER EXTERNAL SHAPE AS DRAWN WHEN PLUGGED.

MATES WITH:

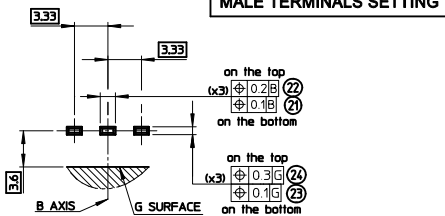
- MOLEX CONNECTORS 98817-103X



MALE TERMINALS VARIABLE SETTING



MALE TERMINALS SETTING



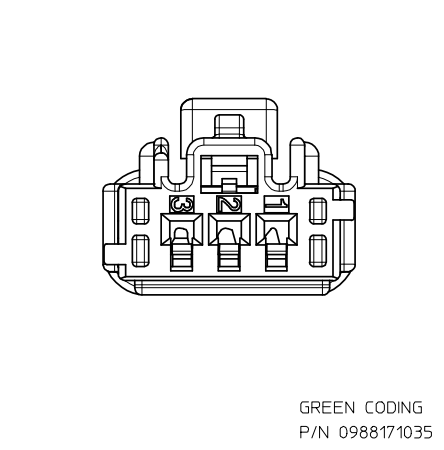
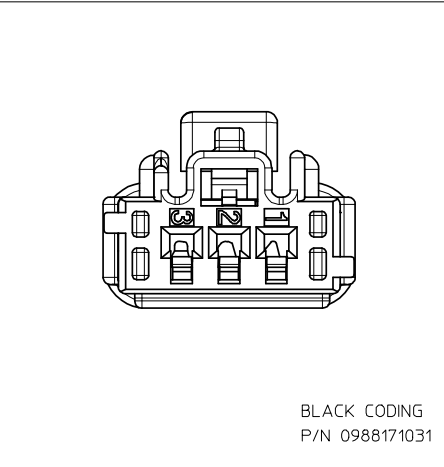
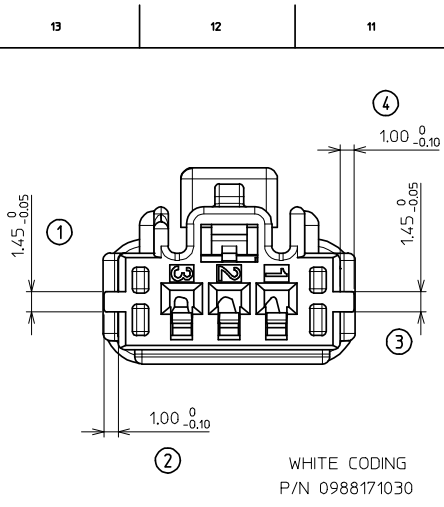
REV.	FIRST	LAST	DELETED	SUPERSEDED
A	1	63		

REV.	DESCRIPTION	QUALITY SYMBOLS	GENERAL TOLERANCES (UNLESS SPECIFIED)	DIMENSION STYLE	SCALE	DESIGN UNITS	FIRST ANGLE PROJECTION
A	PRINT 1ST RELEASE EC NO: G2012-0780 DRAWING DESBRUERES 2012/04/18 CHKD: JDUCLLOS 2012/04/18 APPROV: OPLESSIS 2012/04/23		4 PLACES ± --- ± --- 3 PLACES ± --- ± --- 2 PLACES ± 0.1 ± --- 1 PLACE ± 0.1 ± --- 0 PLACE ± ±	MM ONLY	4:1	METRIC	FIRST ANGLE PROJECTION
			ANGULAR ± 2 °				
			DRAFT WHERE APPLICABLE MUST REMAIN WITHIN DIMENSIONS				

REV.	MODIFICATIONS	TITLE	DOCUMENT NO.	SHEET NO.
A	-PRINT FIRST RELEASE	3W INTERFACE 1.5 TERM. (FOR FEMALE HOUSING)	SD-98815-003	1 OF 1

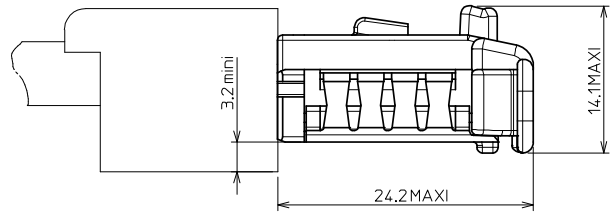
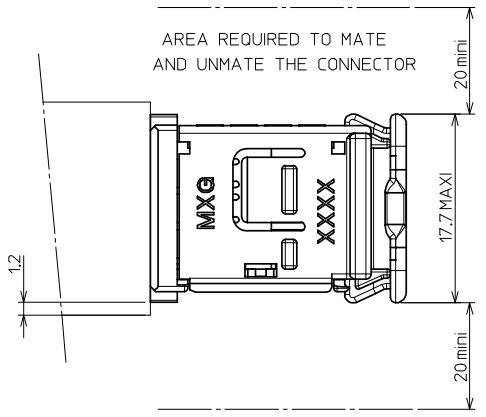


THIS DRAWING CONTAINS INFORMATION THAT IS PROPRIETARY TO MOLEX INCORPORATED AND SHOULD NOT BE USED WITHOUT WRITTEN PERMISSION



CODING 4:1

HANDLING AREA

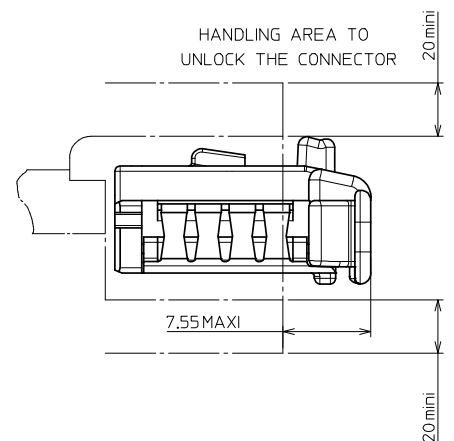


NOTE : 1 - The using conditions of the hinge are showed in the MOLEX specification n°AS-98821-001.

- 2 - Female terminal used : SCC RCPT TERM 1.5mm
 - Range 1 : 0988971109 (0.22 mm² to 2x0.22 mm²)
 - Range 2 : 0988971119 (0.5 mm² to 1 mm² included)
 - Range 3 : 0988971129 (2x0.5 mm² to 2 mm² included)

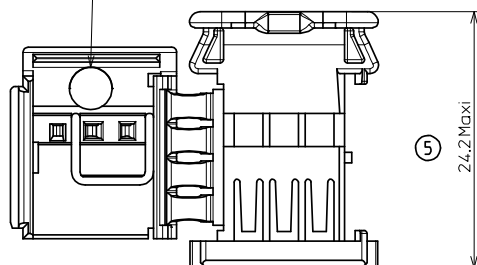
3 - Female connector will mate with male connector P/N 098822103x.

AREA REQUIRED WHEN THE CONNECTOR IS MATED

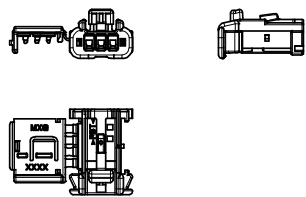


FIRST RELEASE EC NO: G2007-0386 DRAWN: LPOUCHAUD 2008/03/10 CHKD: YIGEL 2008/03/10 APPR: LSTICKEIR 2008/03/10	QUALITY SYMBOLS 	GENERAL TOLERANCES (UNLESS SPECIFIED)		DIMENSION STYLE MM ONLY	SCALE 3:1	DESIGN UNITS METRIC	THIRD ANGLE PROJECTION	
		4 PLACES ± --- ± ---	mm INCH	DRAWN BY LPOUCHAUD	DATE 2008/02/21	TITLE NSCC RCPT HSG 1.5 3CKT		
		3 PLACES ± --- ± ---		CHECKED BY YIGEL	DATE 2008/02/22	MOLEX INCORPORATED		
		2 PLACES ± 0.05 ± ---		APPROVED BY LSTICKEIR	DATE 2008/02/27	DOCUMENT NO. SD-98817-002	SHEET NO. 1 OF 2	
1 PLACE ± 0.1 ± ---		ANGULAR ± 1°		DRAFT WHERE APPLICABLE MUST REMAIN WITHIN DIMENSIONS			SEE CHART	
MATERIAL NO.		THIS DRAWING CONTAINS INFORMATION THAT IS PROPRIETARY TO MOLEX INCORPORATED AND SHOULD NOT BE USED WITHOUT WRITTEN PERMISSION						

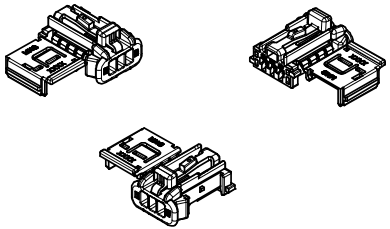
DATUM MONTH/YEAR



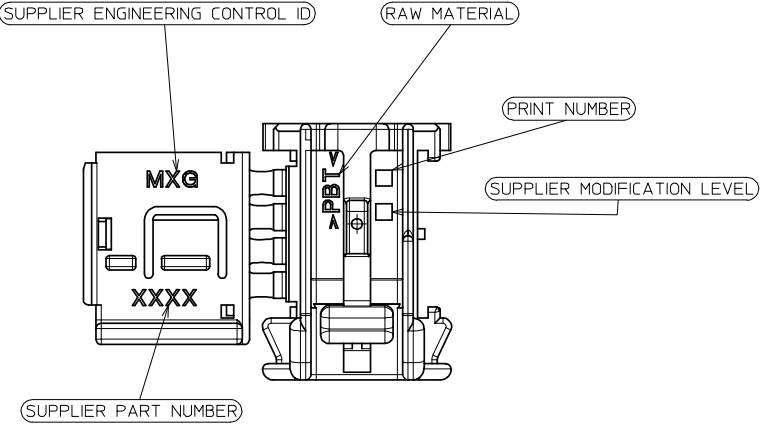
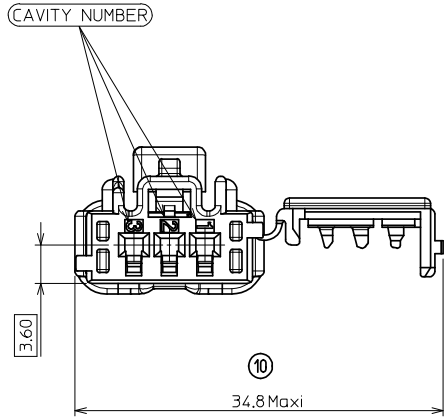
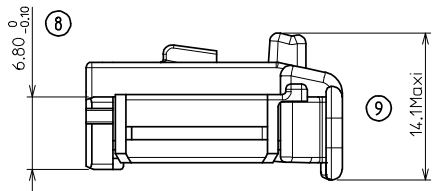
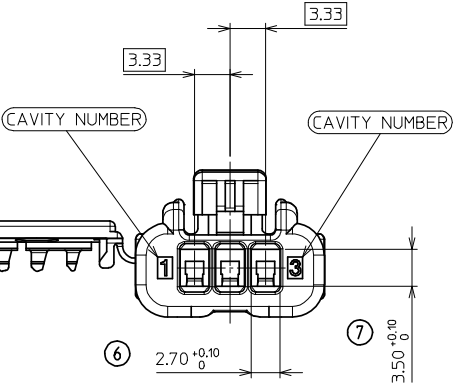
5 24.2 Max



1:1



1:1



GREEN CODING (P/N 0988171035) IS SHOWN.

NSCC Rcpt Hsg 15 3CKT		0988171035	Green	POLYESTER (PBT)	2.149 g			
		0988171031	Black					
		0988171030	White					
Description		Part-Number	Color	Raw Material	Weight effective			
FIRST RELEASE EC NO: G2007-0386 DRAWN: LPOUCHAUD 2008/03/10 CHKD: YIGEL 2008/03/10 APPR: LSTICKEIR 2008/03/10 REV A	QUALITY SYMBOLS 	GENERAL TOLERANCES (UNLESS SPECIFIED)		DIMENSION STYLE	SCALE	DESIGN UNITS	THIRD ANGLE PROJECTION NSCC RCPT HSG 1.5 3CKT MOLEX INCORPORATED SD-98817-002 SHEET NO. 2 OF 2	
				MM ONLY	1:1	METRIC		
		4 PLACES	± ---	± ---	DRAWN BY	DATE		TITLE
		3 PLACES	± ---	± ---	LPOUCHAUD	2008/02/21		
		2 PLACES	± 0.05	± ---	CHECKED BY	DATE		
1 PLACE	± 0.1	± ---	YIGEL	2008/02/22				
ANGULAR ± 1 °		APPROVED BY	DATE					
DRAFT WHERE APPLICABLE MUST REMAIN WITHIN DIMENSIONS		LSTICKEIR	2008/02/27					
		MATERIAL NO.						
		SEE CHART						
		SIZE	THIS DRAWING CONTAINS INFORMATION THAT IS PROPRIETARY TO MOLEX INCORPORATED AND SHOULD NOT BE USED WITHOUT WRITTEN PERMISSION					
		A 2						