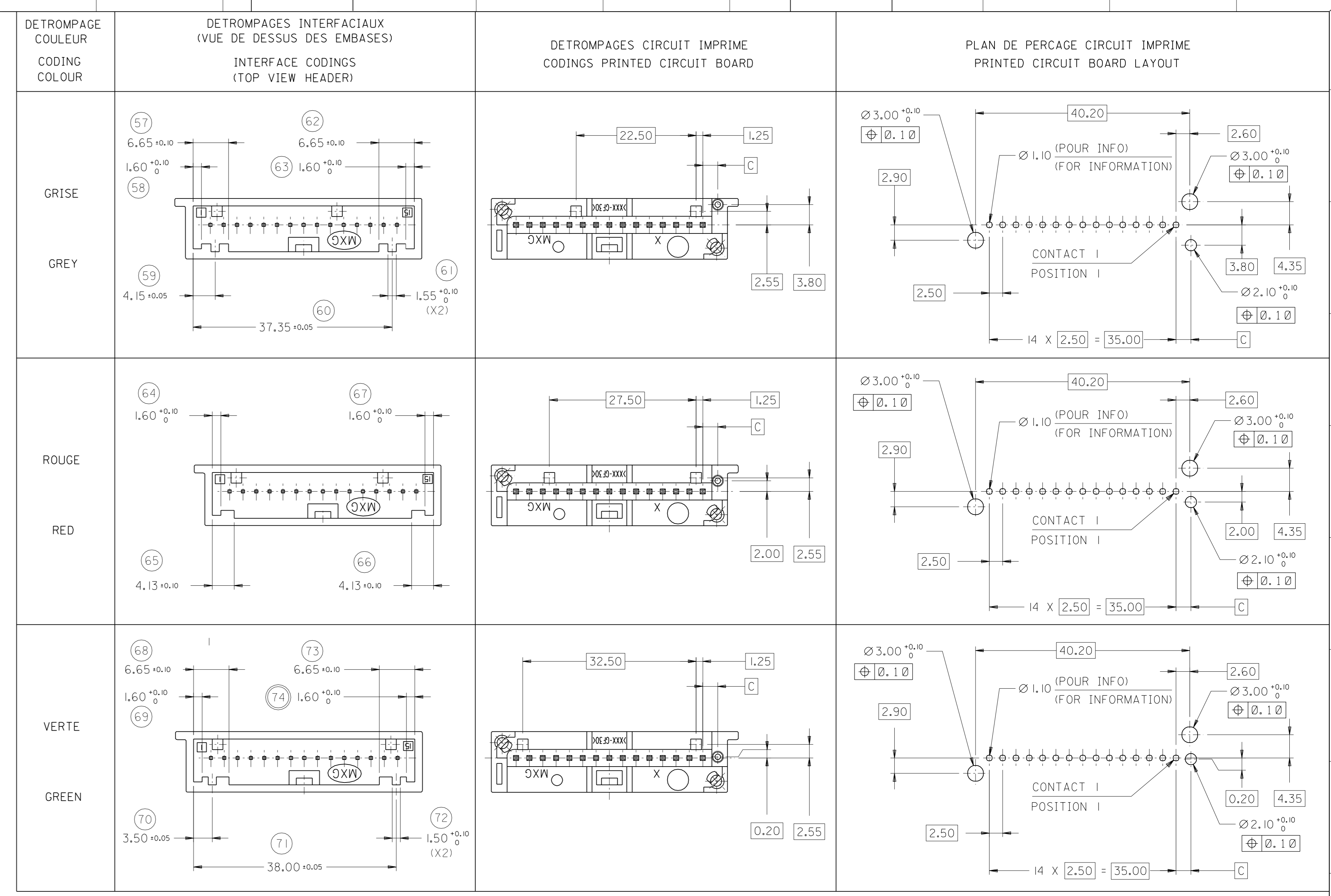
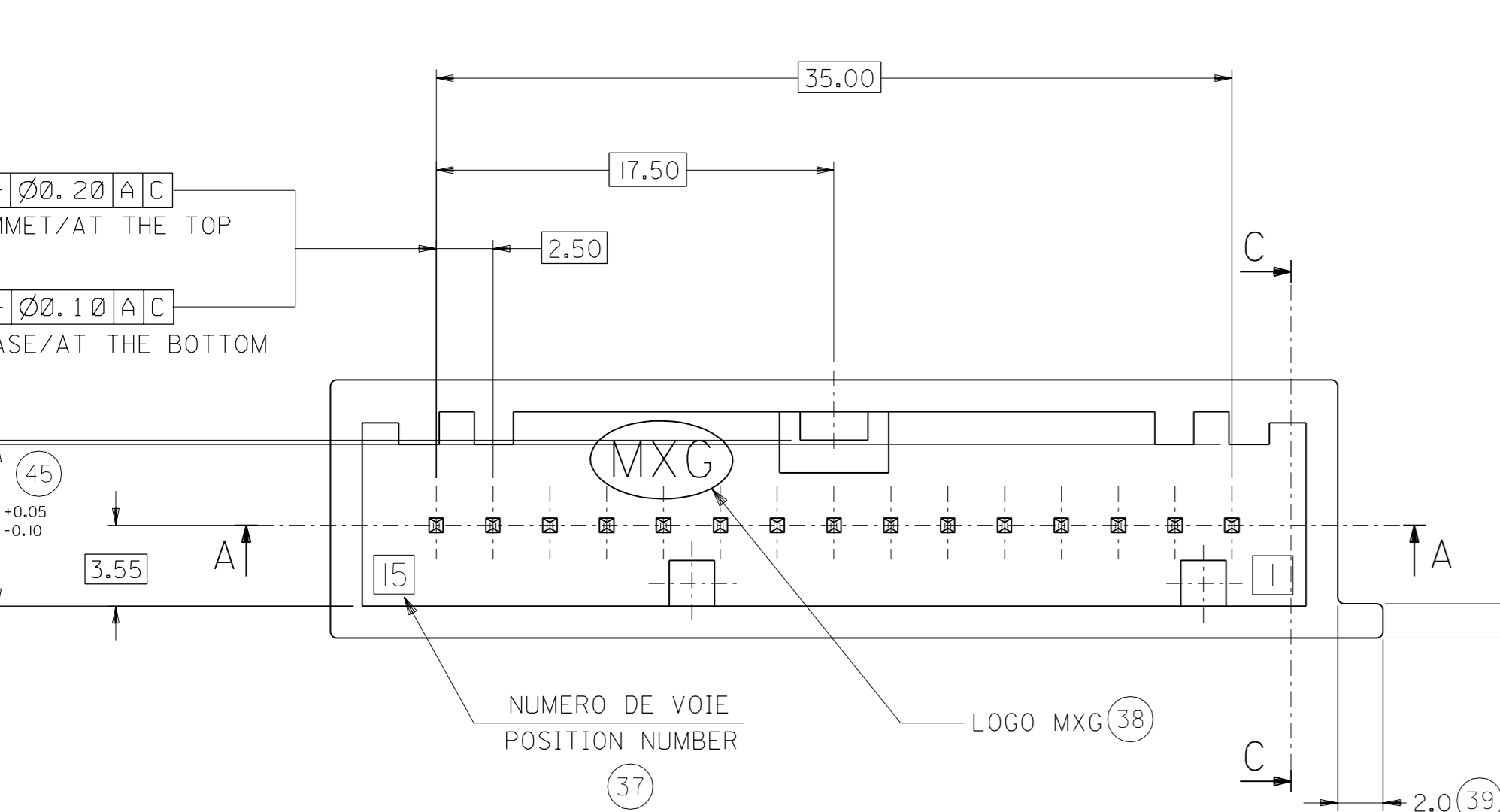
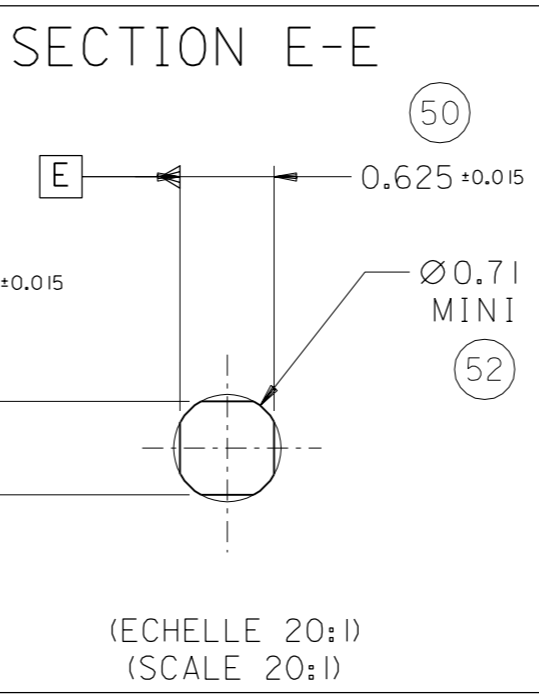
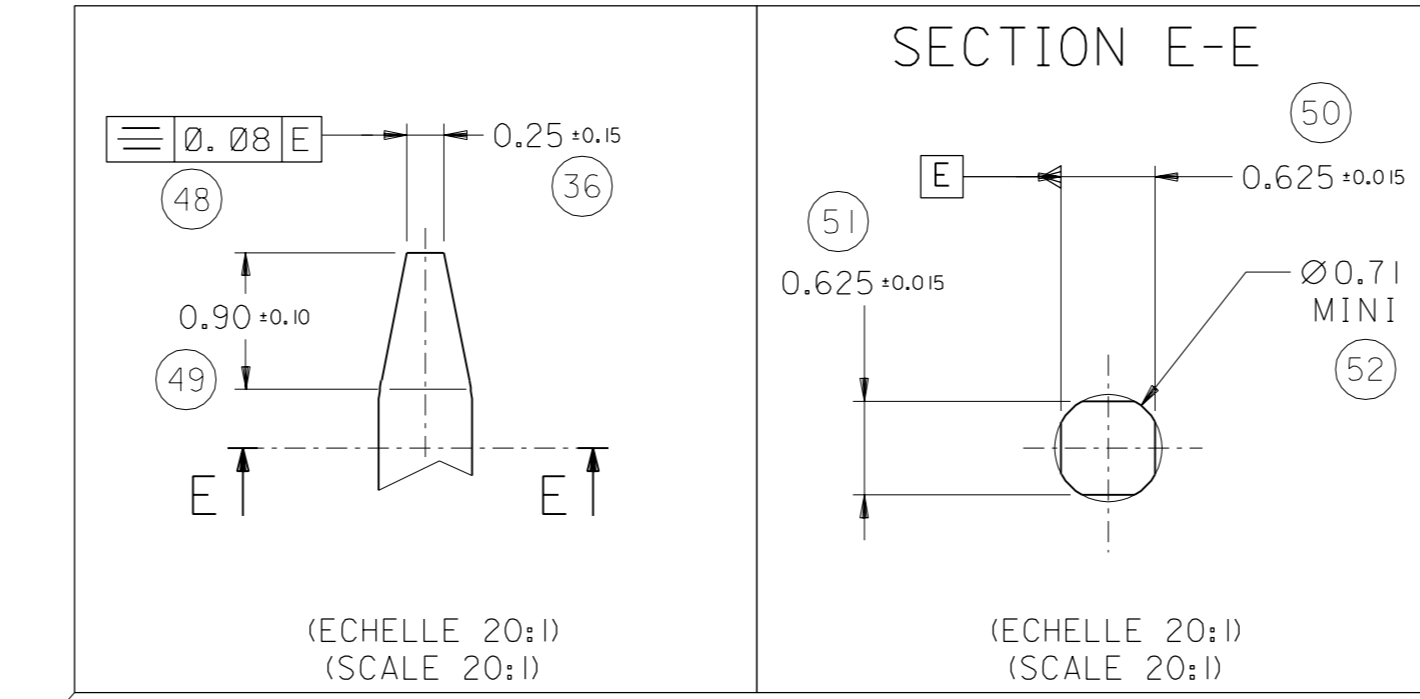
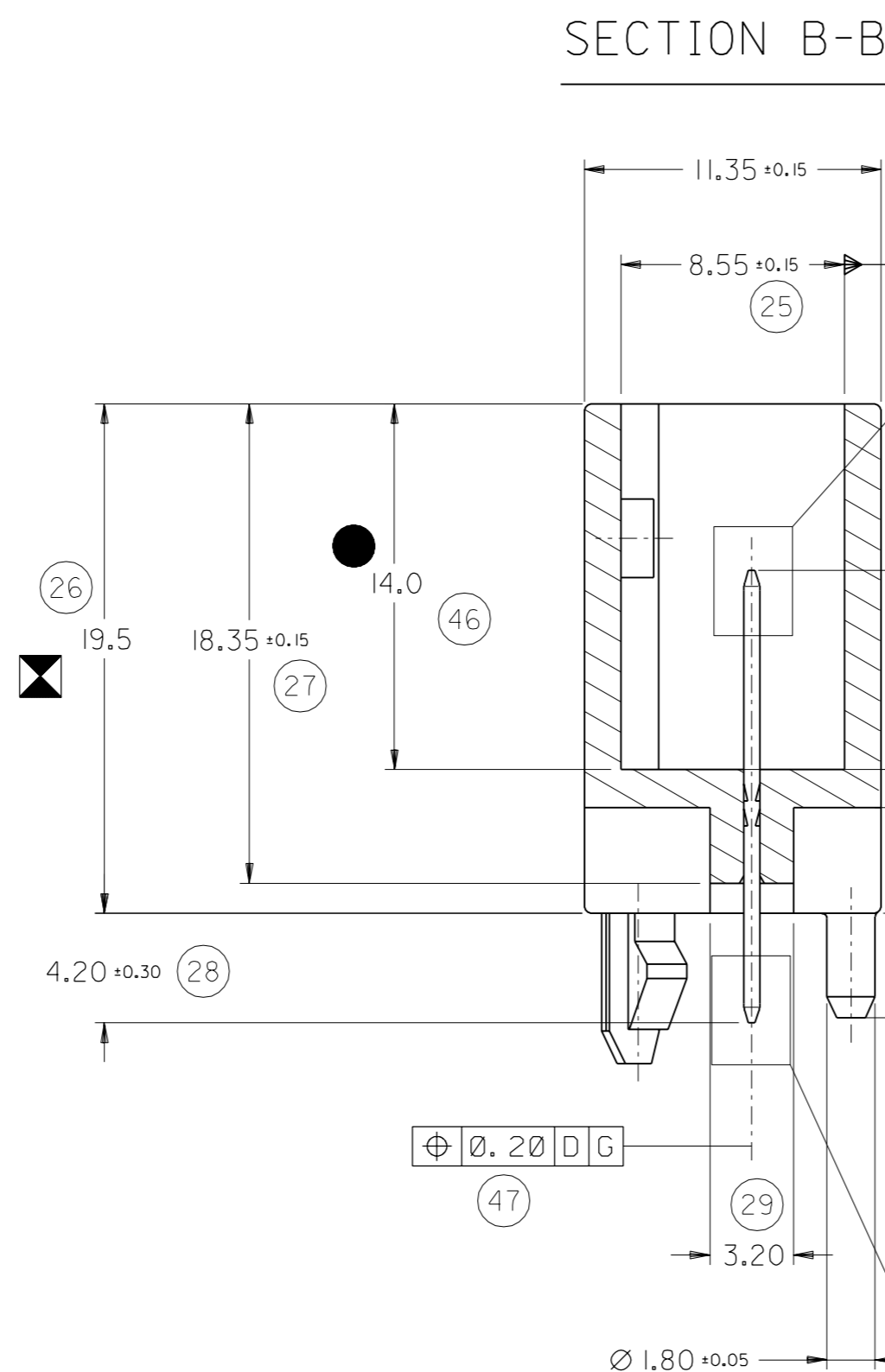
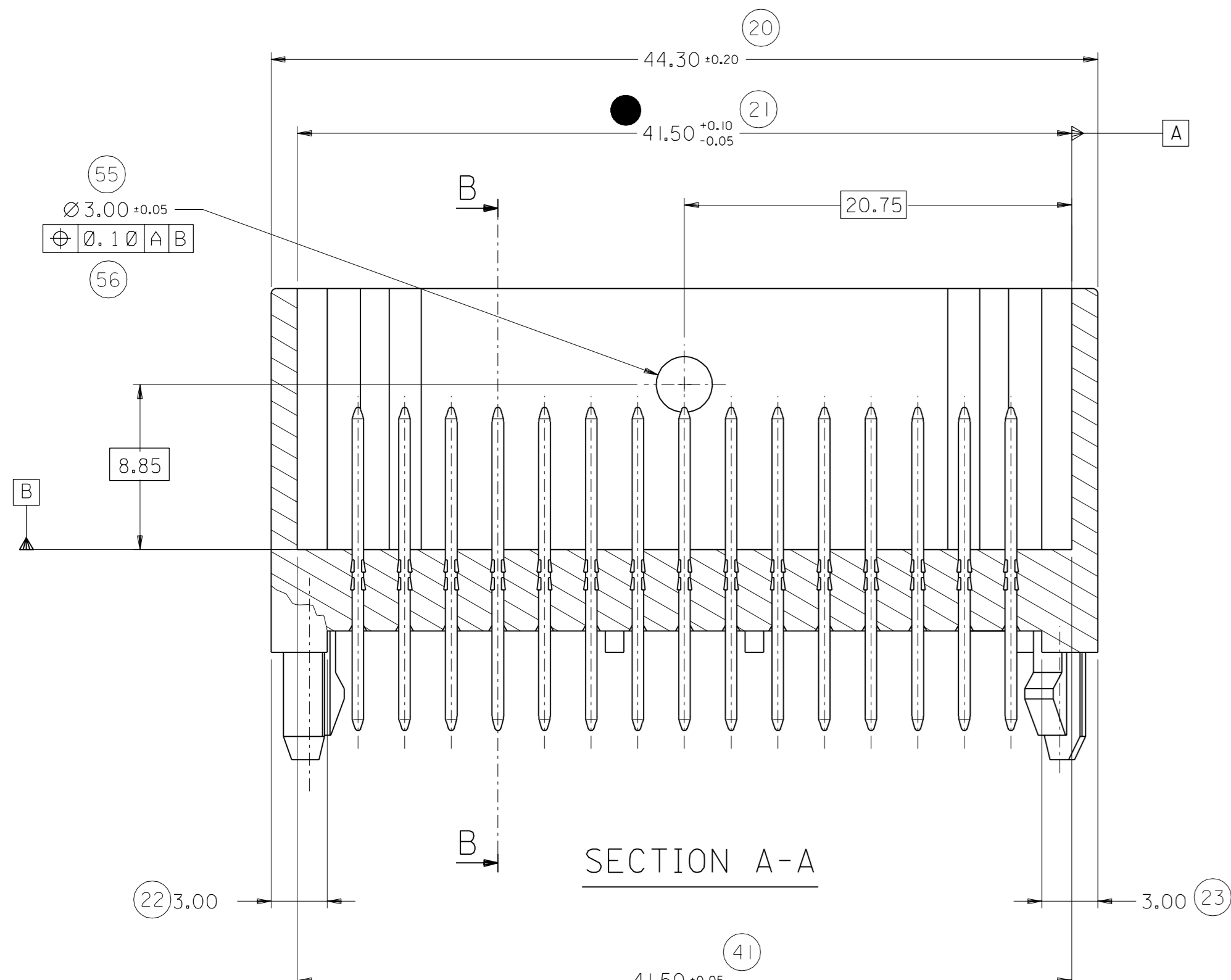
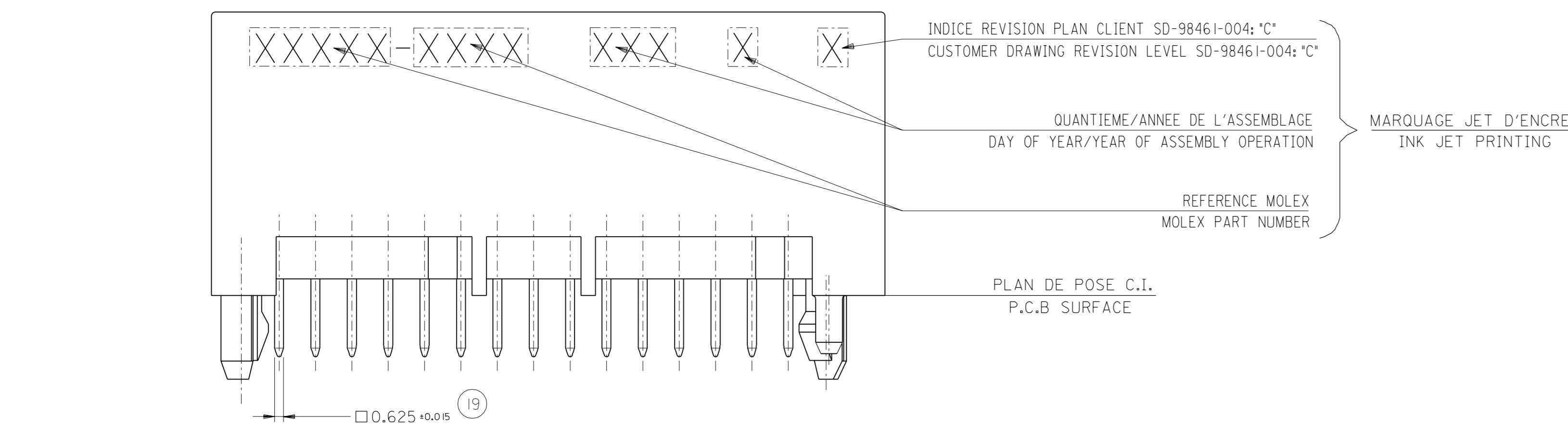
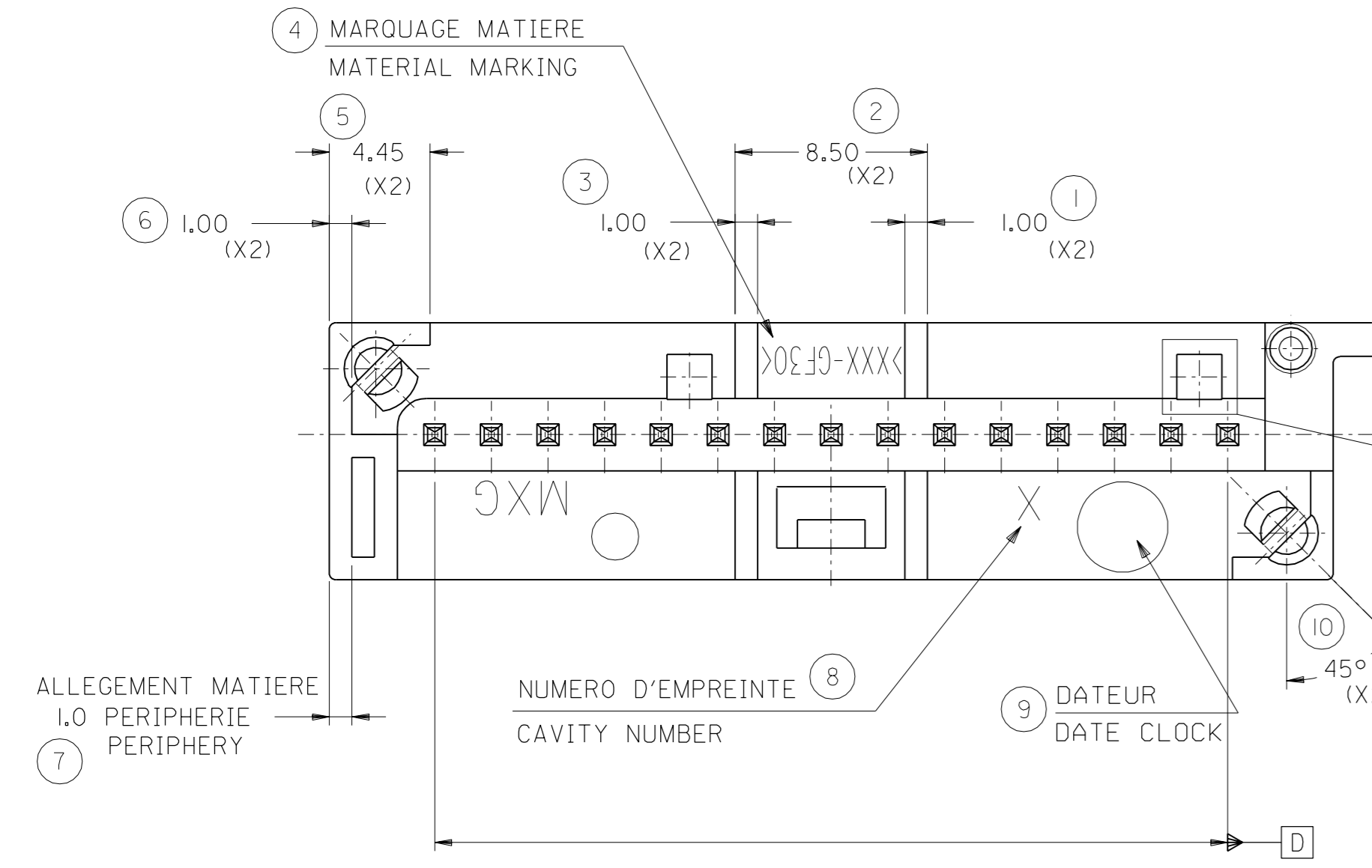
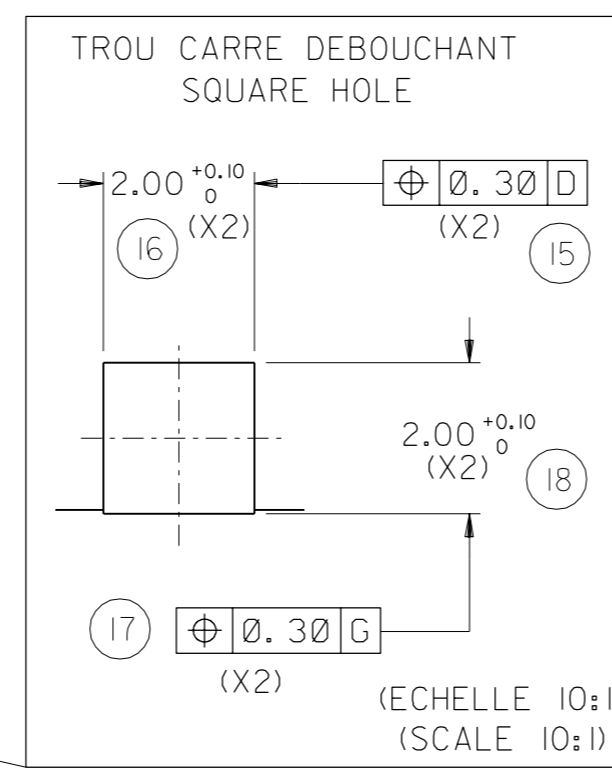
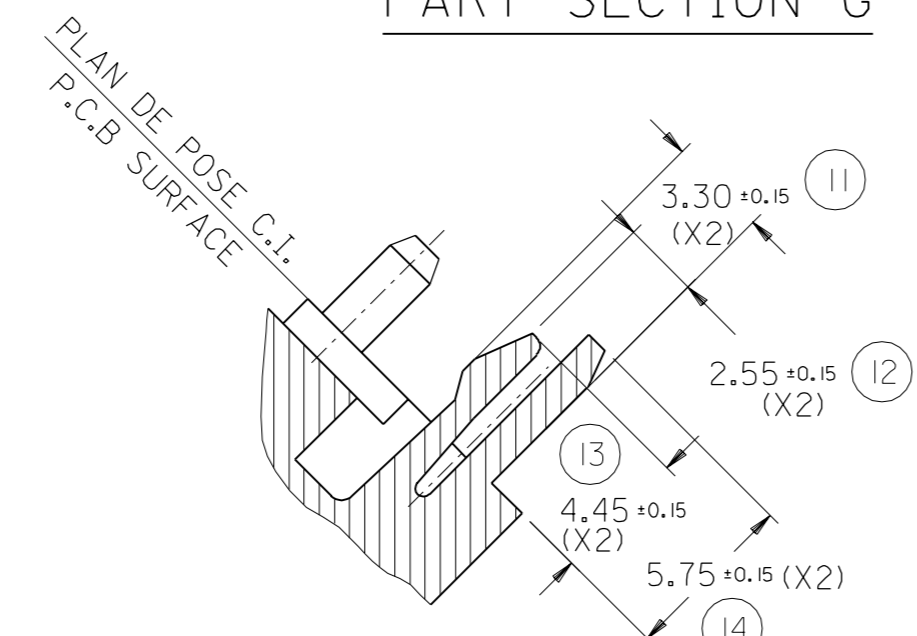


SECTION PARTIELLE G
PART SECTION G



COULEUR COLOUR	MATIERE MATERIAL	REFERENCE MOLEX MOLEX PART NUMBER	DIM. C	PORTE-CLIP ASSOCIE FEMALE MODULE ASSOCIATED
GRISE GREY	PBT-30GF	98461-1111	3.50	
ROUGE RED	PBT-30GF	98461-1112	3.50	77 03 297 766
VERTE GREEN	PBT-30GF	98461-1113	3.50	77 03 297 765
	PCT-30GF	98461-1123	2.80	77 03 297 767

NOTES:
 1- LE CODAGE REPRESENTE CORRESPOND A LA COULEUR GRISE (MATIERE PCT)
 FOR ILLUSTRATION PURPOSES GREY COLOUR PART IS SHOWN (PCT MATERIAL)
 2- PIECE CONFORME AU PLAN D'EMPREINTE RENAULT REF.: 7 710 001 006
 PART IN ACCORDANCE WITH INTERFACE DRAWING RENAULT: 7 710 001 006.
 3- EPAISSEUR CIRCUIT IMPRIME: 150 +/- 0.14 mm.
 PRINTED CIRCUIT BOARD THICKNESS: 150 +/- 0.14 mm.
 4- RETENTION DES CONTACT DANS L'ISOLANT: 25N mini.
 PINS RETENTION IN HOUSING: 25N min.
 5- EPAISSEUR D'ETAMAGE CONTACT: 1 A 3 microns m.
 TIN PLATING THICKNESS OF PINS: 1 TO 3 microns m.
 6- CLIPSAGE DE L'EMBASE SUR CIRCUIT IMPRIME:
 HEADER FIXTURE OF PRINTED CIRCUIT BOARD.
 EFFORT D'INSERTION: 10 A 30N.
 INSERTION FORCE: 10 TO 30N.
 RETENTION FORCE: 30N min.
 7- SPECIFICATION D'EMBALLAGE : PP-98461-010.
 PACKAGING SPECIFICATION : PP-98461-010.

INDICATION DIMENSIONS S.P.C
 DENOTES S.P.C DIMENSIONS
 INDICATION DIMENSIONS FONCTIONNELLES
 DENOTES FUNCTIONAL DIMENSIONS
 QUANTITE PAR FEUILLE INDIVIDUELLE
 QUANTITY PER INDIVIDUAL SHEET
 = 1 PLACE(S) ● = 3 PLACE(S)

EC NO. G-2001-0061 DRAWN: CBO 00/11/30 CHK: / / / / APPR: / / / /	QUALITY SYMBOLS MAJOR CRITICAL C	GENERAL TOLERANCES: (UNLESS SPECIFIED)	SCALE 4:1	DESIGN UNITS <input checked="" type="checkbox"/> mm <input type="checkbox"/> INCH	FIRST ANGLE PROJECTION	DIMENSIONS: <input type="checkbox"/> mm <input type="checkbox"/> INCH <input checked="" type="checkbox"/> mm ONLY	SHT REV
		4 PLACES ±0. ±. 3 PLACES ±0. ±. 2 PLACES ±0.10 ±. 1 PLACE ±0.15 ±. ANGULAR: ± 2°	DRAWN BY & DATE PGR 98/09/14	CHECKED BY & DATE PDE / /	APPROVED BY & DATE CBO / /	CAD FILENAME S98461X1.DGN	TITLE: EMBASE 15 VOIES CMS HEADER 15 WAY SMT CUSTOMER DRAWING
DRAFT WHERE APPLICABLE MUST REMAIN WITHIN DIMENSIONS		THIS DRAWING CONTAINS INFORMATION THAT IS PROPRIETARY TO MOLEX INCORPORATED AND SHOULD NOT BE USED WITHOUT WRITTEN PERMISSION.		MATERIAL NO. SEE CHART		DRAWING NO. SD-98461-004	SHEET NO. 1 OF 1