

NOTES :

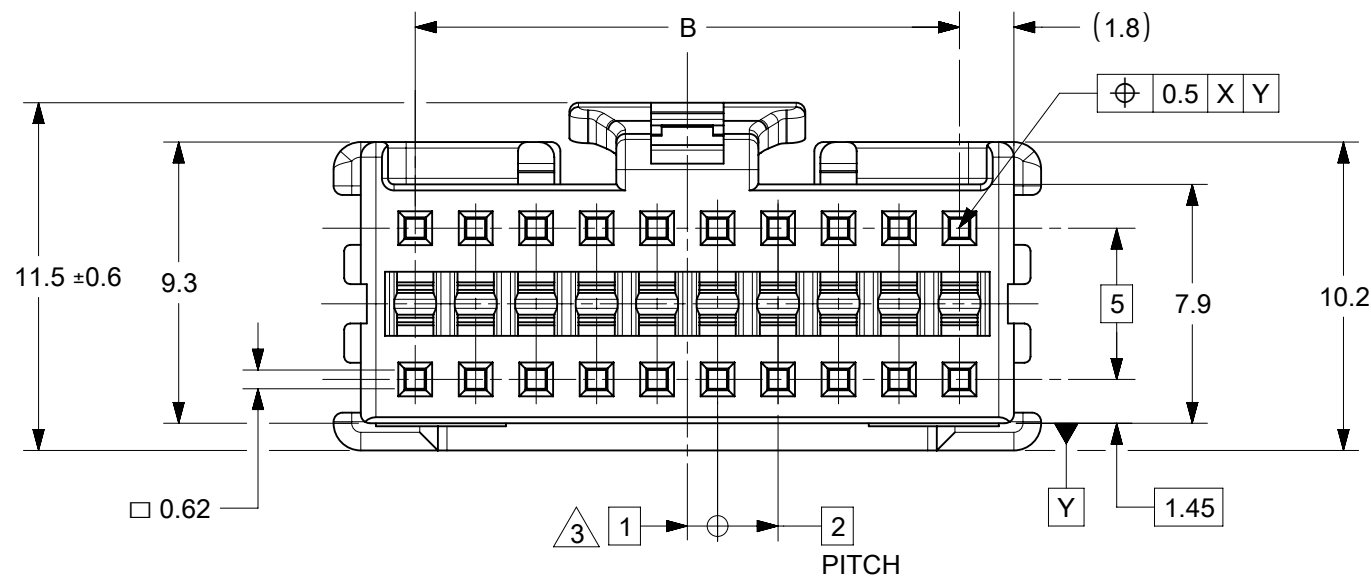
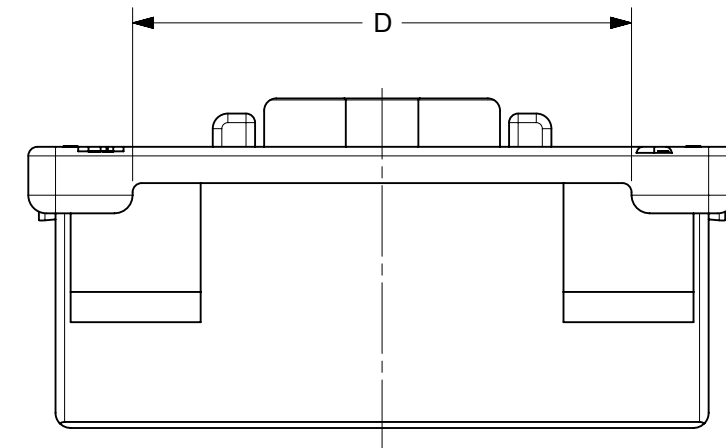
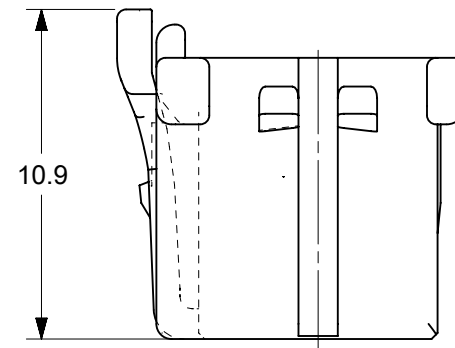
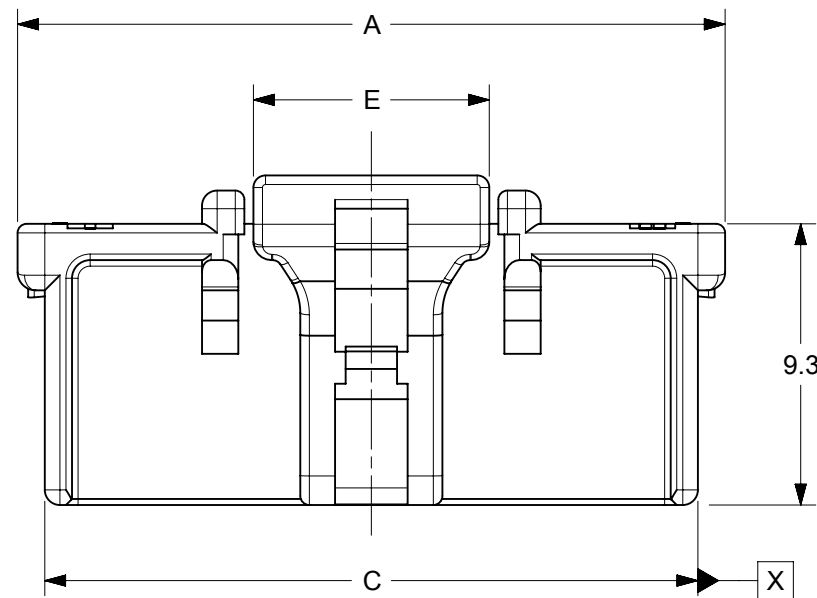
- ① APPLICABLE TERMINAL : SERIES 56134, 59370
- ② MATE WITH : SERIES 55917, 55959
- ③ APPLY FOR (CIRCUIT/2)=EVEN
- ④ MATERIAL NO.

51353-**0*

CIRCUIT SIZE COLOR

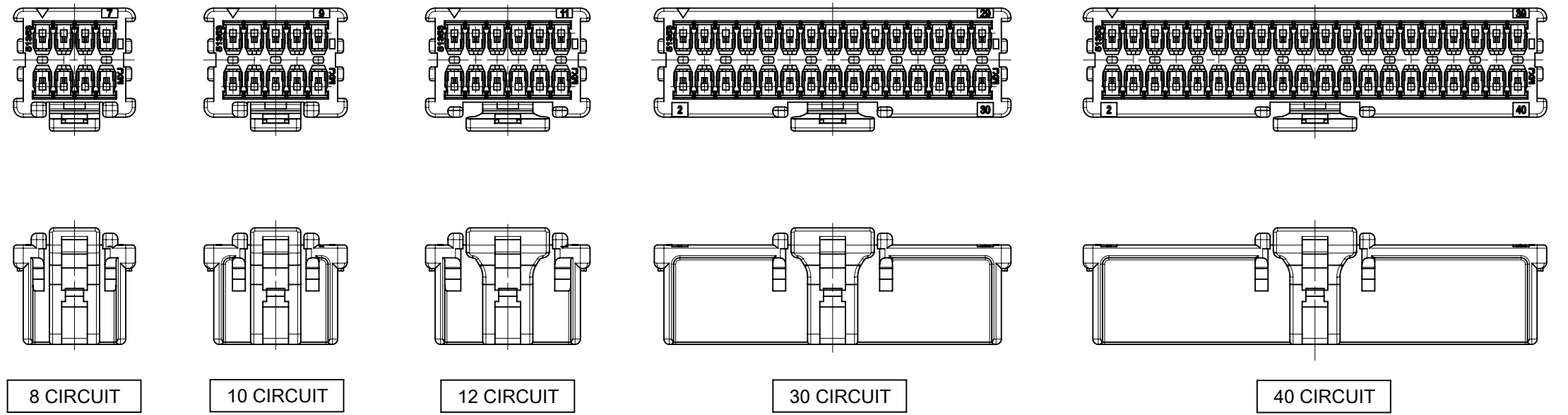
| | |
|----------------|---|
| NATURAL(WHITE) | 0 |
| BLACK | 1 |
| RED | 2 |
| YELLOW | 3 |
| BLUE | 4 |
| GREEN | 6 |
| BROWN | 7 |
| ORANGE | 8 |

- ⑤ LOCK SIDE CKT.NO. DIDN'T INDICATED 8~14CKT, INDICATE 16~40CKT.
- ⑥ MATERIAL : 66 NYLON, UL94V-0

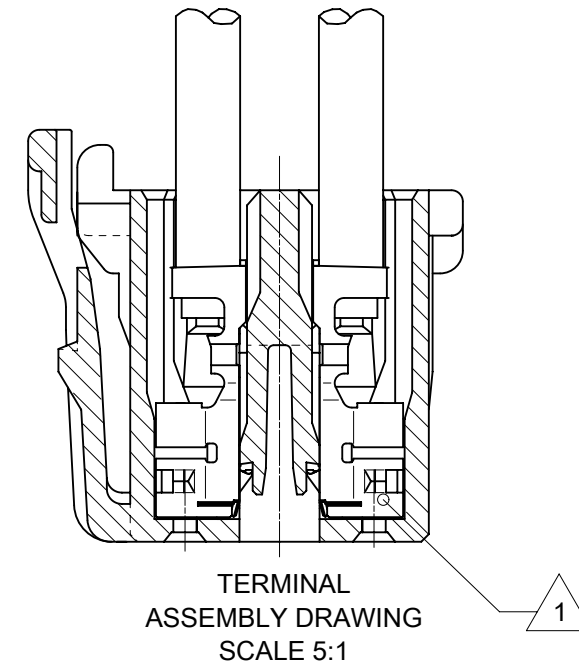


THIS DRAWING CONTAINS INFORMATION THAT IS PROPRIETARY TO MOLEX ELECTRONIC TECHNOLOGIES, LLC AND SHOULD NOT BE USED WITHOUT WRITTEN PERMISSION

| | | | | | | |
|--|--------|--|---------|--|-----------------|----------------|
| DIMENSION UNITS | SCALE | CURRENT REV DESC: OBSOLETE PART NUMBERS AS PER PCN#512131 AND REPLACED 513530800 001 PDM WITH 513530800 002 PDM. | | molex | | |
| mm | NTS | | | | | |
| GENERAL TOLERANCES (UNLESS SPECIFIED) | | EC NO: 727779 | | MICROCLASP 2.0 W-B CONN. DUAL ROW RCPT HSG | | |
| ANGULAR TOL | ± 3.0° | DRWN: ANIKES1 2022/11/07 | | PRODUCT CUSTOMER DRAWING | | |
| 4 PLACES | ± | CHKD: GGA 2022/11/29 | | DOCUMENT NUMBER | | |
| 3 PLACES | ± | APPR: GGA 2022/11/29 | | SD-51353-002 | | |
| 2 PLACES | ± 0.2 | INITIAL REVISION: | | DOC TYPE | DOC PART | REVISION |
| 1 PLACE | ± 0.2 | DRWN: N.ITO 2001/12/17 | | PSD | 001 | D1 |
| 0 PLACES | ± 0.2 | APPR: T.YAMAGUCHI 2002/10/22 | | SHEET NUMBER | | |
| DRAFT WHERE APPLICABLE MUST REMAIN WITHIN DIMENSIONS | | THIRD ANGLE PROJECTION | DRAWING | SERIES | MATERIAL NUMBER | CUSTOMER |
| | | | B-SIZE | 51353 | SEE TABLE | GENERAL MARKET |
| | | | | | | 1 OF 2 |



VIEW OF 8,10,12,30,40 CIRCUIT
(2:1)



TERMINAL
ASSEMBLY DRAWING
SCALE 5:1

| | | | | | | |
|------|----------------|------|----|------|------|-----|
| 40 | 51353-400* | 43.4 | 38 | 41.6 | 36.5 | 7.8 |
| 38 | 51353-380* | 41.4 | 36 | 39.6 | 34.5 | 7.8 |
| 36 | 51353-360* | 39.4 | 34 | 37.6 | 32.5 | 7.8 |
| 34 | 51353-340* | 37.4 | 32 | 35.6 | 30.5 | 7.8 |
| 32 | 51353-320* | 35.4 | 30 | 33.6 | 28.5 | 7.8 |
| 30 | 51353-300* | 33.4 | 28 | 31.6 | 26.5 | 7.8 |
| 28 | 51353-280* | 31.4 | 26 | 29.6 | 24.5 | 7.8 |
| 26 | 51353-260* | 29.4 | 24 | 27.6 | 22.5 | 7.8 |
| 24 | 51353-240* | 27.4 | 22 | 25.6 | 20.5 | 7.8 |
| 22 | 51353-220* | 25.4 | 20 | 23.6 | 18.5 | 7.8 |
| 20 | 51353-200* | 23.4 | 18 | 21.6 | 16.5 | 7.8 |
| 18 | 51353-180* | 21.4 | 16 | 19.6 | 14.5 | 7.8 |
| 16 | 51353-160* | 19.4 | 14 | 17.6 | 12.5 | 7.8 |
| 14 | 51353-140* | 17.4 | 12 | 15.6 | 10.5 | 7.8 |
| 12 | 51353-120* | 15.4 | 10 | 13.6 | 8.5 | 7.8 |
| 10 | 51353-100* | 13.4 | 8 | 11.6 | 6.5 | 4.7 |
| 8 | 51353-080* | 11.4 | 6 | 9.6 | 4.5 | 4.7 |
| CKT. | △ MATERIAL NO. | A | B | C | D | E |

| THIS DRAWING CONTAINS INFORMATION THAT IS PROPRIETARY TO MOLEX ELECTRONIC TECHNOLOGIES, LLC AND SHOULD NOT BE USED WITHOUT WRITTEN PERMISSION | | | | | | | | | |
|---|--------|--|-------------|------------|-----------------|----------------|----------|--|--------------|
| DIMENSION UNITS | SCALE | CURRENT REV DESC: OBSOLETE PART NUMBERS AS PER PCN#512131 AND REPLACED 513530800 001 PDM WITH 513530800 002 PDM. | | | | | | | |
| mm | NTS | <p>molex</p> <p>MICROCLASP 2.0 W-B CONN. DUAL ROW RCPT HSG</p> <p>PRODUCT CUSTOMER DRAWING</p> | | | | | | | |
| GENERAL TOLERANCES (UNLESS SPECIFIED) | | | | | | | | | |
| ANGULAR TOL | ± 3.0° | EC NO: | 727779 | 2022/11/07 | DOCUMENT NUMBER | | | | |
| 4 PLACES | ± | DRWN: | ANIKES1 | 2022/11/29 | SD-51353-002 | | | | |
| 3 PLACES | ± | CHKD: | GGA | 2022/11/29 | DOC TYPE | DOC PART | REVISION | | |
| 2 PLACES | ± 0.2 | APPR: | GGA | 2022/11/29 | PSD | 001 | D1 | | |
| 1 PLACE | ± 0.2 | INITIAL REVISION: | | | MATERIAL NUMBER | | | | |
| 0 PLACES | ± 0.2 | DRWN: | N.I.TO | 2001/12/17 | CUSTOMER | | | | |
| DRAFT WHERE APPLICABLE MUST REMAIN WITHIN DIMENSIONS | | APPR: | T.YAMAGUCHI | 2002/10/22 | SEE TABLE | GENERAL MARKET | | | SHEET NUMBER |
| THIRD ANGLE PROJECTION | | DRAWING | B-SIZE | SERIES | 51353 | 2 OF 2 | | | |