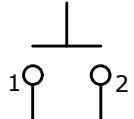
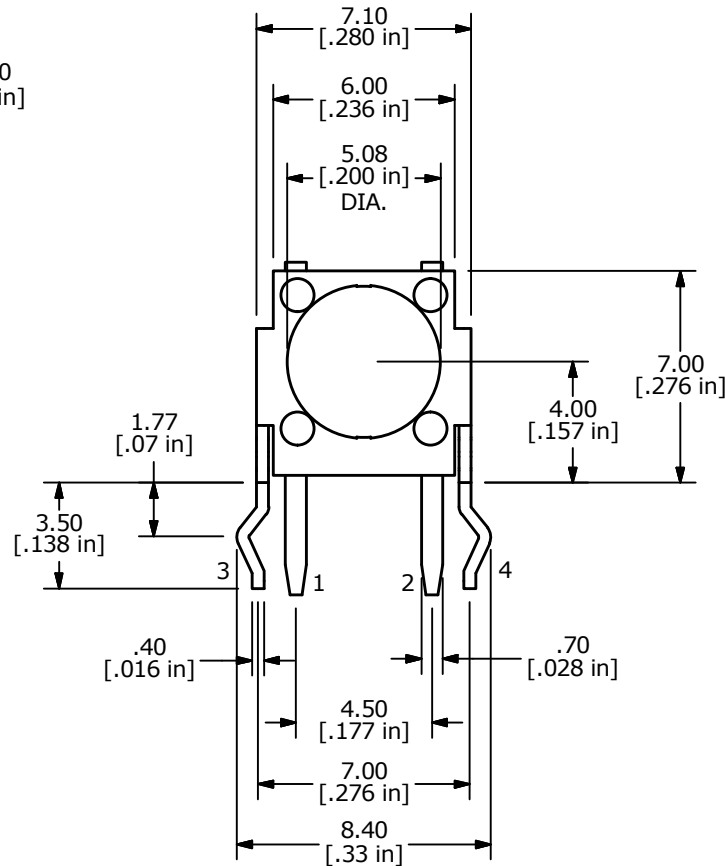


PCB MOUNTING

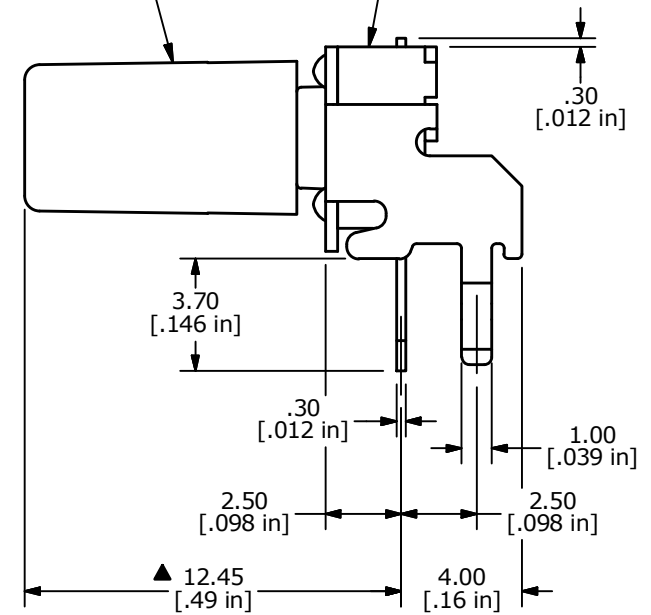


CIRCUIT DIAGRAM: SPST



BLACK CAP
1RBLK
(Q800300)

SWITCH
TL1105JAF100Q
(P010209)



NOTES:

1. ALL DIMENSIONS IN mm [INCH].
2. GENERAL TOLERANCE: X.X = ±0.4
X.XX = ±0.25
3. TERM. NOS. FOR REFERENCE ONLY.
4. RATING: 50mA @ 12VDC
- ▲ 5. OPERATING FORCE: 100±50 gms
6. TRAVEL: 0.25 +0.20/-0.10 mm
7. CONTACT RESISTANCE: 100 MILLI-OHMS MAX. (INITIAL)
8. MECHANICAL/ELECTRICAL LIFE: 100,000 CYCLES MIN.
- ▲ 9. CONTACTS: SILVER
10. ▲ DENOTES CRITICAL PARAMETER.
11. 2011/65/EU (ROHS) COMPLIANT.



C	23224	Correct switch p/n to P010209	2/16/18	MW
B	20600	AD TERMINAL NUMBERS, 12.45 WAS 11.53	05/10/12	drg
REV	PCR NO	DESCRIPTION	DATE	BY

TITLE TL1105JAF100Q1RBLK				
SCALE	DATE	DR	DWG	REV
4:1	9/20/2006	MW	XP0178A	C

THE INFORMATION CONTAINED IN THIS DOCUMENT IS PROPRIETARY TO E-SWITCH AND IS NOT TO BE COPIED OR TRANSFERRED