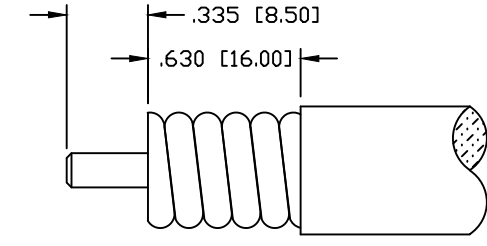
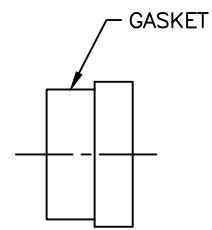
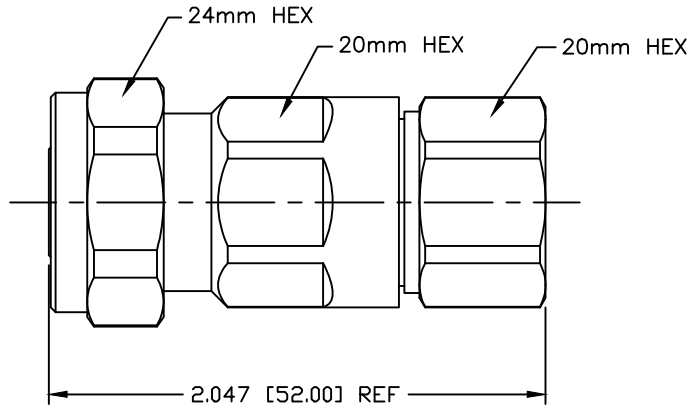


PART NO.		RFD-4195MC-H4		
REV	DESCRIPTION	DWN	DATE	APPROVED
B1	UPDATED NOTES	CZS	10/25/19	JDMc



RECOMMENDED STRIPING DIMENSIONS

SPECIFICATIONS:

IMPEDANCE: 50 Ohms
 FREQUENCY RANGE: 0-3 GHz
 VSWR: <1.15:1 THRU 3GHz
 PIM: <-155 dBc
 DIELECTRIC WITHSTANDING VOLTAGE: 2500V/AC
 INSULATION RESISTANCE: 10000 MΩ
 TEMPERATURE RANGE: -40°C TO 155°C
 MECHANICAL DURABILITY: 500 CYCLES
 FOR FSJ4-50B, SCF12-50J, SPF & SPO-500 CABLE

USE OF CABLE TRIM TOOL IS RECOMMENDED
 USE COMPATIBLE TRIM TOOL SUCH AS TRIM-SET-S12-D01

10	SHELL	1	BRASS	WHITE BRONZE
9	BACK NUT	1	BRASS	WHITE BRONZE
8	GASKET	1	RUBBER	---
7	RETAINING RING	1	BeCu	WHITE BRONZE
6	O-RING	1	RUBBER	---
5	CLAMP	1	BRASS	WHITE BRONZE
4	BEAD	1	ABS	---
3	PIN	1	PHOSPHOR BRONZE	SILVER
2	INSULATOR	1	PTFE	---
1	BODY	1	BRASS	WHITE BRONZE
#	DESCRIPTION	QTY	MATERIAL	FINISH

CUSTOMER OUTLINE DRAWING	
ALL DIMENSIONS ARE REFERENCE ONLY	
UNLESS OTHERWISE SPECIFIED: DIMENSIONS ARE IN INCHES AND [MILLIMETERS]	
DRAWN C. ZUNIGA	10/25/19
CHECKED	
ORJ DRAWN JDM	8/31/16

RoHS COMPLIANT

PROPRIETARY AND CONFIDENTIAL
 THIS DRAWING CONTAINS INFORMATION PROPRIETARY TO RF INDUSTRIES. ANY UNAUTHORIZED USE OF THIS DRAWING IS EXPRESSLY PROHIBITED WITHOUT WRITTEN PERMISSION FROM RF INDUSTRIES. ANY VIOLATION IS PUNISHABLE UNDER U.S. COPYRIGHT LAWS.

RFconnectors
 DIVISION OF RF INDUSTRIES, LTD. 7610 MIRAMAR RD. SAN DIEGO, CA 92126 (858) 549-6340 (858) 549-6345 FAX

4.1/9.5 MALE CLAMP
 CAPTIVE PIN - FOR 1/2" SUPERFLEX CABLE

SIZE A	CABLE GROUP H4	DWG NO. RFD-4195MC-H4	REVISION B1
SCALE: NTS	ENGINEERING ID: 001787	SHEET 1 OF 1	