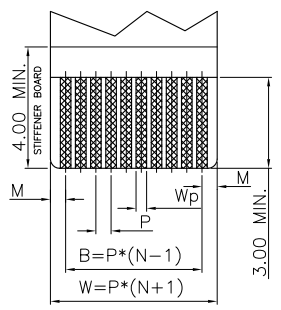
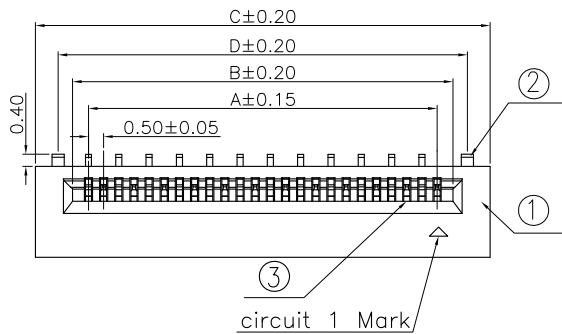


This document is the property of and embodies CONFIDENTIAL and PROPRIETARY information of AOR. No part of the information shown on this document may be used in any way or disclosed to others without the written consent of AOR. © 2019 AOR



REV.	ECR/ECN No.	DESCRIPTION	DRAWN/DATE	CHECKED/DATE	APPROVED/DATE
A	/	NEW RELEASE	Henry 2013-04-25	Zhengxian.Ye 2013-04-25	Roy 2013-04-25
B	/	REVISED DRAWING	May 2019-06-28	Rain 2019-06-28	Hongkui.Liu 2019-06-28

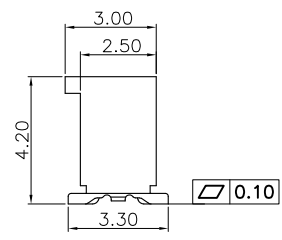
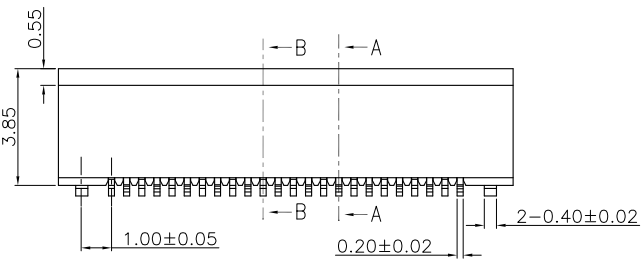


	FPC	FFC
M	0.5±0.05	0.5±0.05
P	0.5±0.03	0.5±0.03
B	B±0.05	B±0.05
W	W±0.07	W±0.07
Wp	0.35±0.03	0.30±0.05

APPLICABLE FPC/FFC DIMENSION  
THICKNESS:T=0.30±0.05

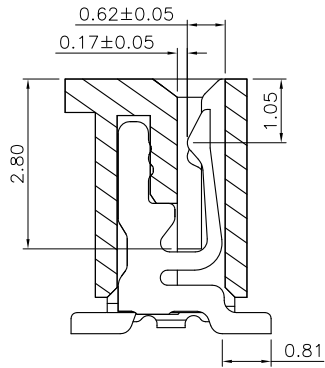
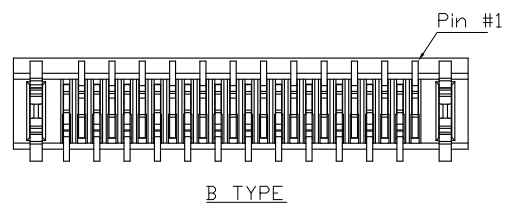
NO.	COMPONENTS	MATERIALS	SPECIFICATION:FINISH/COLOR	QTY.
1	HOUSING	GLASS FILLED LCP, UL94V-0	NATURAL	1
2	ANCHOR-PLATE	BRASS, T=0.40mm	SURFACE PLATING:2~5 um Sn UNDER PLATING:1~3 um Ni	2
3	CONTACT	PHOSPHOR BRONZE, T=0.20mm	SURFACE PLATING:SEE "NOTE" UNDER PLATING:1~3 um Ni	N

NOTE:  
1.ALL MATERIAL MUST BE COMPLY WITH  
SS-00259 OR RoHS.  
2.PART NO. LEGEND:  
F31K-1A\*\*1-110\*\*  
NO. OF POSITIONS  
7A:PHOSPHOR BRONZE  
MATTER TIN  
7H:PHOSPHOR BRONZE  
0.05um MIN Au(Au Area)  
1A:LCP NATURAL  
1K:B TYPE

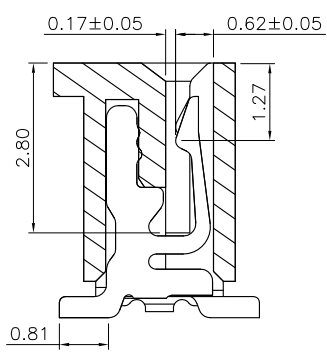


DIMENSION LIST:

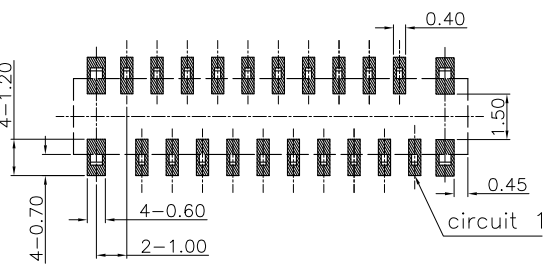
NO. OF POS.	A	B	C	D	NO. OF POS.	A	B	C	D
4	1.50	2.55	5.00	3.50	28	13.50	14.55	17.00	15.50
5	2.00	3.05	5.50	4.00	29	14.00	15.05	17.50	16.00
6	2.50	3.55	6.00	4.50	30	14.50	15.55	18.00	16.50
7	3.00	4.05	6.50	5.00	31	15.00	16.05	18.50	17.00
8	3.50	4.55	7.00	5.50	32	15.50	16.55	19.00	17.50
9	4.00	5.05	7.50	6.00	33	16.00	17.05	19.50	18.00
10	4.50	5.55	8.00	6.50	34	16.50	17.55	20.00	18.50
11	5.00	6.05	8.50	7.00	35	17.00	18.05	20.50	19.00
12	5.50	6.55	9.00	7.50	36	17.50	18.55	21.00	19.50
13	6.00	7.05	9.50	8.00	37	18.00	19.05	21.50	20.00
14	6.50	7.55	10.00	8.50	38	18.50	19.55	22.00	20.50
15	7.00	8.05	10.50	9.00	39	19.00	20.05	22.50	21.00
16	7.50	8.55	11.00	9.50	40	19.50	20.55	23.00	21.50
17	8.00	9.05	11.50	10.00	41	20.00	21.05	23.50	22.00
18	8.50	9.55	12.00	10.50	42	20.50	21.55	24.00	22.50
19	9.00	10.05	12.50	11.00	43	21.00	22.05	24.50	23.00
20	9.50	10.55	13.00	11.50	44	21.50	22.55	25.00	23.50
21	10.00	11.05	13.50	12.00	45	22.00	23.05	25.50	24.00
22	10.50	11.55	14.00	12.50	46	22.50	23.55	26.00	24.50
23	11.00	12.05	14.50	13.00	47	23.00	24.05	26.50	25.00
24	11.50	12.55	15.00	13.50	48	23.50	24.55	27.00	25.50
25	12.00	13.05	15.50	14.00	49	24.00	25.05	27.50	26.00
26	12.50	13.55	16.00	14.50	50	24.50	25.55	28.00	26.50
27	13.00	14.05	16.50	15.00					



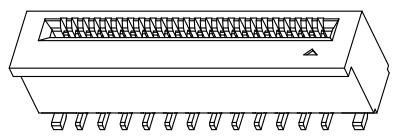
Section A-A;Scale 2:1



Section B-B;Scale 2:1



P.C.B LAYOUT B TYPE (REFERENCE) TOL:±0.05



3D VIEW REF.

UNLESS OTHERWISE SPECIFIED TOLERANCES		ANGLE OF PROJECTION		 Amphenol Aorora Technology (Huizhou) Co.,Ltd						
X.	±0.50	X. °	± 3'							
X.X	±0.30	X.X °	± 2'	DOC TYP	Customer Drw		TITLE:	FPC NON-ZIF P0.5 VERTICAL SMT B_TYPE		
X.XX	±0.20	X.XX °	± 1'	DRAWN	DATE	May 2019-06-28	SIZE	DWG NO.	REV.	
X.XXX	±0.10	X.XXX °	± 1'	DESIGN	DATE	May 2019-06-28	A4	A-S0068	B	
P/N: F31K-1A**1-110**		MATERIAL		CHECKED	DATE	Rain 2019-06-28	SCALE	1:1	UNIT : mm	SHEET 1 OF 1
FINISHED		SEE NOTES		APPROVED	DATE	Hongkui.Liu 2019-06-28				