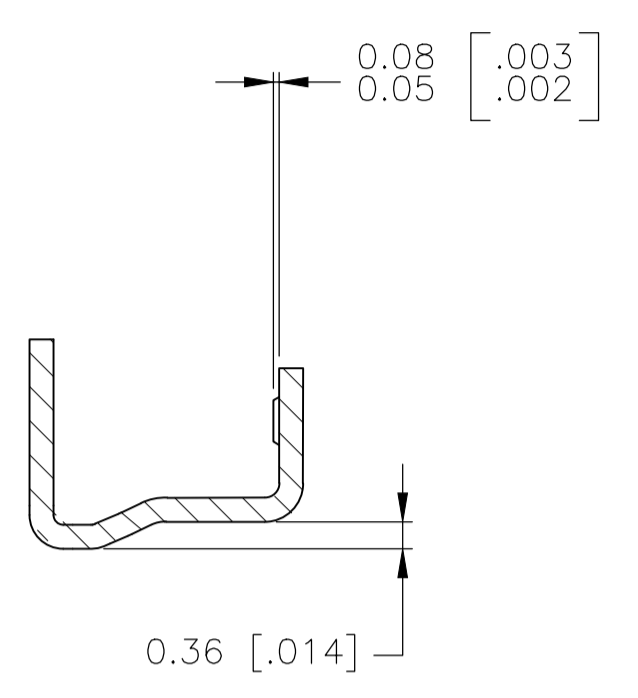
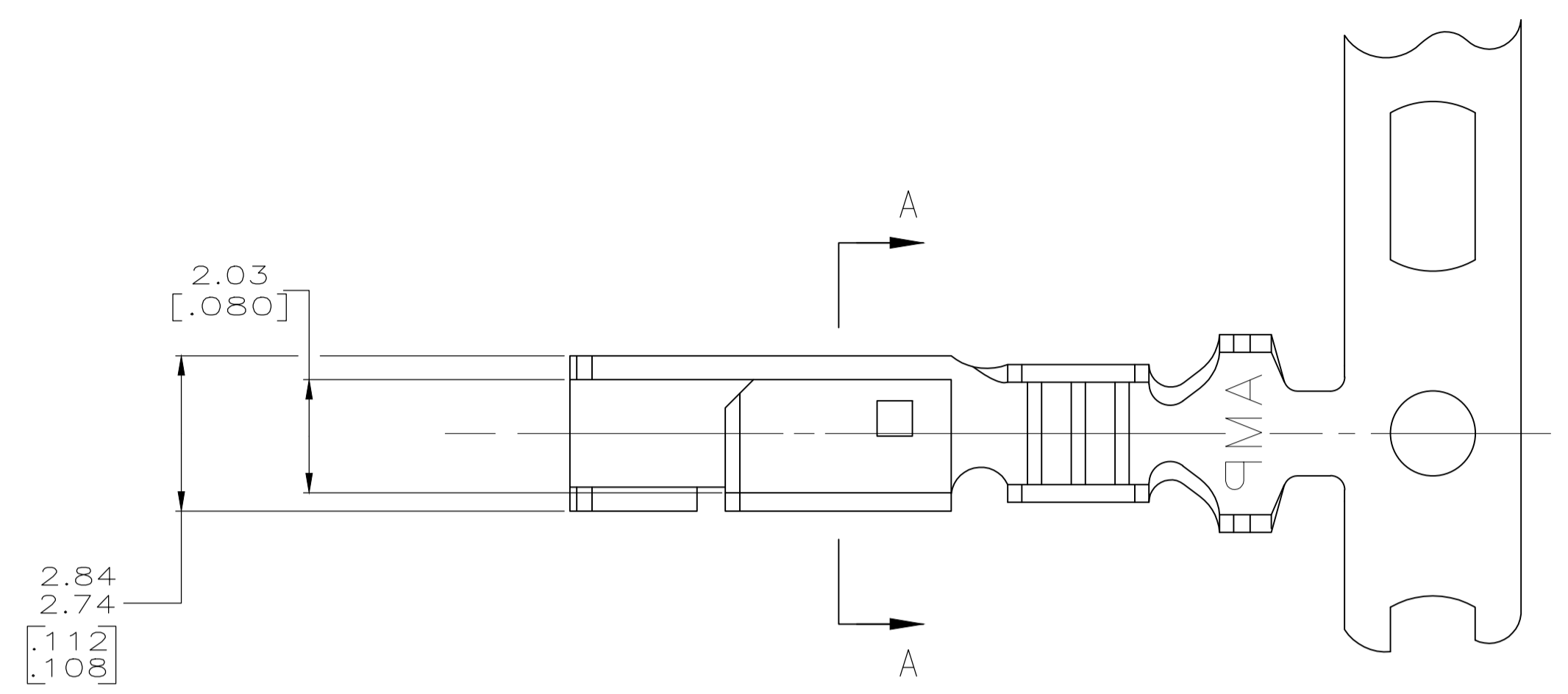


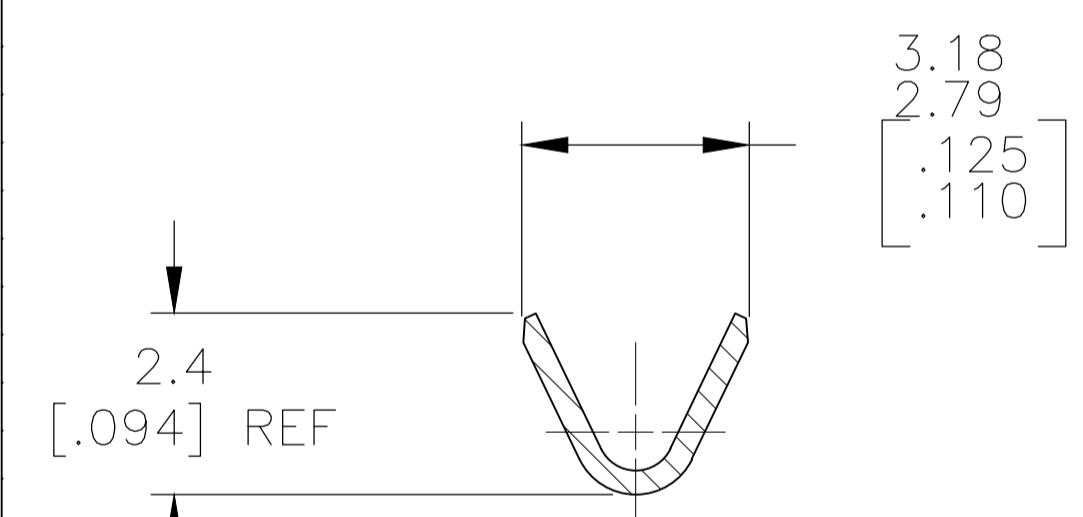
REVISIONS					
P	LTR	DESCRIPTION	DATE	DMN	APVD
L2		REVISED PER ECO-19-011058	17JUL2019	RS	SW



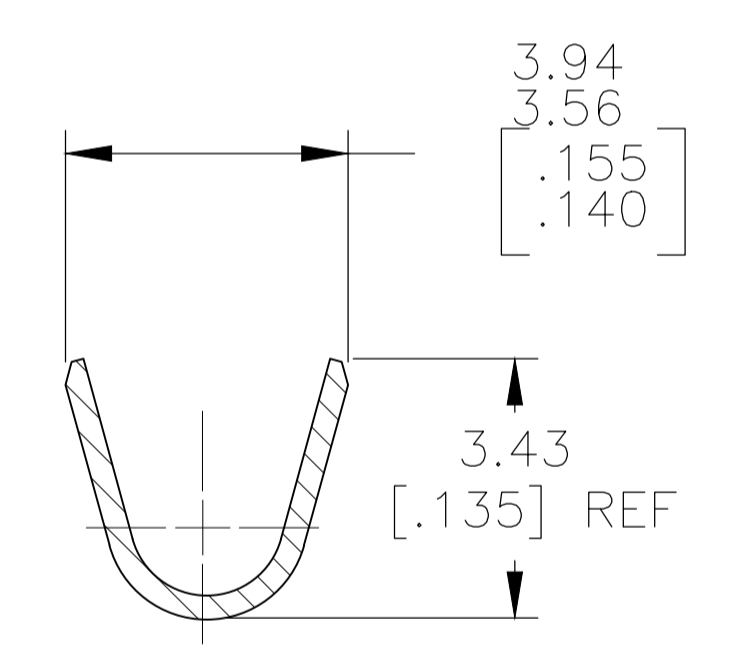
SECTION A-A



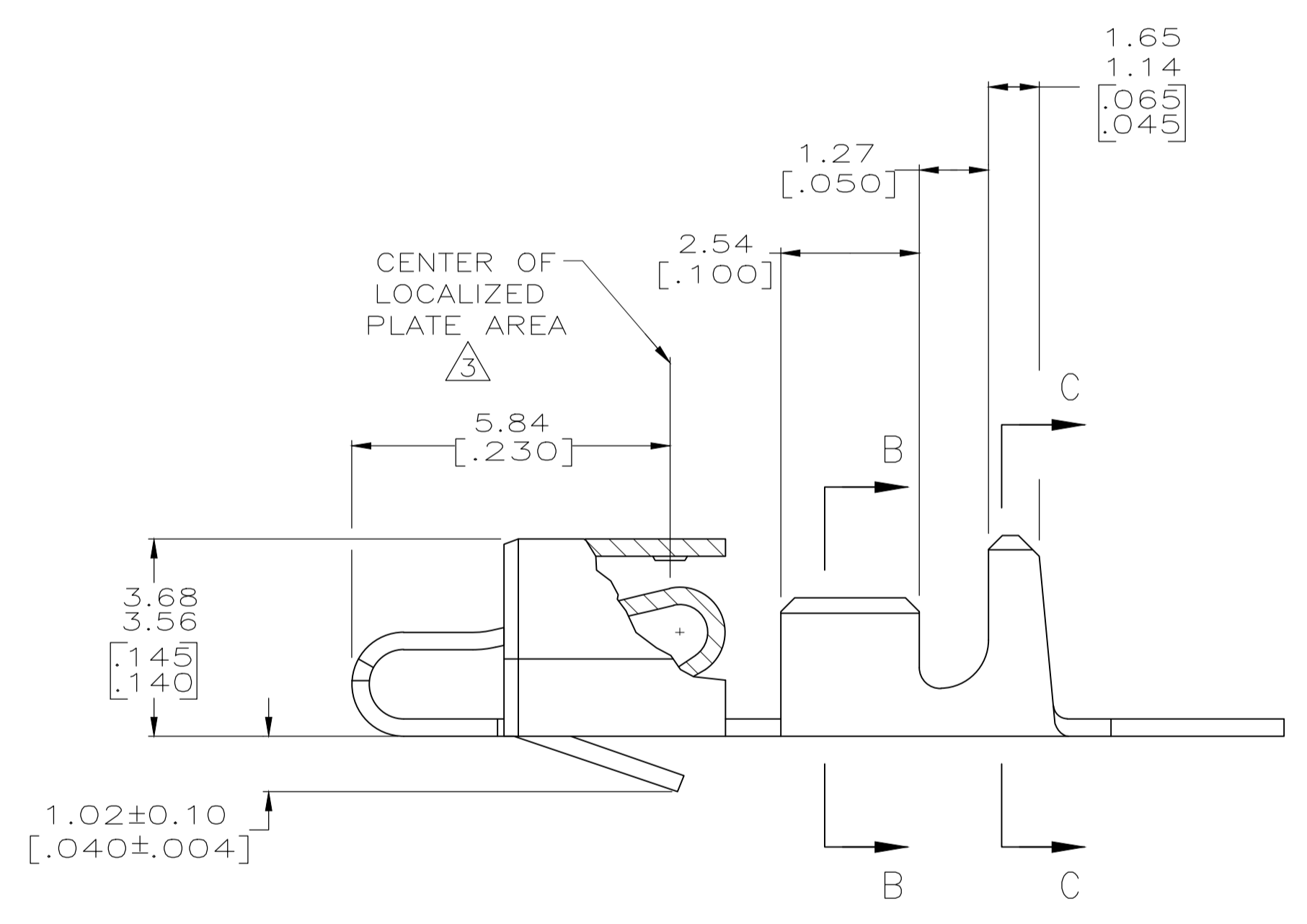
- INSULATION RANGE: 1.09-2.79 [.043-.110]
WIRE RANGE: 0.2-0.9 mm² (24-18) AWG.
- 0.00203 [.000080] MIN BRIGHT TIN-LEAD OVER
0.00127 [.000050] MIN NICKEL.
- 0.00076 [.000030] MIN THICK GOLD STRIPES IN
LOCALIZED PLATE AREA ON BEAM AND DIMPLE OVER
0.00127 [.000050] MIN THICK NICKEL OVER ENTIRE
CONTACT.
- DIMENSIONS IN BRACKETS ARE IN INCHES.
- 0.00203 [.000080] MIN TIN OVER
0.00127 [.000050] MIN NICKEL.



SECTION B-B



SECTION C-C



△	3-770476-1
△	770476-2
△	770476-1
FINISH	PART NO.

THIS DRAWING IS A CONTROLLED DOCUMENT.		DWG: K. WHITAKER 18OCT2004		TE Connectivity Ltd.	
DIMENSIONS: mm [INCHES]		TOLERANCES UNLESS OTHERWISE SPECIFIED:		RECEPTACLE, SL-156	
0 PLC	± -	APVD	J. ELLIS	NAME	
1 PLC	± -	PRODUCT SPEC			
2 PLC	± -	APPLICATION SPEC			
3 PLC	± .005	SIZE	A1	CAGE CODE	000779
4 PLC	± -	DRAWING NO	C=770476	RESTRICTED TO	
ANGLES	± # 0°30'	WEIGHT			
MATERIAL		CUSTOMER DRAWING		SCALE	10:1
FINISH				SHEET	1 OF 1
				REV	L2