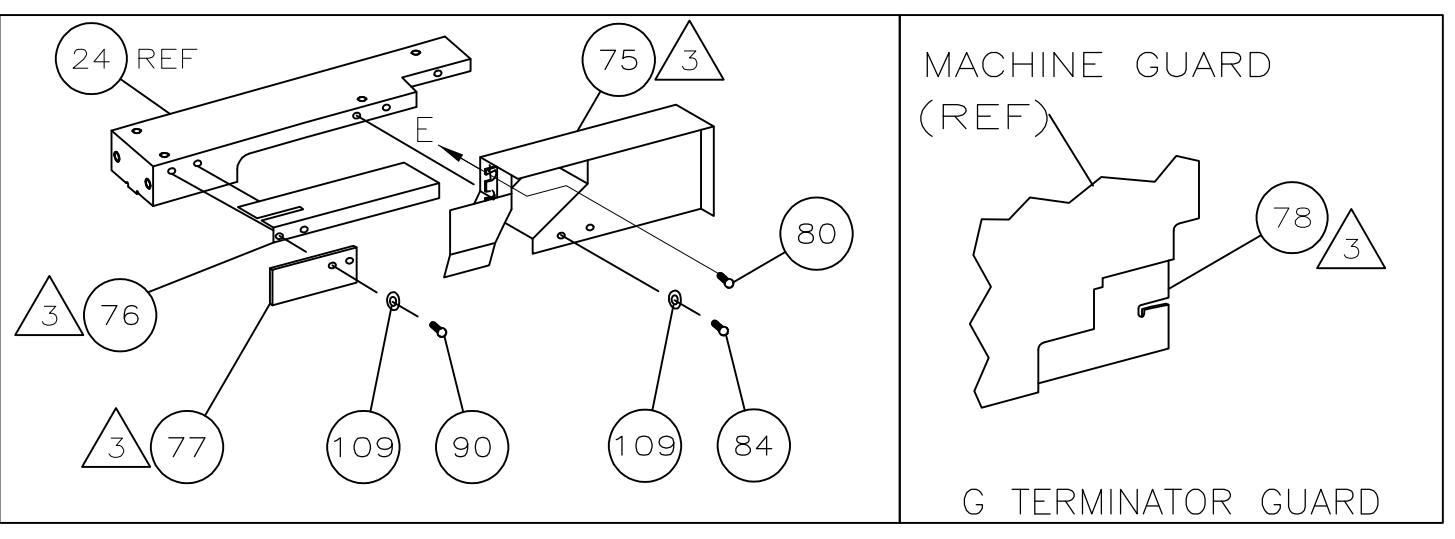
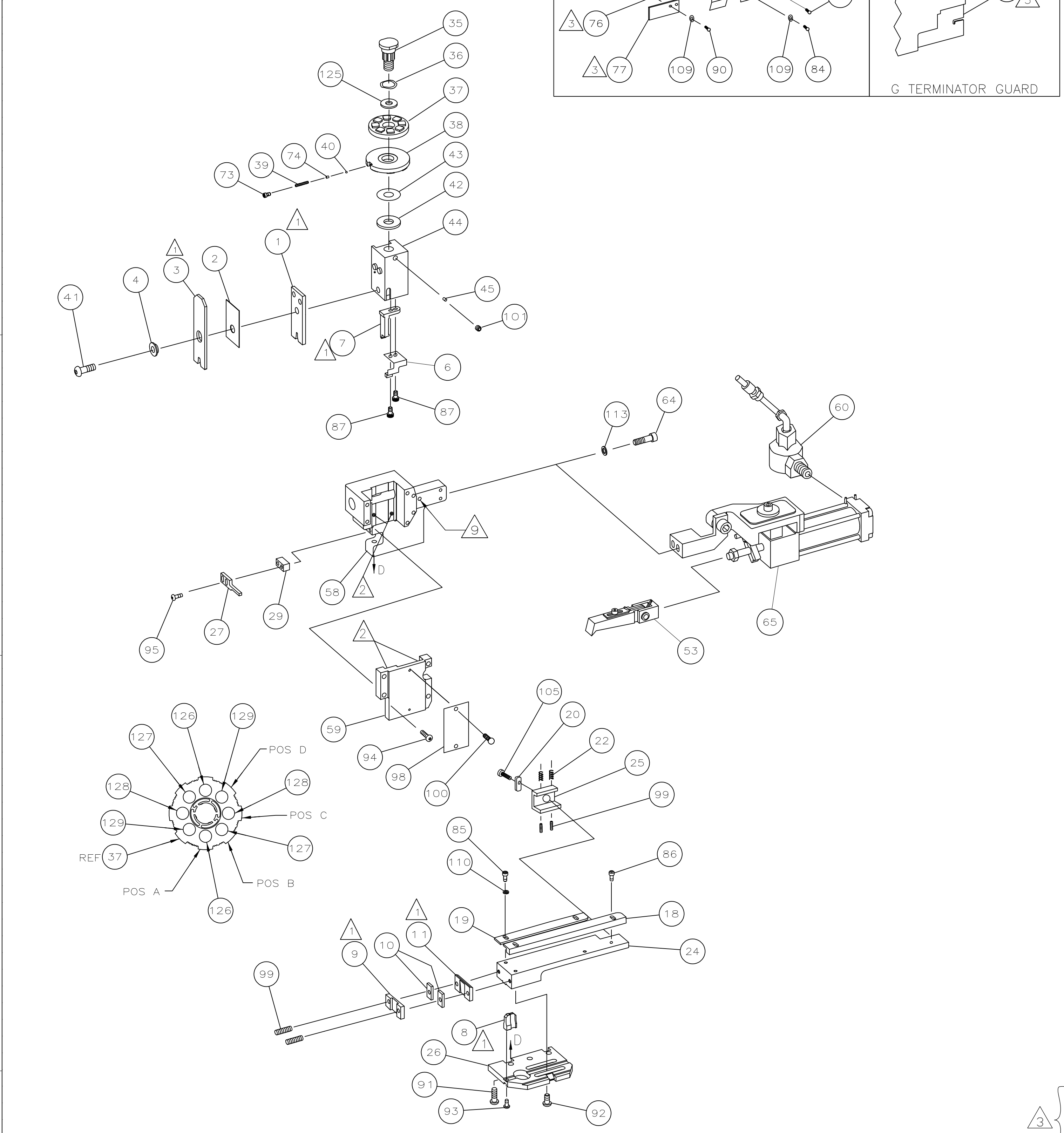


PART NUMBER	REV	FIRST USED
1385802-1	B	356462-1



TERMINAL NAME: .187 AMPLIVAR FASTON™ FLAG RECEIPT			
1742093 CRIMPING DATA			
PAD LTR	CRIMP HEIGHT	WIRE SIZE	
A	.068 ±.002 [1.73 ±0.05mm]	3923 CMA Δ 5	
B	.065 ±.002 [1.65 ±0.05mm]	3272 CMA Δ 6	
C	.063 ±.002 [1.60 ±0.05mm]	2927 CMA Δ 7	
D	.060 ±.002 [1.52 ±0.05mm]	2432 CMA Δ 8	
CRIMP	SIZE	TYPE	RANGE
WIRE	.100 [2.54mm]	F	2000-4050 CMA
INSUL	.100 [2.54mm]	0	ϕ .040-.100
WIRE STRIP LENGTH	TERM APPL SPEC	FEED	APPL INSTRUCTION
.265 MIN	114-2152	.570	408-8039
SET UP GAGE	LAYOUT	458638-1 L3018	

QTY	U/M	PART NO	DESCRIPTION	ITEM NO
2	-	354779-3	PIN, WIRE DISC (.3005)D	129
2	-	9-354778-6	PIN, WIRE DISC (.2975)C	128
2	-	9-354778-1	PIN, WIRE DISC (.2950)B	127
2	-	8-354778-4	PIN, WIRE DISC (.2915)A	126
1	-	986950-1	WASHER, FLAT PRECISION	125
1	-	217238-1	GENERAL INSTRUCTION PACKAGE	124
1	-	4088039	EF APPL INST 408-8039	123
				122
				121
				120
				119
				118
				117
				116
				115
				114
2	-	21024-5	WASHER, LOCK(#10)AIR ASSY	113
				112
				111
4	-	21024-3	WASHER, LOCK(NO.6)ST GUIDE	110
4	-	21055-6	WASHER, FLAT(NO.8)GUARD	109
				108
				107
				106
1	-	22353-8	SCR, SHLD(ϕ 1.87x.25)DRAG LEVER	105
				104
				103
				102
1	-	21009-2	SCR, SKT SET(1/4-20x.25)RAM	101
2	-	21017-2	SCR, DRIVE(#2x.19)ID PLATE	100
4	-	5-21006-6	SCR, SET(10-32x.75)DRAG	99
1	-	461264-1	PLATE, IDENTIFICATION	98
				97
				96
2	-	2-21002-4	SCR, BHC(8-32x.75)STRIPPER	95
4	-	2-21002-9	SCR, BHC(10-32x.75)CAP	94
1	-	22733-8	SCR, BHC(8-32x.38 LW)ANVIL	93
4	-	3-21002-3	SCR, BHC(1/4-20x.50)ST GD PL	92
3	-	2-22733-8	SCR, BHC(1/4-20x.62)HSG	91
2	-	2-21002-1	SCR, BHC(8-32x.38)GUARD	90
				89
				88
				87
2	-	2-21000-7	SCR, SHC(8-32x.50)SLUG BLADE	86
1	-	1-21002-7	SCR, BHC(6-32x.38)STRIP GUIDE	85
4	-	1-21000-9	SCR, SHC(6-32x.38)STRIP GUIDE	84
2	-	2-21002-2	SCR, BHC(8-32x.50)GUARD	83
				82
				81
2	-	2-21002-6	SCR, BHC(10-32x.38)GUARD MTG	80
				79
REF	-	356467-3	INSERT, GUARD	78
1	-	662435-1	GUARD, SIDE	77
1	-	662434-1	GUARD, TERMINAL	76
1	-	1320533-1	GUARD, AIR CYLINDER	75
1	-	690603-1	SPRING, ASSIST	74
1	-	23030-1	SCR, SKT CAP(6-32x.25)CP DSC	73
				72
				71

QTY	U/M	PART NO	DESCRIPTION	ITEM NO
-1	U/M			

LOC	DIST	REVISIONS					
REV	DATE	BY	APPD	DESCRIPTION	DATE	OWN	APPD
A	66	B		ECR-07-016774	7-2007	MY	GB

QTY	U/M	PART NO	DESCRIPTION	ITEM NO
-1	THRU MODEL G		AIR FEED	
				70
				69
				68
				67
				66
4	1	1-460277-8	AIR FEED ASSY (1 INCH)	65
	2	4-21000-1	SCR, SHC(10-32x1.50)AIR ASSY	64
				63
				62
				61
1	-	692655-7	AIR FEED VALVE ASSY	60
1	-	454220-1	CAP, RAM	59
1	-	453736-1	HOUSING	58
				57
				56
				55
				54
4	1	2-460680-0	FEED FINGER ASSY	53
				52
				51
				50
				49
				48
				47
				46
1	-	690191-1	PLUG, NYLON	45
1	-	679275-1	RAM	44
1	-	690125-1	WASHER, LAMINATED	43
1	-	690124-9	WASHER, RAM	42
1	-	7-21002-7	BOLT, CRIMPER(5/16-24x.75)	41
1	-	23241-6	BALL, STEEL	40
1	-	690170-1	SPRING, COMPRESSION	39
1	-	690142-1	DISC, INSULATION	38
1	-	354777-1	WIRE DISC, PLASTIC	37
1	-	22480-5	WASHER, SPRING	36
1	-	690212-1	POST, RAM	35
				34
				33
				32
				31
				30
1	-	690451-1	SPACER, STRIPPER	29
				28
1	-	240639-4	STRIPPER	27
1	-	A3 662489-1	BASE PLATE, MODIFIED	26
1	-	240792-7	DRAG, TERMINAL	25
1	-	662383-1	PLATE, STRIP GUIDE	24
				23
2	-	1-22284-0	SPRING, DRAG	22
				21
1	-	240793-4	LEVER, DRAG RELEASE	20
1	-	662388-3	GUIDE, STRIP (REAR)	19
1	-	662387-1	GUIDE, STRIP (FRONT)	18
				17
				16
				15
				14
				13
				12
1	-	240644-5	PLATE, REAR SHEAR	11
2	-	1-240645-2	SPACER, SHEAR PLATE	10
1	-	318704-1	PLATE, FRONT SHEAR	9
1	-	2-459866-5	ANVIL	8
1	-	679272-2	BLADE, SLUG	7
1	-	1320560-1	DEPRESSOR, TERM	6
				5
				4
1	-	238009-8	SPACER, BLOCK CRIMPER	3
1	-	5-456135-0	CRIMPER, INSULATION	2
1	-	2-455888-7	SPACER, CRIMPER	1
1	-	318702-2	CRIMPER, WIRE	1

- Δ 1 RECOMMENDED SPARE PARTS.
- Δ 2 GREASE LIGHTLY.
- Δ 3 GUARD MUST BE IN PLACE WHEN OPERATING APPLICATOR IN A BENCH MACHINE.
- Δ 4 SEE DRAWING FOR COMPONENTS.
- Δ 5 SET-UP ONLY, (1)#17 MAGWIRE & (1)#18 AWG STRANDED.
- Δ 6 SET-UP ONLY, (1)#17 & (1)#20 MAGWIRE.
- Δ 7 SET-UP ONLY, (1)#17 & (1)#22 MAGWIRE.
- Δ 8 SET-UP ONLY, (1)#18 & (1)#22 MAGWIRE.
- Δ 9 PIN MUST BE REMOVED TO ALLOW FOR GUARD.

THIS DRAWING IS A CONTROLLED DOCUMENT.

DIMENSIONS: INCHES
 TOLERANCES UNLESS OTHERWISE SPECIFIED:
 0 PLC ± .005
 1 PLC ± .005
 2 PLC ± .005
 3 PLC ± .005
 4 PLC ± .005
 ANGLES FINISH ± .005

MATERIAL: -
 WEIGHT: -
 CUSTOMER DRAWING: A1 00779 © 1385802

DWN: R.O.WILSON 20JUL04
 CHK: R.O.WILSON 23JUL04
 APVD: T. ELBIN 26JUL04
 PRODUCT SPEC: -
 APPLICATION SPEC: -
 SIZE: A1
 SCALE: -
 SHEET: 1 OF 1
 REV: B

Tyco Electronics Corporation
 Harrisburg, PA 17105-3608
 NAME: END FEED HDM APPLICATOR