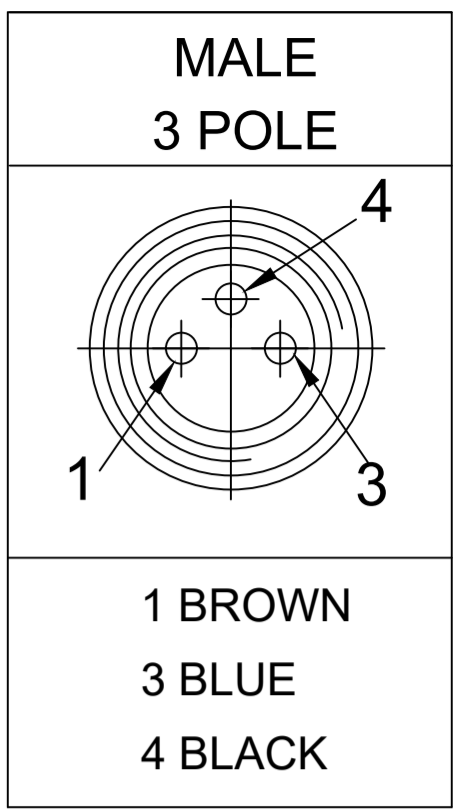
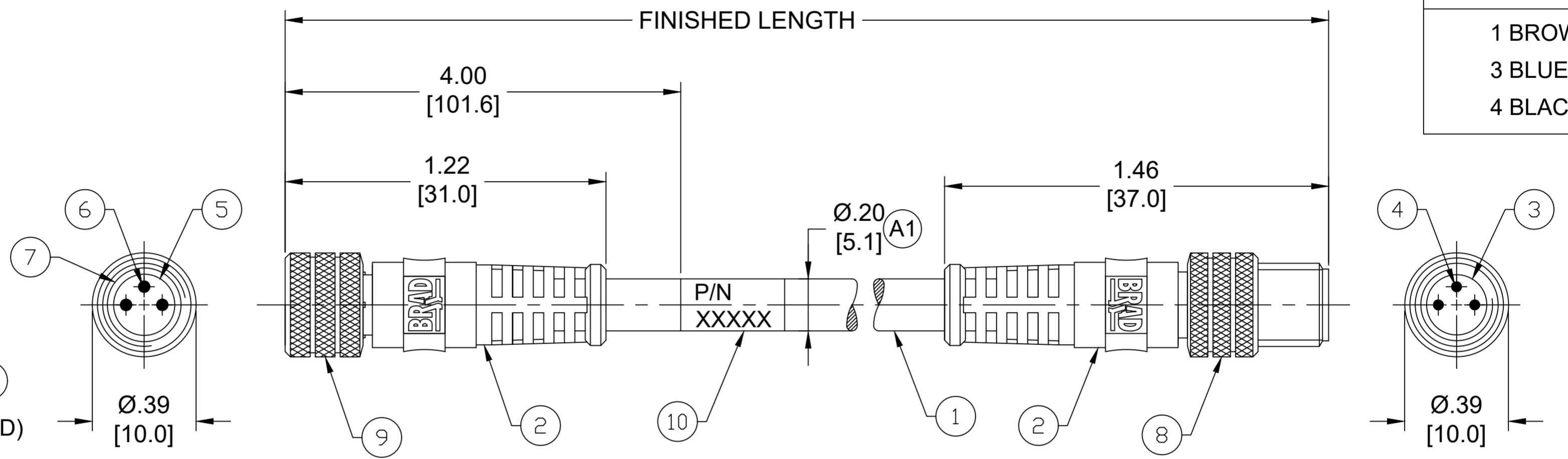


MATERIAL NUMBER	ENGINEERING NUMBER	FINISHED LENGTH
1200870235	443030K05M010	1M [3 FT 3 IN]
1200870236	443030K05M020	2M [6 FT 7 IN]
1200871000	443030K05M050	5M [16FT 5 IN]



- NOTES:**
1. MATERIAL: AS NOTED
  2. FINISH: AS NOTED
  3. ELECTRICAL:  
VOLTAGE : 60VAC/75VDC  
CURRENT: 4A
  4. TEMP RATING: -20° TO +105°C (A1)
  5. PROTECTION: IP68 (WHEN MATED)
  6. COUPLING THREAD: M8X1
  7. UL LISTED FILE: E152210
  8. ALL DIMENSIONS ARE FOR REFERENCE UNLESS TOLERANCED OR NOTED OTHERWISE



**MECHANICAL CHARACTERISTICS:** (A1)

TORSIONAL FLEX TEST	10 MILLION CYCLES PER MIL-C-13777G
BEND FLEX TEST	10 MILLION CYCLES PER MIL-C-13777G
WELD SLAG RESISTANCE	WOODHEAD STANDARD S-300

ITEM	COMPONENT	MATERIAL	FINISH
10	WRAP LABEL	VINYL	BLACK/YELLOW
9	FEMALE COUPLING NUT	BRASS	NICKEL PLATED
8	MALE COUPLING NUT	BRASS	NICKEL PLATED
7	O-RING	VITON	RED
6	CONTACT SOCKET	COPPER ALLOY	GOLD/NICKEL PLATED
5	FEMALE INSERT	PUR	BLACK
4	CONTACT PIN	COPPER ALLOY	GOLD/NICKEL PLATED
3	MALE INSERT	PUR	BLACK
2	OVERMOLD	TPC	YELLOW
1	CABLE, #22-3, ITC/PLTC	TPE	YELLOW

**PART NUMBER LEGEND**  
**443030K05M006**

**LENGTH**  
M001 = .6 METER  
M010 = 1 METER  
M100 = 10 METER

(A1) **CABLE LENGTH TOLERANCES**

<.3M [1FT]: +19mm-0 [ +.75in-0]
.3 - .9M [1 - 3FT]: +44.5mm-0 [+1.75in-0]
.9 - 1.8M [3 - 6FT]: +55.6mm-0 [+2.19in-0]
1.8 - 3.7M [6 - 12FT]: +88.9mm-0 [+3.50in-0]
3.7 - 7.3M [12 - 24FT]: +165.1mm-0 [+6.50in-0]
7.3-14.6M [24 - 48FT]: +317.5mm-0 [+12.50in-0]
14.6 - 30.5M [48-100FT]: +622.3mm-0 [+24.50in-0]
OVER 30M [100FT] +2% OF FINISHED LENGTH

FUNCTIONAL SYMBOLS	THIS DRAWING CONTAINS INFORMATION THAT IS PROPRIETARY TO MOLEX ELECTRONIC TECHNOLOGIES, LLC AND SHOULD NOT BE USED WITHOUT WRITTEN PERMISSION		CURRENT REV DESC: ITEM-10 WAS MYLAR. ADDED CABLE DIA & MECHANICAL CHARACTERISTICS CHART. MODIFIED TEMP RATING & PN CHART. REMOVED CSA	
	DIMENSION UNITS	SCALE	EC NO: 702709	
DIVISIONAL SYMBOLS	INCH/MM	NTS	DRWN: ABENJAMINLW	2021/10/22
	GENERAL TOLERANCES (UNLESS SPECIFIED)		CHK'D: RSTONE	2022/04/11
DRAWING	4 PLACES	±----	APPR: BWOODMAN	2022/04/16
	3 PLACES	±----	INITIAL REVISION:	
	2 PLACES	±----	DRWN: GGUSTAFS	2013/10/10
	1 PLACE	±----	APPR: BWOODMAN	2013/11/12
0 PLACES		±----	SERIES	
ANGULAR TOL ± ---- °		THIRD ANGLE PROJECTION	MATERIAL NUMBER	
DRAFT WHERE APPLICABLE MUST REMAIN WITHIN DIMENSIONS		DRAWING	CUSTOMER	
		C-SIZE	SHEET NUMBER	
		120086	SEE CHART	
			GENERAL MARKET	
			1 OF 1	