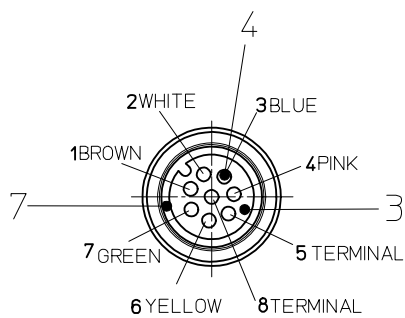
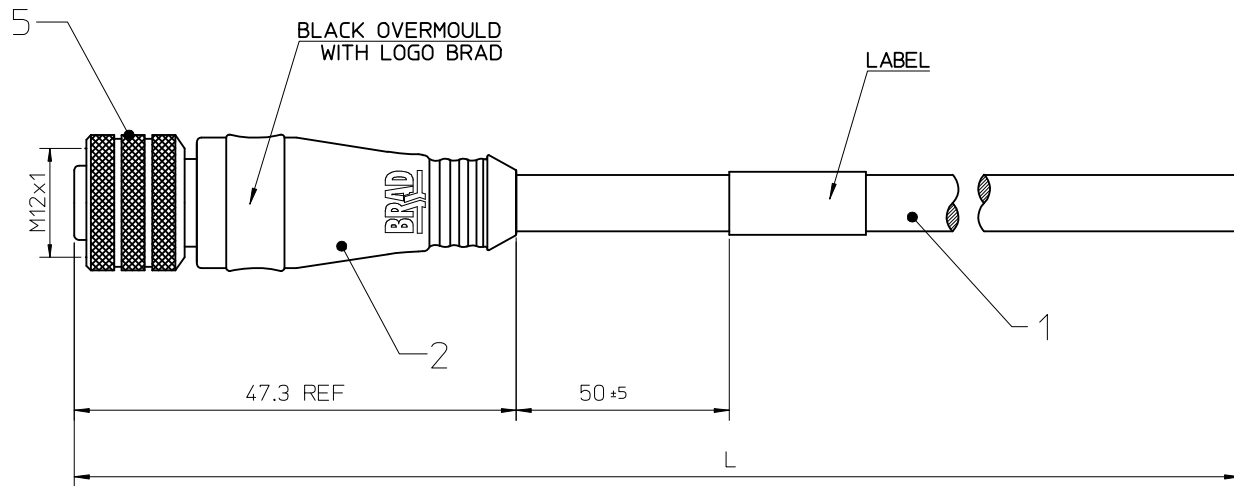


CHART 1:

MOLEX NO.	ENGINEERING NO.	LENGHT+ TOL.
1200698437	BG20792-M200	20000 +610
1200698438	BG20792-M250	25000 +610



VIEW FROM FRONT SIDE



ITEM	QTY.	DESCRIPTION
7	1	GASKET -FPM (RED)
6	1	SLEEVE -BRASS
5	1	M12 FE COUP NUT -BRASS
4	8	CONTACTS -BRASS, GOLD PLATED
3	1	INSERT -TPU
2	-	OVERMOULD (BLACK)
1	-	CABLE -PUR, 8x0.25MM (BLACK)

UPDATED DRAWING  
EC NO: IPG2014-1250  
DRWNE: JABLONSKA01 2013/07/15  
CHKD: MSZWAJKOWSKI 2013/07/15  
APPR: MIWASIECZKO 2014/01/17

QUALITY SYMBOLS

	GENERAL TOLERANCES (UNLESS SPECIFIED)	
	mm	INCH
4 PLACES	± ---	± ---
3 PLACES	± ---	± ---
2 PLACES	± 0.05	± ---
1 PLACE	± 0.3	± ---
0 PLACE	± 0.5	± ---

ANGULAR ± --- °  
DRAFT WHERE APPLICABLE MUST REMAIN WITHIN DIMENSIONS

DIMENSION STYLE	
MM ONLY	
DRAWN BY	DATE
EJABLONSKA01	2013/07/08
CHECKED BY	DATE
MSZWAJKOWSKI	2013/07/08
APPROVED BY	DATE
MIWASIECZKO	2014/01/17
MATERIAL NO.	
SEE CHART 1	

SCALE	DESIGN UNITS	THIRD ANGLE PROJECTION
---	METRIC	
TITLE		
CSE M12 8P ST FE XXM PUR SHIELD SE		
DOCUMENT NO.		
SD-120069-025		
SHEET NO.		
1 OF 1		

**molex**

THIS DRAWING CONTAINS INFORMATION THAT IS PROPRIETARY TO MOLEX INCORPORATED AND SHOULD NOT BE USED WITHOUT WRITTEN PERMISSION