

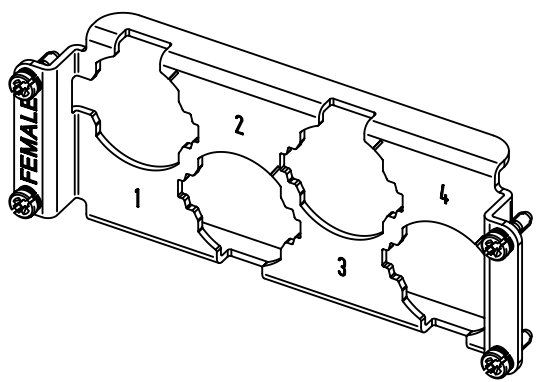
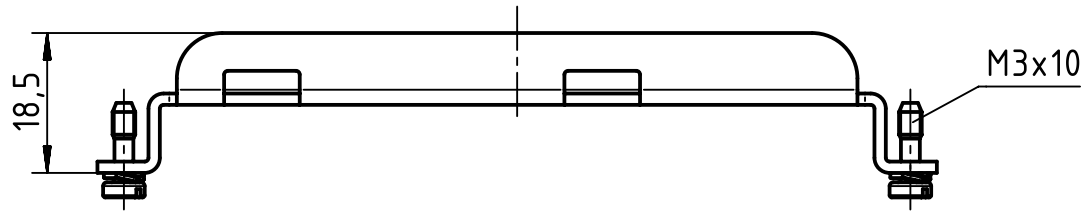
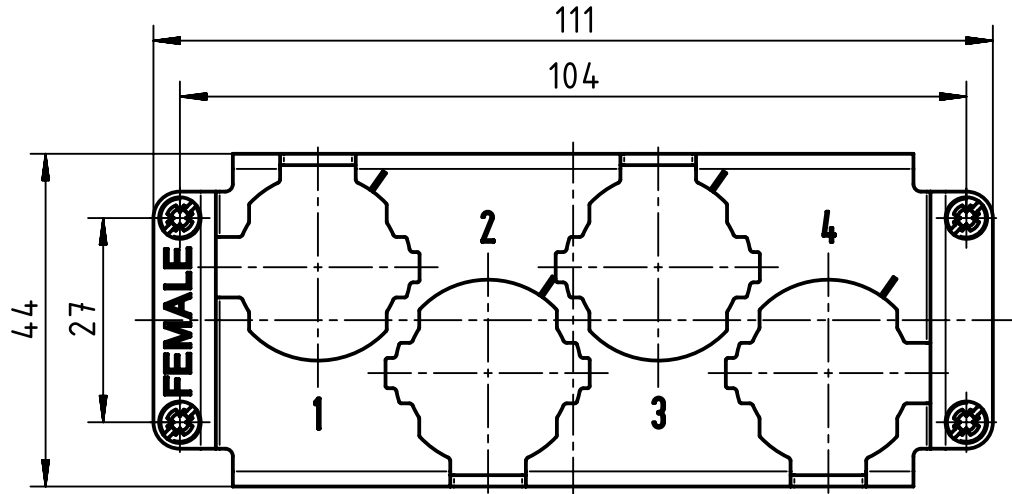
1 2 3 4 5 6


A

B

C

D



	All rights reserved		Created by RULLKOETTER		Inspected by SUNDERMEIER		Standardisation RUETERA		Date 2018-01-18		State Final Release	
	Department EL PD - DE		Title Frame 4xHC250-F (invers)		Number 09 11 000 9942		Doc-Key / ECM-Nr. 100562412/UGD/002/B 500000130119		Rev. B		Page 1/1	
HARTING Electric GmbH & Co. KG D-32339 Espelkamp			All Dimensions in mm Original Size DIN A4		Scale 1:1 Free size tol.		Ref. _____ Sub. _____					