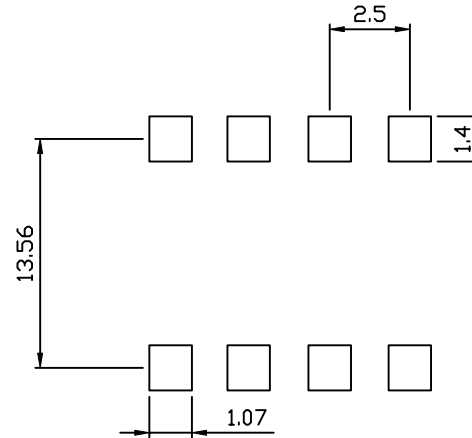
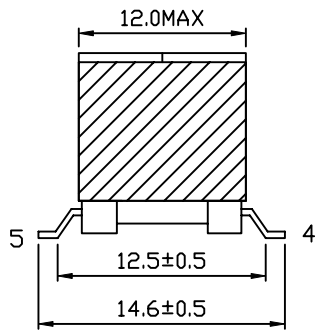
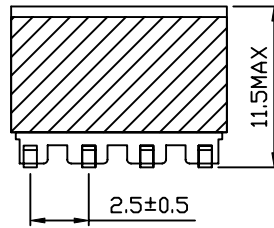
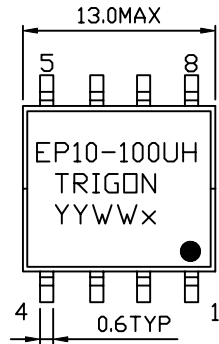


CONFIGURATION & DIMENSIONS: (mm)



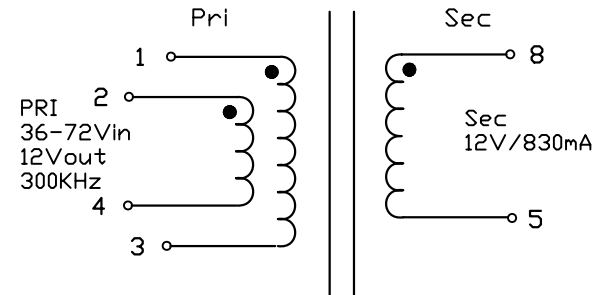
ELECTRICAL SPECIFICATION: @25°C

Inductance: @10KHz/0.1V  
 L(1-3): 60uH±10%(short PIN1-2, 3-4)  
 Leakage Inductance: @100KHz/0.1V  
 LK(1-3): 1.7uH MAX(short 1-2, 3-4, 5-8)  
 DCR:  
 R(1-3)=0.16Ω±10%(short PIN1-2, 3-4)  
 R(8-5)=0.13Ω±10%  
 HI-POT: 60Hz  
 Pri to Sec: 1875VAC/1mA/1S  
 Turns Ratio: @(20KHz/1V)  
 (1-3):(2-4)=1:1±2%  
 (1-3):(8-5)=1:1±2%(short PIN1-2, 3-4)

NOTE:

This part is ROHS compliant

SCHEMATIC:



"•": START

TOL UNLESS NOTED				TITLE: TRANSFORMER			PART NO: YEP10S-8P60UH				
.X: ±0.40mm					APPROVED BY	CHECKED BY	DRAWN BY	UNIT	mm	SCALE	NONE
.XX: ±0.25mm					ES	LL	JK	SHEET	1	OF	1
.XXX: ±0.10mm	01	07-09-2019	JK	TRIGON COMPONENTS, INC. www.trigoncomponents.com							
ANGLE: ±3.0°	REV	DATE	SIGN								