

Specification of Temperature Probe

PART NUMBER: **TT4-PT1000B-174-293-PL**

No. of pages: 1

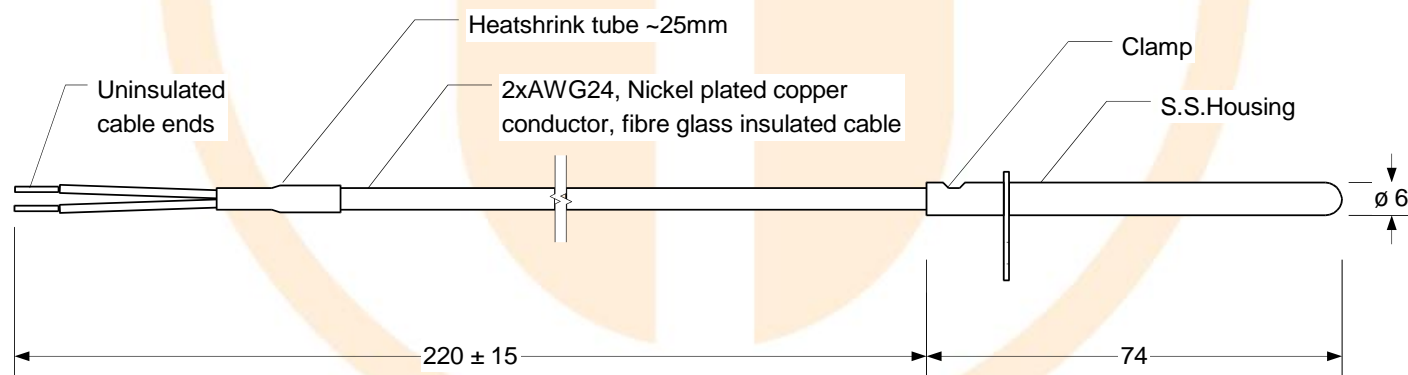
Date: **18.09.2019**

Revision: **00**

FEATURES:

Sensing Element	PT1000
Class according to EN 60751	B
Temperature Coefficient	TCR = 3851 ppm/k
Operating temperature range (for sensor tip)	-40°C ÷ 450°C
Test Voltage	500V DC
RoHS Compatible	YES

DRAWING:



UNITS: [mm]

