

ATTN: \_\_\_\_\_

SEIKO EPSON CORPORATION  
Sales & Marketing Division.  
Device Sales & Marketing Dept.  
MICRODEVICES Operations Division.  
TD Production Management Control Dept.

**SUB: NRND products notice due to integration of SPXO (2520 size)**

Dear Valued Customer:

Thank you for choosing SEIKO EPSON CORP. Timing Products as your products of choice. We would like to announce the following products are **Not Recommend** for **New Design**. We apologize for any inconvenience, but we appreciate your approval.

The expected Last time buy and Last shipment schedule are following:

**1. NRND New Registration Products and Schedule**

Product Name	P/N	Recommended Alternative	Recommended Alternative P/N	Remark
SG-210SCB SG-210SDB SG-210SEB SG-210SCD SG-210SDD SG-210SED	Q33210B7xxxx xx Q33210BDxxxx xx Q33210BExxxx xx X1G002921xxxx xx X1G002931xxxx xx X1G002941xxxx xx	SG-210STF SG-8018CG SG-8101CG	X1G004171xxxx xx X1G005601xxxx xx X1G005181xxxx xx	1) If you are considering SG-210STF, please select from the standard frequency list. For other frequencies, please consider SG-8018CE / SG-8101CE. 2) When considering SG-8018 / SG-8101, please reconfirm pin # 1 function, please refer to note on page 2.
SG-210SGB	Q33210BGxxxx xx	No Alternative model		

**Schedule (Plan)**

EOL Notice	Last time Buy	Last shipment
Jun/2020	End of Dec 2020	End of Jun 2021

**2. Reason**

This is an integration to establish a quick and continuous supply system for customers.

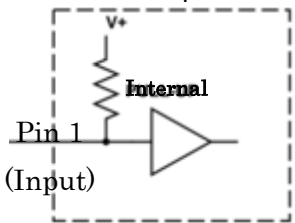
**3. Standard Frequency list of SG-210STF**

STD Frequency (MHz)							
1	4.000000	6	14.745600	11	25.000000	16	33.333300
2	8.000000	7	16.000000	12	26.000000	17	40.000000
3	10.000000	8	20.000000	13	27.000000	18	48.000000
4	12.000000	9	24.000000	14	32.000000	19	50.000000
5	12.288000	10	24.576000	15	33.330000	20	72.000000

Please contact your area EPSON device sales office, if you have any concern of this NRND notice.

Sincerely yours,

Note:

Pin 1 Function	Standby function	Pin 1 can be programmed to be either Standby or Output Enable function																					
Series	SG-210 Series SG-310 Series SG5032CAN Series SG7050CAN Series	SG-8018 Series SG-8101 Series																					
Function Details	<table border="1"> <thead> <tr> <th>Pin 1</th> <th>Output</th> </tr> </thead> <tbody> <tr> <td>High or "open"*</td> <td>Specified Frequency Enabled</td> </tr> <tr> <td>Low</td> <td>High Impedance</td> </tr> </tbody> </table>	Pin 1	Output	High or "open"*	Specified Frequency Enabled	Low	High Impedance	<table border="1"> <thead> <tr> <th>Function</th> <th>Pin 1</th> <th>Output</th> </tr> </thead> <tbody> <tr> <td rowspan="2">Output Enable</td> <td>High</td> <td>Specified Frequency Enabled</td> </tr> <tr> <td>Low</td> <td>Low (Output driver disabled)</td> </tr> <tr> <td rowspan="2">Standby</td> <td>High</td> <td>Specified Frequency Enabled</td> </tr> <tr> <td>Low</td> <td>Low</td> </tr> </tbody> </table>	Function	Pin 1	Output	Output Enable	High	Specified Frequency Enabled	Low	Low (Output driver disabled)	Standby	High	Specified Frequency Enabled	Low	Low	<p>Note: No open default state</p>	
	Pin 1	Output																					
High or "open"*	Specified Frequency Enabled																						
Low	High Impedance																						
Function	Pin 1	Output																					
Output Enable	High	Specified Frequency Enabled																					
	Low	Low (Output driver disabled)																					
Standby	High	Specified Frequency Enabled																					
	Low	Low																					
<p>*Internal Pull-up resistor</p> 																							

Standby function for an oscillator is when the oscillator goes to sleep and consumes least amount of power

Output Enable function for an oscillator is when only the oscillator's output driver or buffer is enabled or disabled