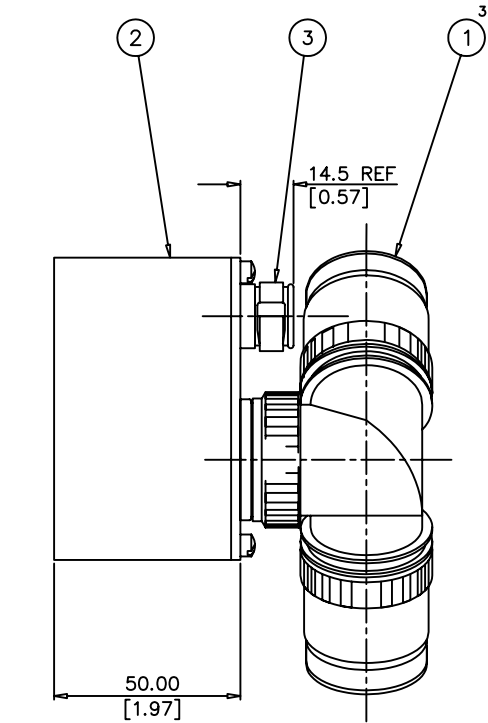
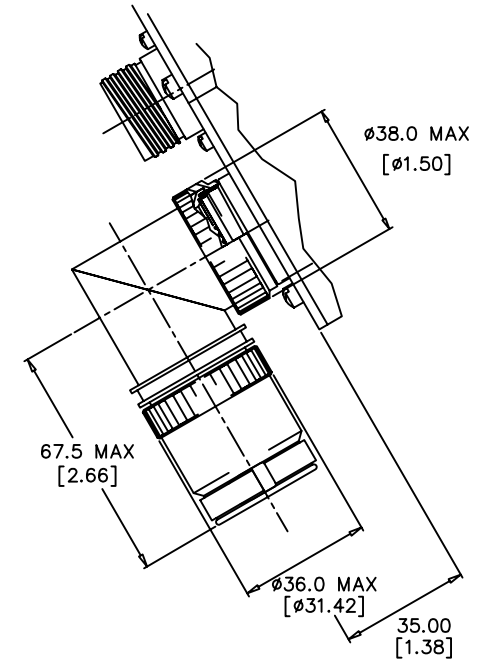
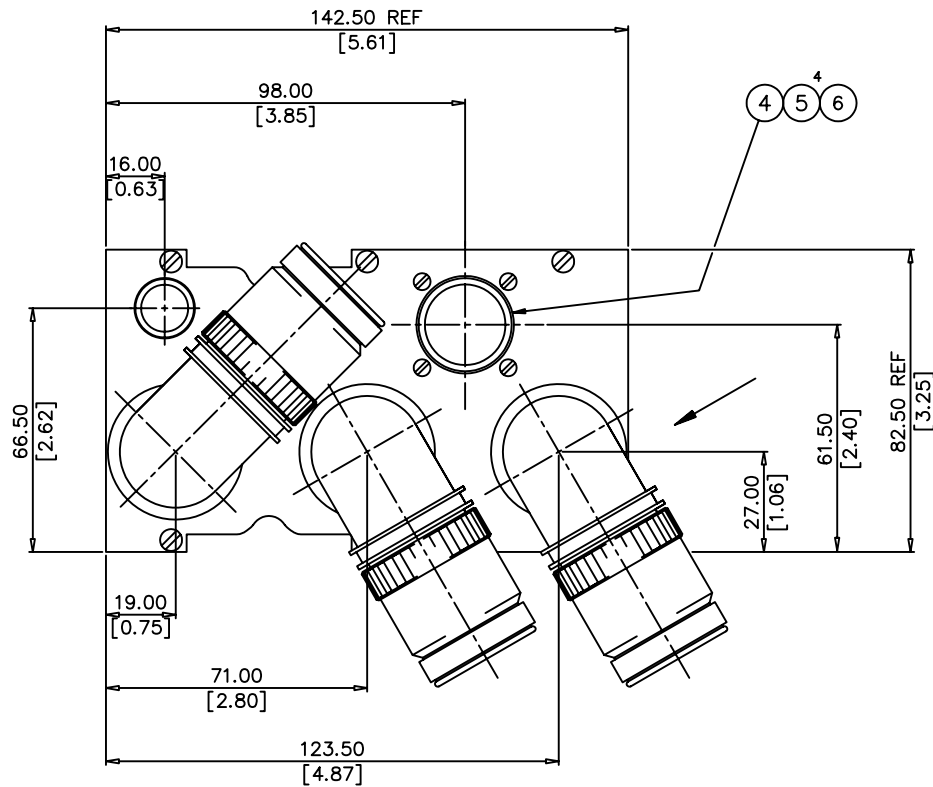


SECURITY CLASSIFICATION
DRAWING NO.
KHEX-19563/2

THIRD ANGLE PROJECTION



END VIEW WITH ITEM 4 DELETED FOR CLARITY



TRUE SCRAP VIEW ON ARROW

6	MOUNTING FLANGE (3/4)	M85049/95-16A-A	TE	1	PC
5	SCREW - CHEESE HEAD	Ø4-40 UNC x 0.375" LONG	STAINLESS STEEL - PASS.	4	PC
4	CONNECTOR	D38999/20WD-35SN	WALL MOUNT RECEPTACLE	1	PC
3	TERMINATION BAND	BND-1425S	TE	1	PC
2	BACKSHELL ASSEMBLY	HEXA6-AB-00-03-21-100	TE	1	PC
1	HEXASHIELD ADAPTOR	HEX40-AB-90-21-A11-3	TE	3	PCS
ITEM	DESCRIPTION	PART NO./DRAWING NO.	SPECIFICATION/REMARKS	QTY	UNIT

If this document is printed it becomes uncontrolled. Check for the latest revision

©2008 Tyco Electronics Corporation.
All rights reserved.

CUSTOMER DRAWING



Raychem
Harnessing
300 Constitution Drive
Menlo Park, CA 94025 U.S.A.

THIS DRAWING AND THE INFORMATION SET FORTH HEREON ARE THE PROPERTY OF TYCO ELECTRONICS AND ARE TO BE HELD IN TRUST AND CONFIDENCE. PUBLICATION, DUPLICATION, DISCLOSURE, OR USE FOR ANY OTHER PURPOSE NOT EXPRESSLY AUTHORIZED IN WRITING BY TYCO ELECTRONICS IS PROHIBITED.

DRAWN	ZS. ORBAN	DATE	May/30/08
CHECKED			
APP'D	M. PIOZET	DATE	May/30/08
SCALE	NTS		

TOLERANCES	±0.25 [±0.10]
DIMENSIONS IN MM. [INCHES]	
PROJECT NO	87008

M.P.	PER ECO-08-013538	ZS.O.	May/30/08	A
APP'D	MODIFICATIONS	SIGN	DATE	REV.
SECURITY CLASSIFICATION				
DRAWING NO. KHEX-19563/2				
RELATED DRAWING NO.				
				SHEET 1 OF 1

DRAWING TITLE
ARINC 600 SIZE 3
ADAPTOR AND CONNECTOR
ASSEMBLY
CAGE CODE
06090