

CMX654

V.23 Transmit Modulator with Data Retiming

The CMX654 is a CMOS integrated circuit for the transmission of asynchronous 1200bps data in accordance with ITU, V.23 and ETSI specifications. The device incorporates an optional Tx data retiming function and can be operated so that only the mark or space tone is produced.

The device may be used in a wide range of telephone telemetry systems and portable terminal and line powered applications, due to its low voltage requirement of 3.0V and very low current sleep mode with an operating current of 1mA typ.

A 3.58MHz standard Xtal/clock rate is required.

Features

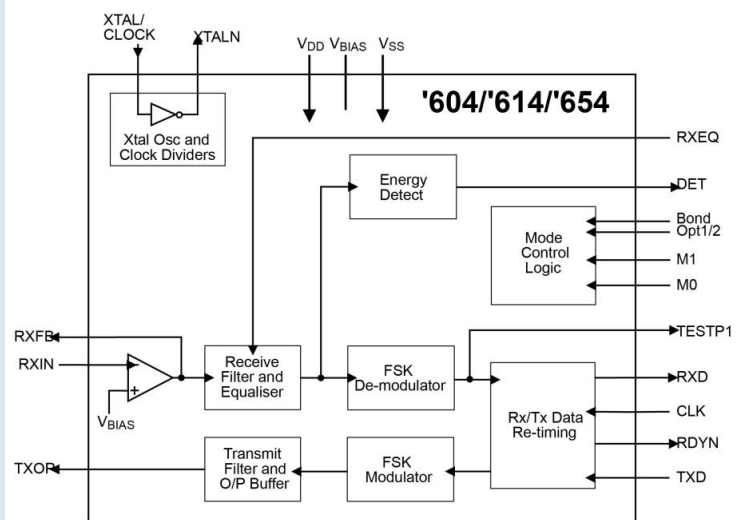
- 1200bps, V.23 transmit modulator
- Zero-power mode
- 1200bps Tx data retiming
- 3.58MHz Xtal/clock rate
- Meets ITU and ETSI specifications

Applications

- Caller ID generation for:
 - SDN terminal adapters
 - Wireless local loop systems
 - ISDN PABX applications
 - Pair-gain systems
 - Public switched telephone networks
 - Trunk exchanges

Supply Requirement

- 3.0 to 5.5V



CMX654 Block Diagram



WHAT TO DO NEXT

Visit: www.cmlmicro.com

Find: [Distributor](#)

CML Microcircuits Benefits

Faster time to market

Developing proven high performance and field tested ASSP ICs, CML is helping engineers to cope with increasing pressure in delivering shorter project design cycles.

Design flexibility

CML's FirmASIC® reconfigurable technology with the use of a Function Image upload enables a single hardware platform to be used for multiple communications systems.

High Quality

With 100% of products being tested before shipping, customers are assured of the highest reliability.

Product Longevity

Designing with CML products, manufacturers are rewarded with longer product life cycles and a stable BOM, ensuring minimum engineering costs and maximum profit.

Low Power

Being at the forefront of low power chip technology, manufacturers can develop smaller equipment with extended battery life.

Superior Support

Internal and field based applications teams worldwide provide focused customer support to ease the development process.

www.cmlmicro.com

United Kingdom
United States
Singapore

Tel: +44 (0) 1621 875500
Tel: +1 336 744 5050
Tel: +65 62888129

email: sales@cmlmicro.com
email: us.sales@cmlmicro.com
email: sg.sales@cmlmicro.com