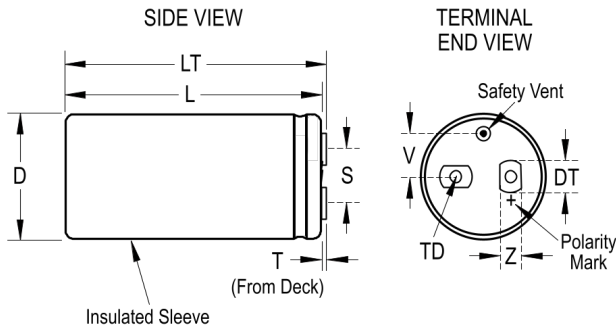


## ALS70A242KF450

Aliases (A390LM242M450A)

ALS70, Aluminum Electrolytic, 2,400 uF, 20%, 450 VDC, -40/+85°C



Click [here](#) for the 3D model.

### Dimensions

|    |                 |
|----|-----------------|
| D  | 51mm +/-1mm     |
| L  | 105mm +/-2mm    |
| T  | 5.5mm +/-0.5mm  |
| S  | 22.2mm +/-0.5mm |
| DT | 13mm +/-0.5mm   |
| LT | 110.5mm +/-1mm  |
| TD | 10mm MIN        |
| V  | 13.7mm NOM      |
| Z  | 10mm NOM        |

### Packaging Specifications

|           |      |
|-----------|------|
| Sleeving  | Yes  |
| Packaging | Tray |

### General Information

|                  |   |
|------------------|---|
| Series           | ALS70   |
| Dielectric       | Aluminum Electrolytic   |
| Description      | Screw Terminal, Aluminum Electrolytic   |
| RoHS             | Yes   |
| AEC-Q200         | No  |
| Halogen Free     | Yes   |
| Component Weight | 300 g   |
| Notes            | Dimensions D And L Include Sleeving. MS (MxH) = M12x16. Mounting Clamp (Sold Separately): V4/2737 |
| Shelf Life       | 156 Weeks   |

### Specifications

|                       |   |
|-----------------------|---|
| Capacitance           | 2,400 uF  |
| Capacitance Tolerance | 20%   |
| Voltage DC            | 450 VDC, 495 VDC (Surge)  |
| Temperature Range     | -40/+85°C   |
| Rated Temperature     | 85°C  |
| Life                  | 18000 Hrs (Rated Voltage And Ripple Current At 85C), 36000 Hrs (Rated Voltage At 85C) |
| Resistance            | 80 mOhms (100Hz 20C), 52 mOhms (10kHz 20C)  |
| Ripple Current        | 8.8 Amps (100Hz 85C), 15.2 Amps (10kHz 85C)   |
| Leakage Current       | 6000 uA   |