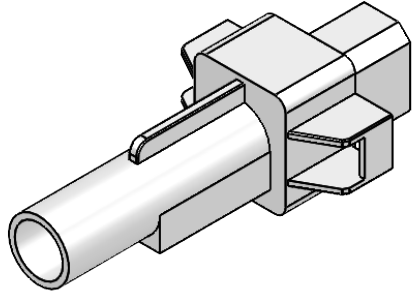
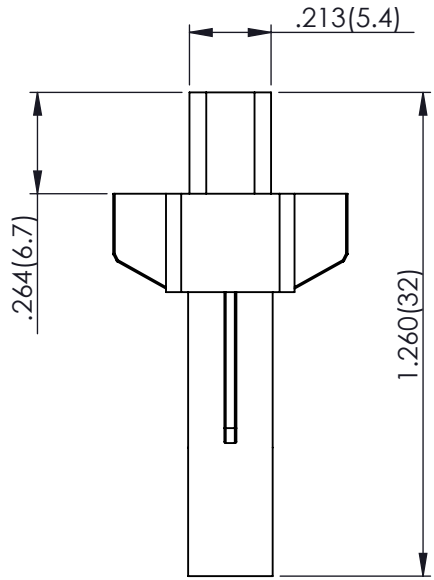


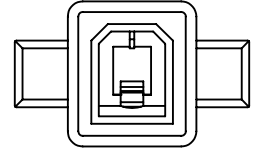
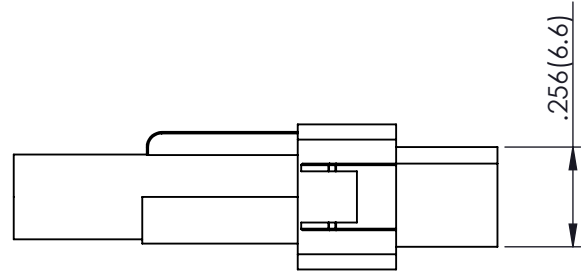
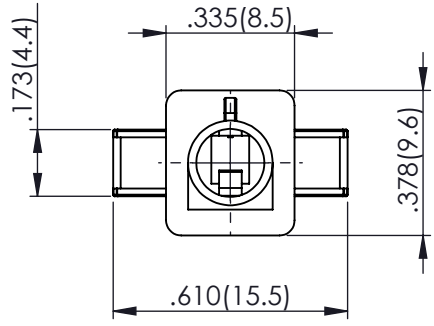
THIS IS A C.A.D. GENERATED DRAWING
DO NOT MAKE MANUAL REVISIONS TO MASTER.



ISSUE NUMBER
ORIGINAL ①



- MATERIALS:**
1. HOUSING: PBT, UL94V-0
- SPECIFICATIONS:**
1. RATED VOLTAGE: 300V
2. RATED CURRENT: 5A MAX
3. WITHSTAND VOLTAGE: AC1700V R.M.S.
4. CONTACT RESISTANCE: 10 mOHMS MAX
5. INSULATION RESISTANCE:
1000 MOHMS MIN/DC 500V
6. TEMPERATURE RANGE: -40°C ~ +105°C
7. WATERPROOF GRADE: JIS C0920
SPLASHPROOF



Waterproof Connector, Male Housing
567-001-000-310

ACAD REFERENCE NO.	567-001-000-310
DRAWN: R.STA.MONICA	DATE: NOV.10/10
CHECKED:	DATE:
SCALE: NOT TO SCALE	SHEET 1 OF 1
DRAWING NUMBER	ISSUE
567-001-000-310	1



THIS SERIES FULLY CONFORMS TO THE
EUROPEAN UNION DIRECTIVES 2002/95/EC
AND 2002/96/EC FOR RoHS COMPLIANCY

EDAC EDAC INC
TORONTO, ONTARIO
CANADA
YOUR CONNECTION TO QUALITY & SERVICE

THESE DRAWINGS AND SPECIFICATIONS
ARE THE PROPERTY OF EDAC INC. AND
SHALL NOT BE REPRODUCED, OR COPIED
OR USED AS THE BASIS FOR THE
MANUFACTURE OR SALE OF APPARATUS
WITHOUT WRITTEN PERMISSION.