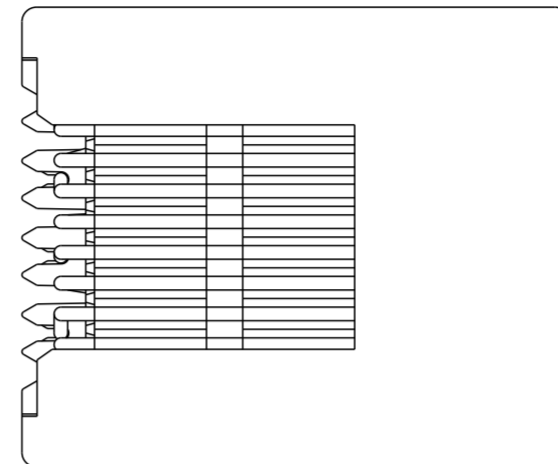
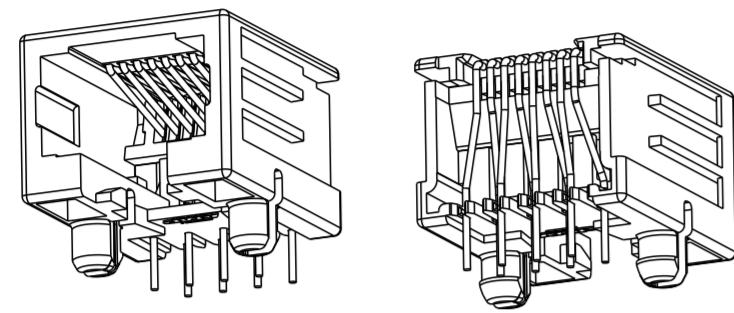


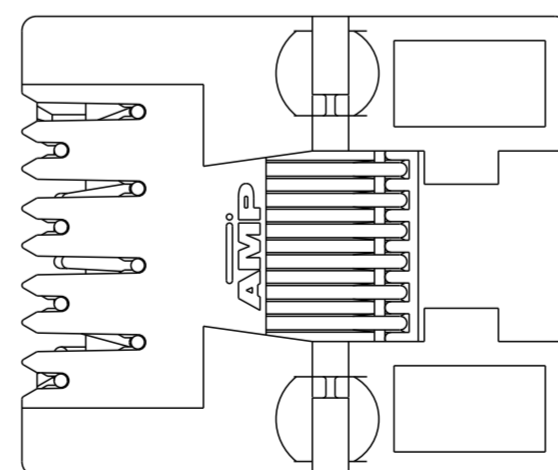
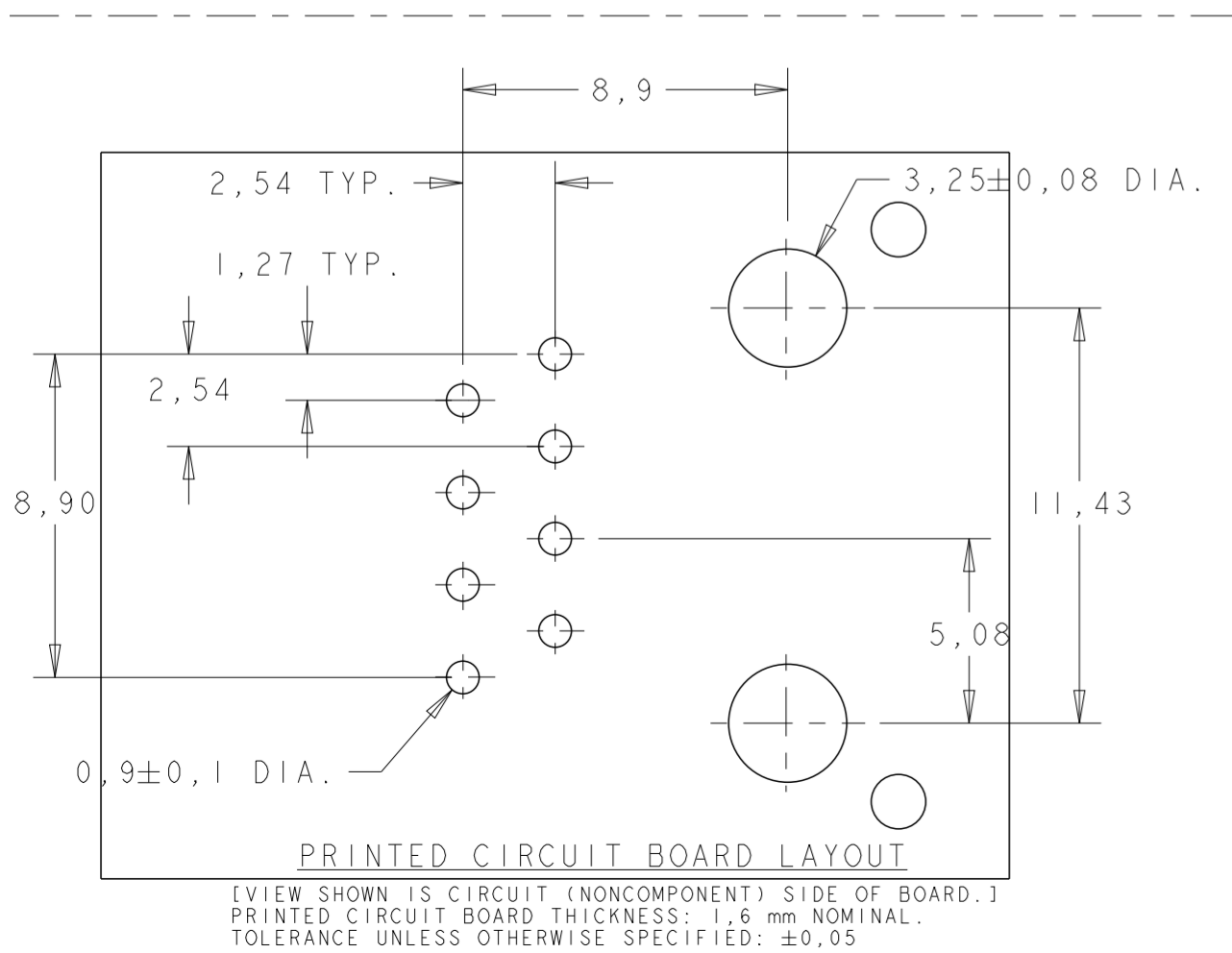
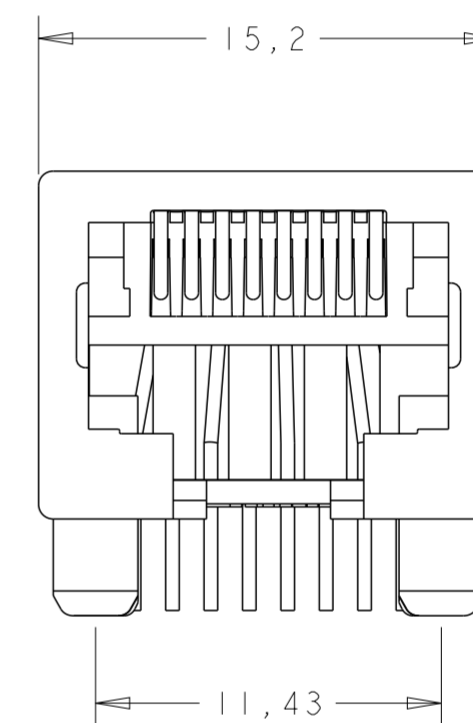
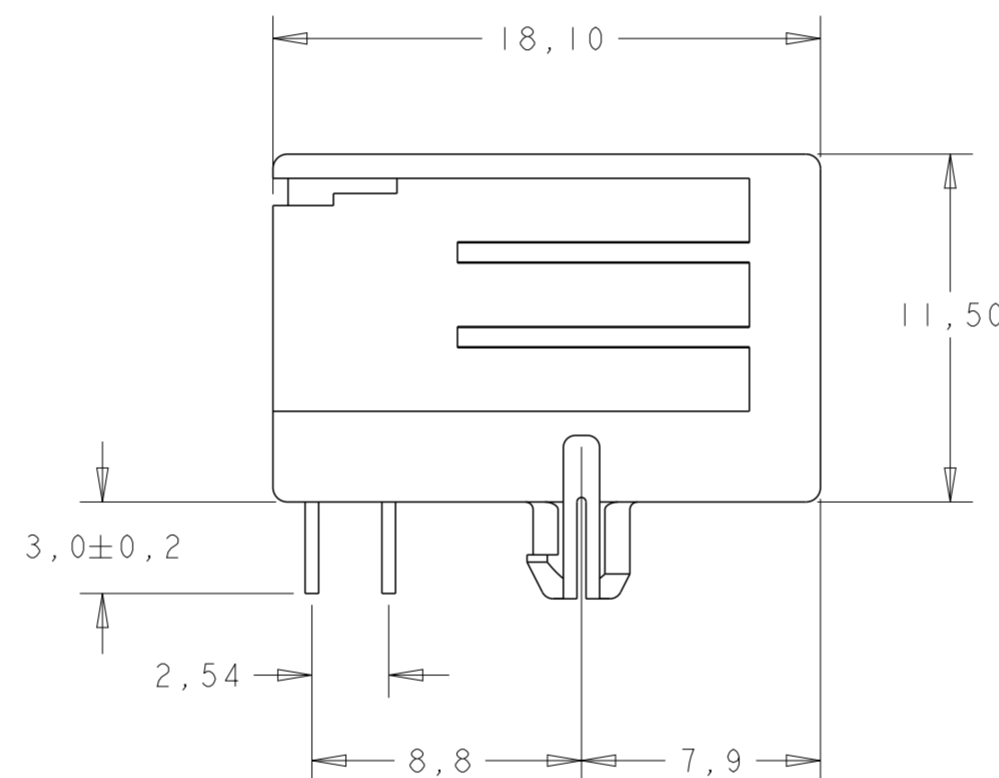
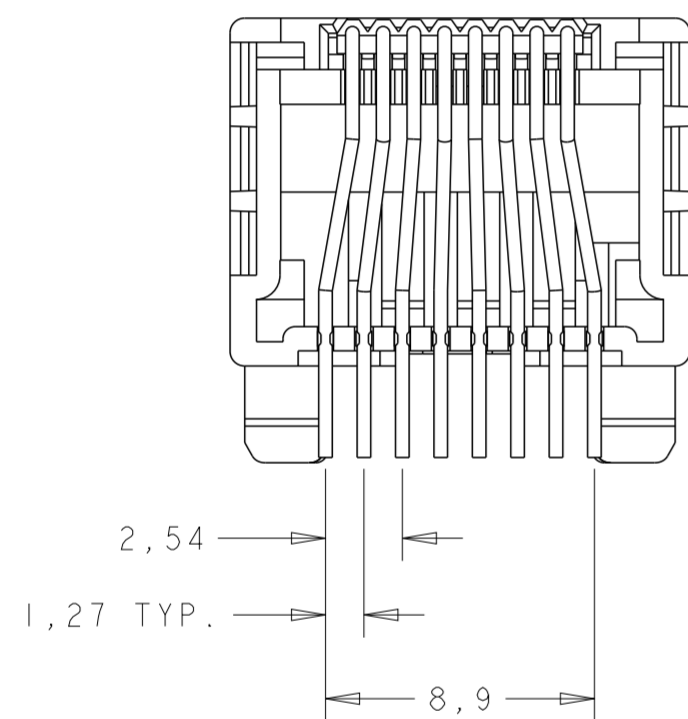
THIS DRAWING IS UNPUBLISHED. RELEASED FOR PUBLICATION
 © COPYRIGHT - ALL RIGHTS RESERVED.

LOC	DIST	REVISIONS			
P	LTR	DESCRIPTION	DATE	DWN	APVD
	AF	ECR-10-020218	21JUN2011	PS	RRP
	AF1	REVISED PER ECO-12-008315	12MAY2015	AD	SH
	AF2	ECR-21-115074	03JAN2022	RR	SZ



NOTES:

- 1 TOLERANCE UNLESS OTHERWISE SPECIFIED: $\pm 0,15$.
- 2 FOR THIS PACKAGING METHOD THE TRUE POSITION OF THE SOLDER TINES IS NOT GUARANTEED.
- 3 SUPERSEDED BY 1-215877-3



PACKAGING	REMARKS	FINISH	MATERIAL	ORDER NUMBER
1000 PIECES BULK PACKAGED			HOUSING COLOR: BLUE RAL 5017	4-215877-1
1000 PIECES BULK PACKAGED			HOUSING COLOR: GREY	3-215877-1
200 PIECES IN A TRAY			HOUSING COLOR: BLACK PBT, UL 94V-0 CONTACT INSERT: PBT, UL 94V-0 CONTACTS: ϕ h BRONZE	1-215877-3
90 PIECES IN MULTI-TUBE				1-215877-1
TAPE MOUNTED 700 PCS./REEL				215877-1

THIS DRAWING IS A CONTROLLED DOCUMENT.

DWN: E.v.Eijk
 CHK: M.v.Essen
 APVD: R.Smeets

TE Connectivity

MODULAR JACK, 8 POS SIDE ENTRY FOR PRINTED CIRCUIT BOARD

SIZE: A2 CAGE CODE: C-215877 DRAWING NO: 114-19019 RESTRICTED TO: -

MATERIAL: - DIMENSIONS: mm TOLERANCES UNLESS OTHERWISE SPECIFIED: 0 PLC \pm , 1 PLC \pm , 2 PLC \pm , 3 PLC \pm , 4 PLC \pm , ANGLES \pm , FINISH -

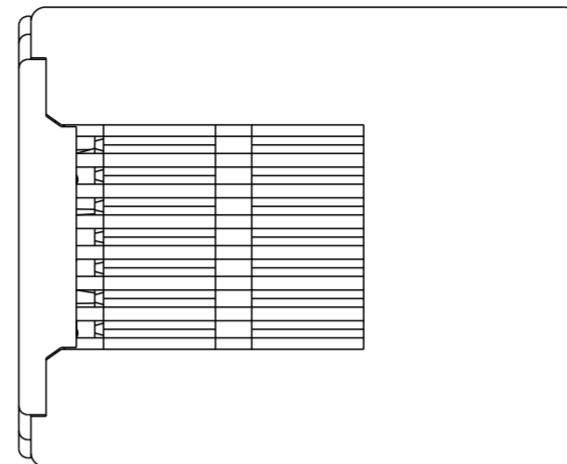
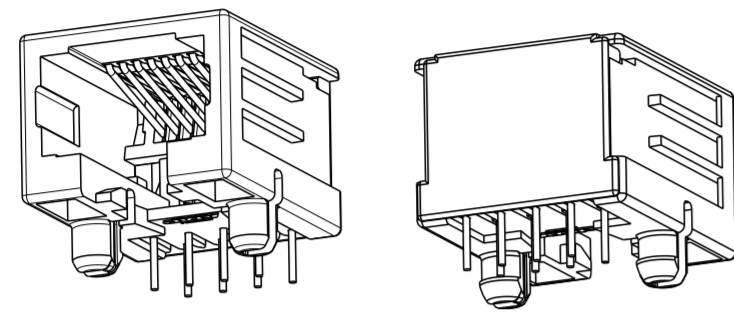
PRODUCT SPEC: 108-19064
 APPLICATION SPEC: 114-19019

WEIGHT: -

CUSTOMER DRAWING SCALE: 4:1 SHEET 1 OF 2 REV: AF2

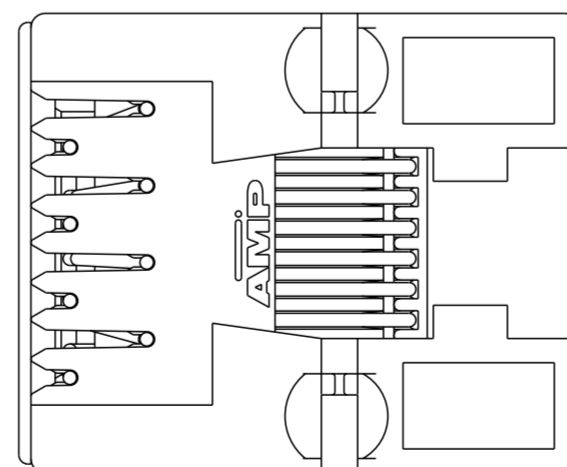
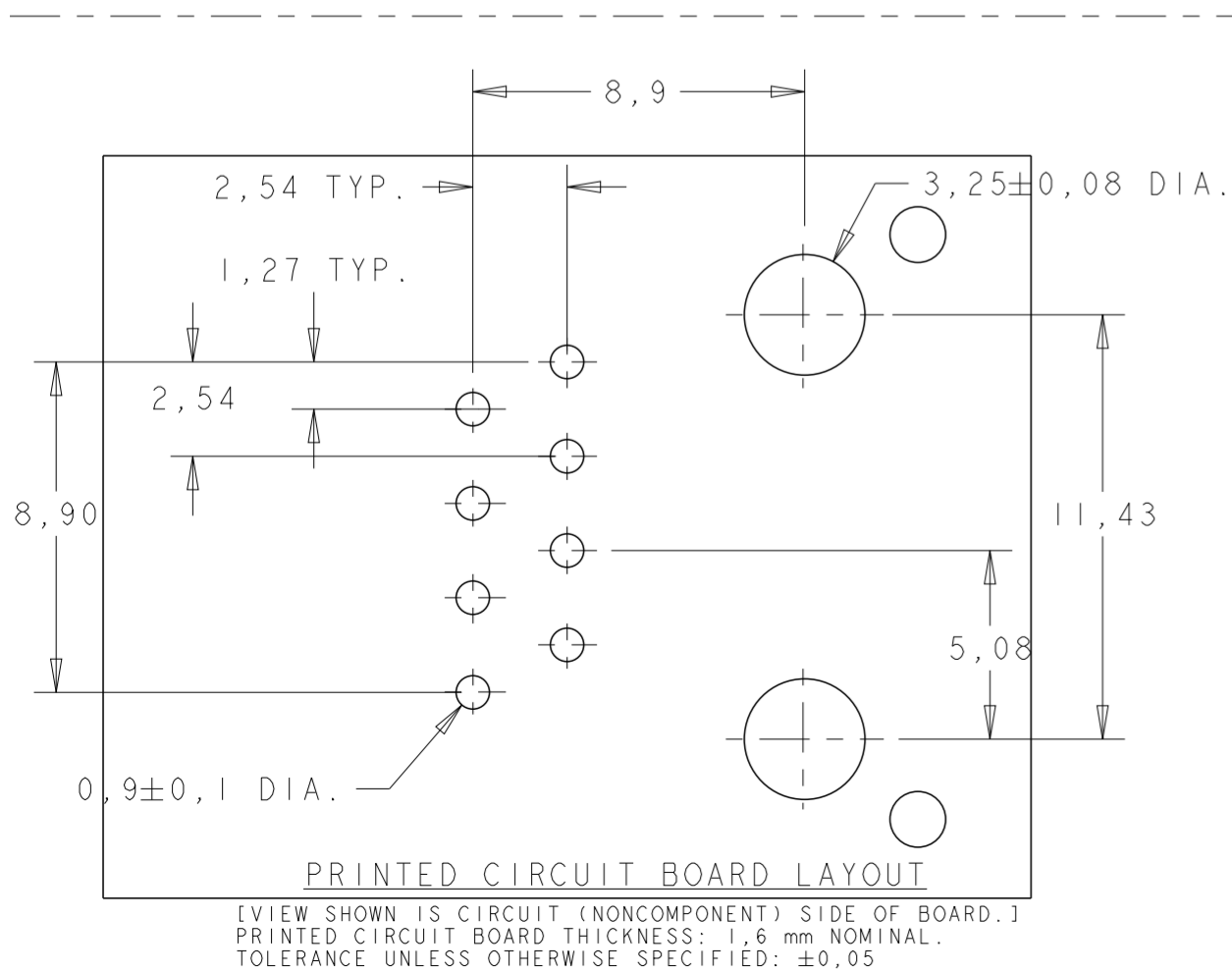
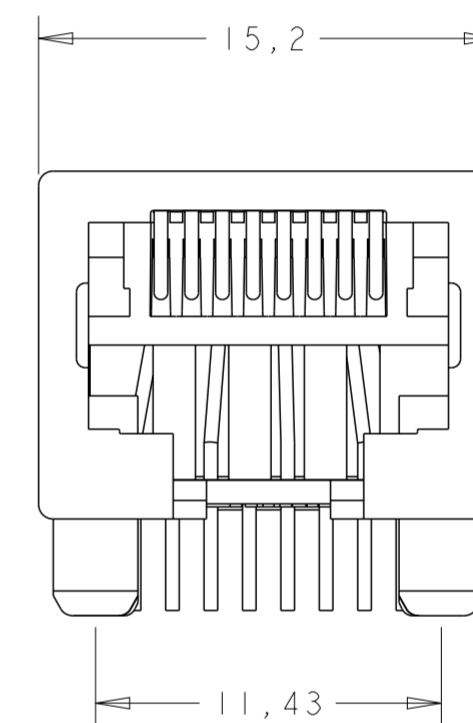
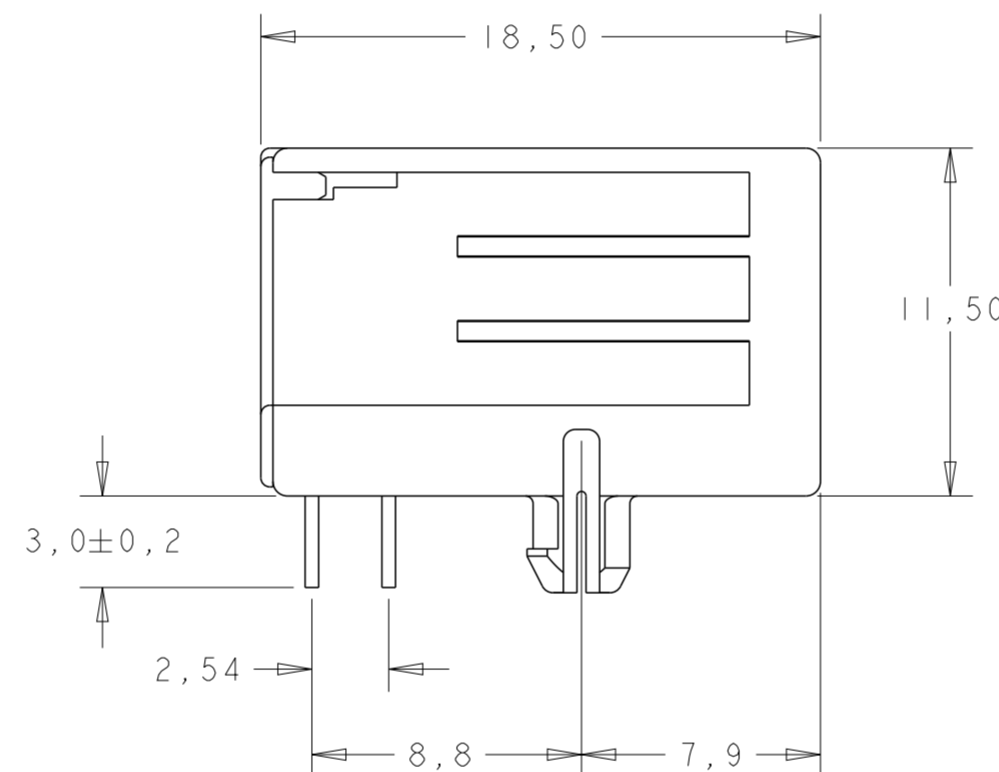
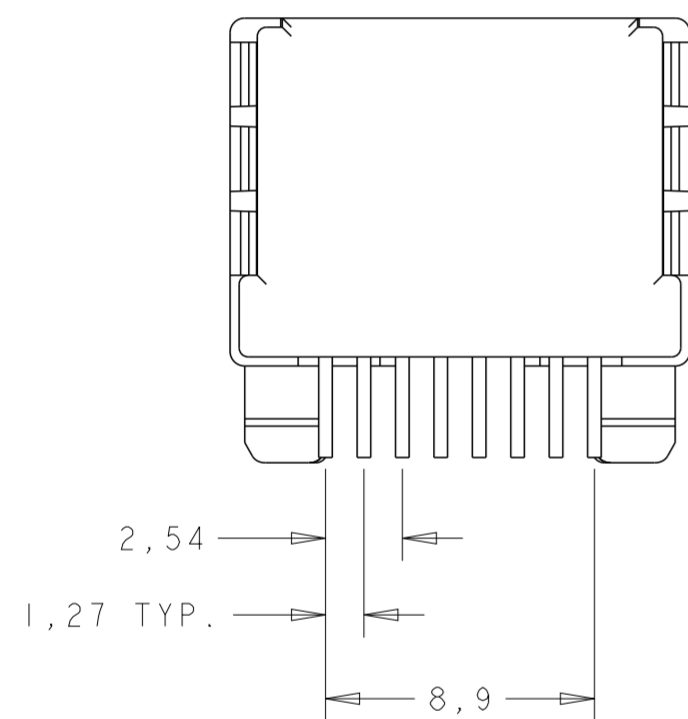
THIS DRAWING IS UNPUBLISHED. RELEASED FOR PUBLICATION
 © COPYRIGHT - ALL RIGHTS RESERVED.

LOC	DIST	REVISIONS			
P	LTR	DESCRIPTION	DATE	DWN	APVD
IR	-	SEE SHEET 1	-	-	-



NOTES:

- 1 TOLERANCE UNLESS OTHERWISE SPECIFIED: $\pm 0,15$.
- 2 FOR THIS PACKAGING METHOD THE TRUE POSITION OF THE SOLDER TINES IS NOT GUARANTEED.



PACKAGING	REMARKS	FINISH	MATERIAL	ORDER NUMBER
1000 PIECES BULK PACKAGED				INACTIVE 5-215877-3 NOT TOOLED
200 PIECES IN A TRAY	8 POS. / 8 CONTACTS		IN CONTACT AREA: 1,2µm MIN. SEL. GOLD OVER 1,2µm MIN. NICKEL. SOLDER TINES: 2,5µm MIN. TIN OVER 1,2µm MIN. NICKEL.	HOUSING COLOR: BLACK PBT, UL 94V-0 CONTACT INSERT: PBT, UL 94V-0 CONTACT COVER: BLACK PBT, UL 94V-0 CONTACTS: PH BRONZE
TAPE MOUNTED 700 PCS./REEL				INACTIVE 5-215877-2 NOT TOOLED
				INACTIVE 5-215877-1 NOT TOOLED

THIS DRAWING IS A CONTROLLED DOCUMENT.

DWN	E.v.Fijk	NAME	MODULAR JACK, 8 POS SIDE ENTRY FOR PRINTED CIRCUIT BOARD	
CHK	M.v.Essen	SIZE	A2	RESTRICTED TO
APVD	R.Smeets	CAGE CODE	C-215877	
PRODUCT SPEC	108-19064	DRAWING NO		
APPLICATION SPEC	114-19019	SCALE	4:1	SHEET 2 OF 2
MATERIAL	-	WEIGHT	-	REV AF2
CUSTOMER DRAWING				

STE TE Connectivity