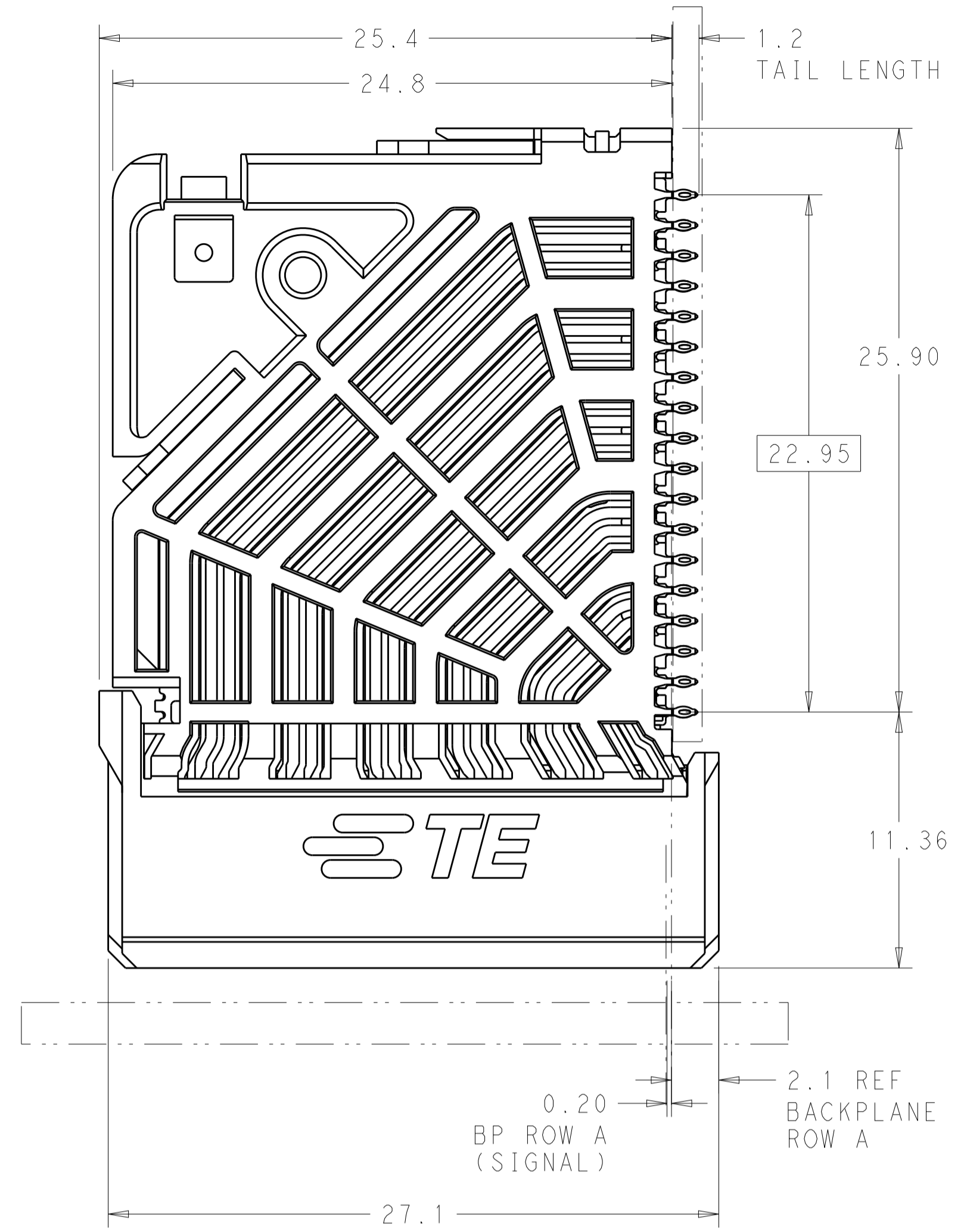
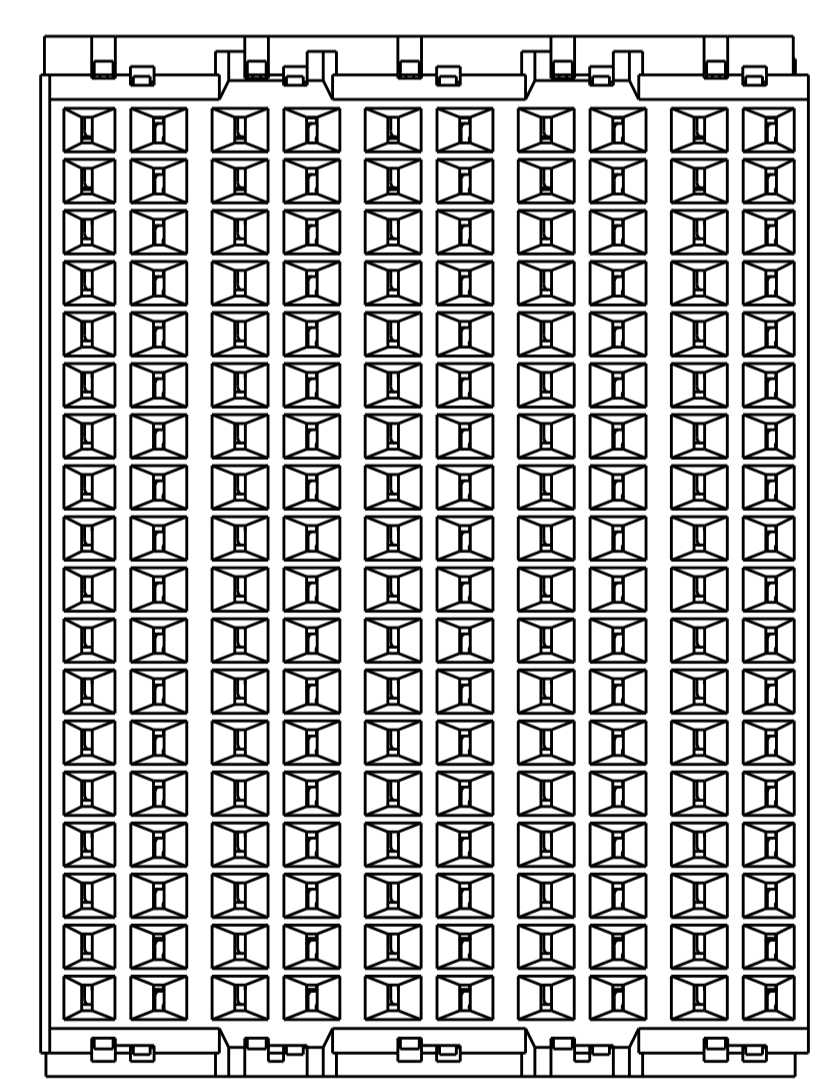
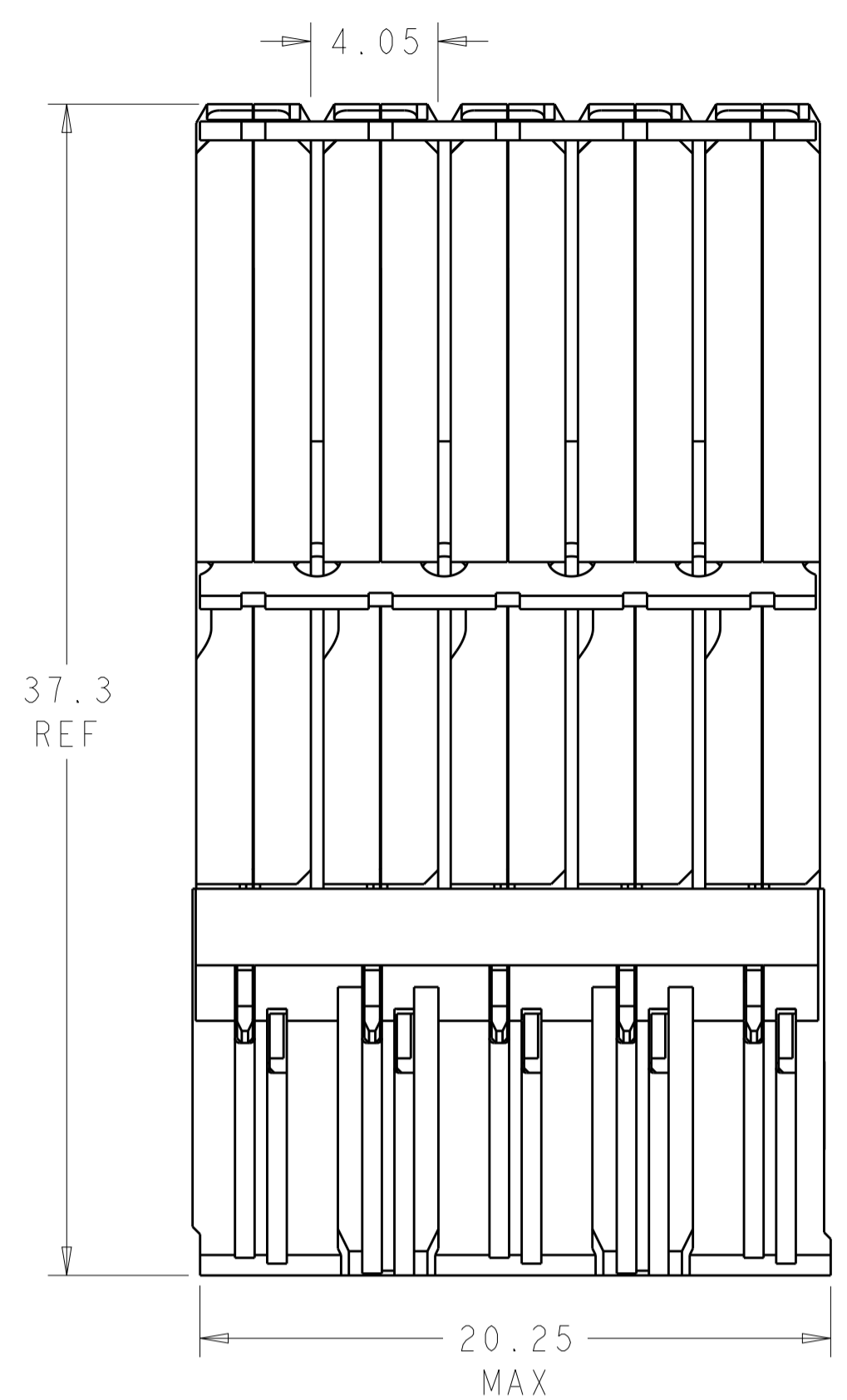
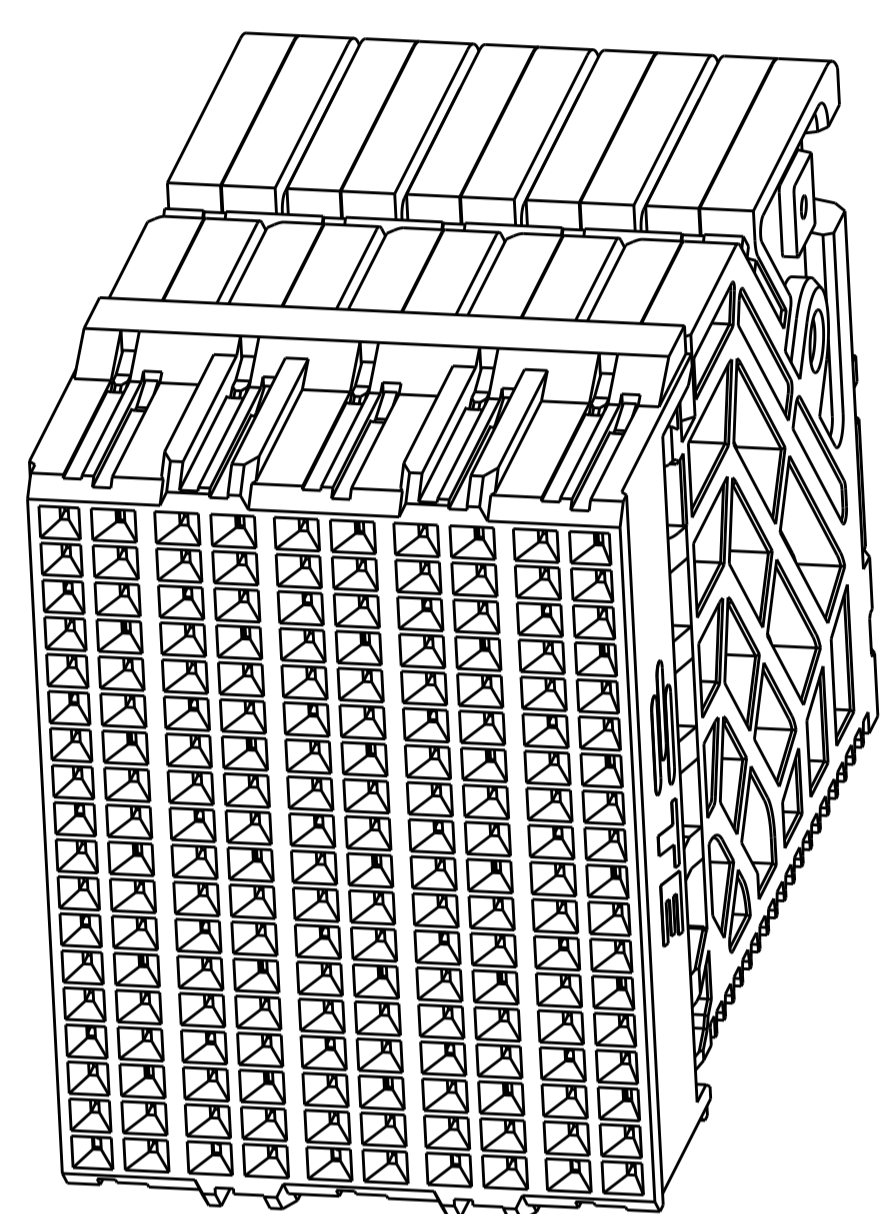


LOC		DIST		REVISIONS			
AD	00	P	LTN	DESCRIPTION	DATE	DWN	APVD
		D		REVISED PER ECO-15-012351	03SEP2015	AP	SY



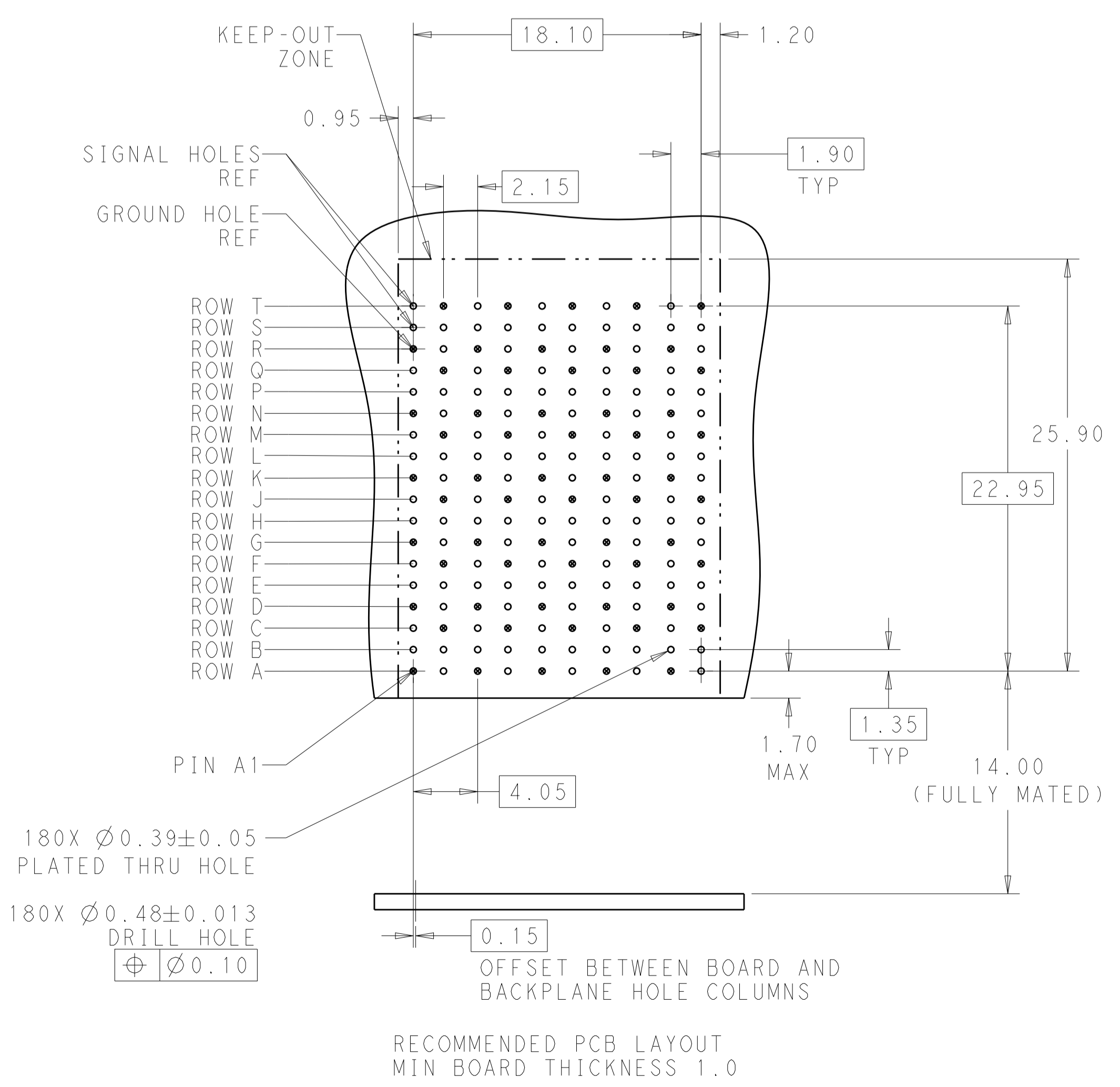
⚠ MATERIAL:  
 HOUSING: LCP, GLASS FILLED, UL94V-0.  
 TERMINALS: HIGH PERFORMANCE COPPER ALLOY.

⚠ FINISH:  
 30μ" SELECTIVE GOLD IN CONTACT AREA. SELECTIVE TIN ON PCB TAILS, NICKEL OVERALL.



SCALE 4:1

REFER TO WWW.TE.COM FOR PRODUCT AVAILABILITY



NONE	⚠	2132720-1
KEY POSITION	FINISH	PART NUMBER
<b>TE</b> TE Connectivity		
DWN: 11MAY2011 CHK: D. DIXON 11MAY2011 APVD: D. DIXON 11MAY2011		NAME: IMPACT, ORTHOGONAL, 6 PAIR, DAUGHTERCARD, 10 COLUMN, NO GUIDE, SIGNAL MODULE, 0.39 EYELET
DIMENSIONS: mm TOLERANCES UNLESS OTHERWISE SPECIFIED: 0 PLC ± 1 PLC ±0.25 2 PLC ±0.15 3 PLC ± 4 PLC ± ANGLES ±		SIZE: CAGE CODE DRAWING NO: A100779 ©=2132720
MATERIAL: SEE TABLE		WEIGHT: -
Customer Drawing		SCALE: 5:1 SHEET 1 OF 1 REV D