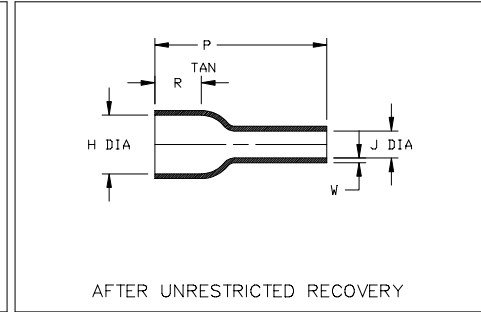
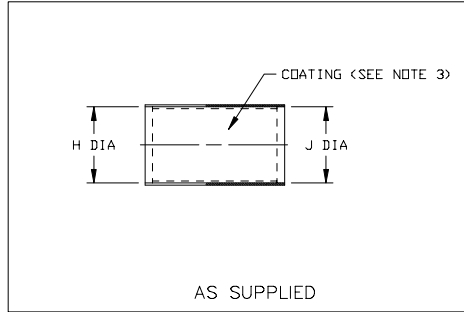


Thermofit[®] Molded Parts
 Specification Control Drawing
 Limited Distribution

Part Number : 202A312-X-12
 Description : Boot, Straight

NOTES

- All dimensions are in $\frac{\text{inches}}{\text{[millimeters]}}$
- Dimensions appearing in table are as follows:
 a - As Supplied
 b - After Unrestricted Recovery
- Coating is optional. As supplied dimensions appearing in table are for uncoated parts. When coating is added, entry diameters will be reduced by .06 max.



PART NUMBER	H		J		P	R	W
	Min	Max	Min	Max			
	a	b	a	b	$\begin{matrix} +.25 \\ -0.0 \\ b \end{matrix}$	Ref b	$\pm 20\%$ b
202A312-X-12	$\frac{.79}{[20,1]}$	$\frac{.64}{[16,3]}$	$\frac{.79}{[20,1]}$	$\frac{.24}{[6,1]}$	$\frac{2.25}{[57,1]}$	$\frac{.62}{[15,7]}$	$\frac{.08}{[2,03]}$

Raychem

RAYCHEM CORPORATION
 300 CONSTITUTION DRIVE
 MENLO PARK, CALIFORNIA 94025

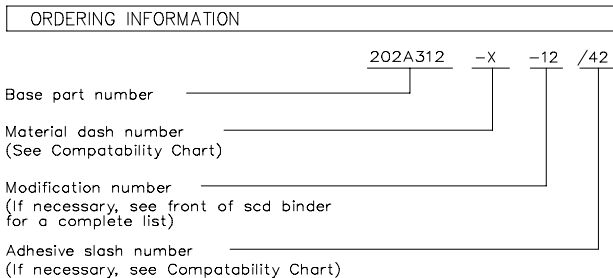
Revision : A
 Date : 10/14/98

Part Number : 202A312-X-12
 Description : Boot, Straight

Thermofit[®] Molded Parts
 Specification Control Drawing
 Limited Distribution

Part Number : 202A312-X-12
 Description : Boot, Straight

COMPATABILITY CHART					
MATERIAL DASH NO.	MATERIAL DESCRIPTION	RT SPEC	COATING SLASH NO.	COATING S NO.	COATING DESCRIPTION
-3	Polyolefin, Semi-rigid	RT-301	/42	S-1017	Adhesive
-4	Polyolefin, Flexible	RT-1304	/42	S-1017	Adhesive



THIS DRAWING IS SUBJECT TO CHANGE WITHOUT NOTICE; CONSULT YOUR NEAREST FIELD REPRESENTATIVE FOR CURRENT REVISION

Raychem

RAYCHEM CORPORATION
 300 CONSTITUTION DRIVE
 MENLO PARK, CALIFORNIA 94025

Revision : A
 Date : 10/14/98

Part Number : 202A312-X-12
 Description : Boot, Straight

CAD FILE MP98171