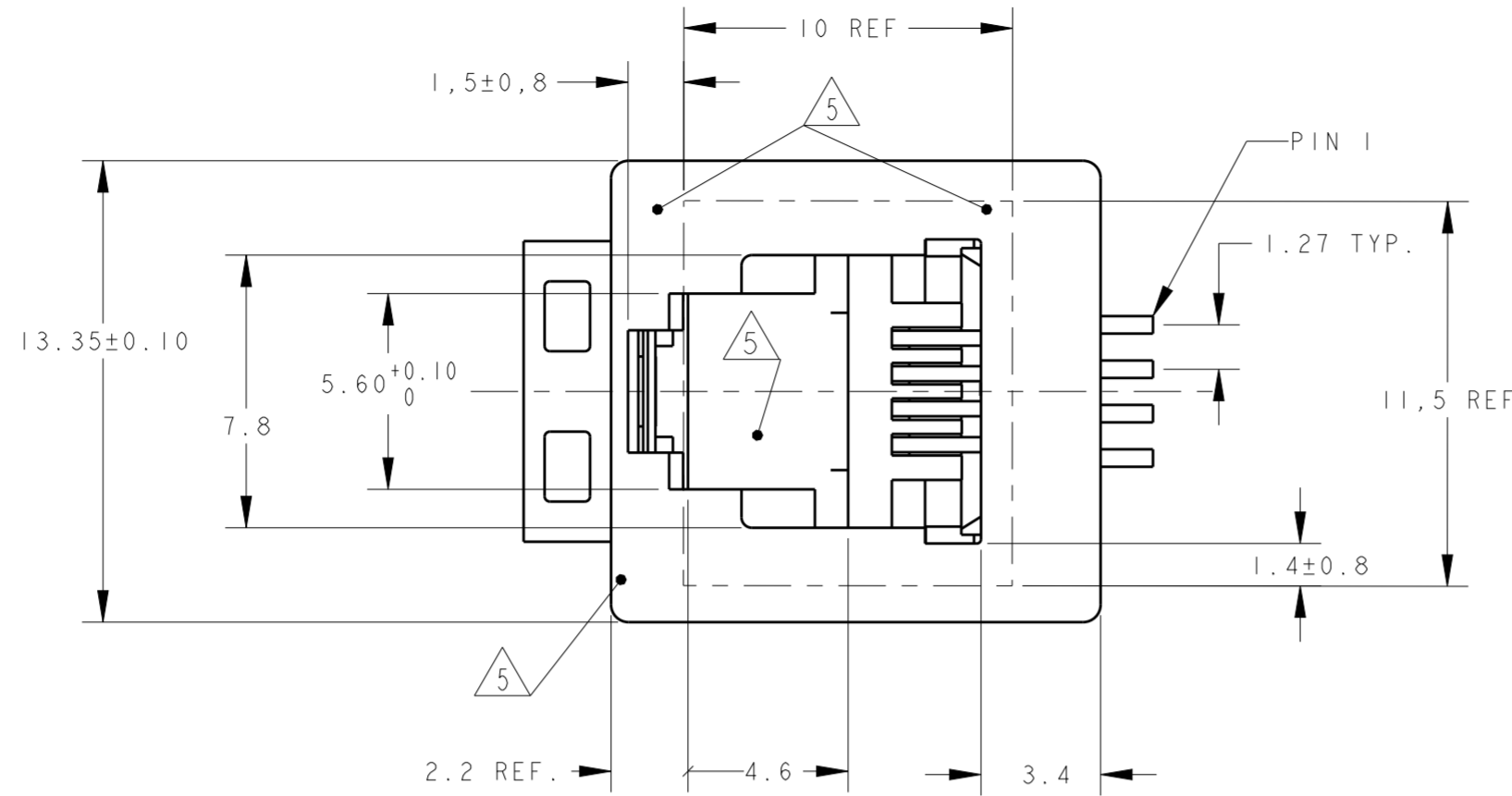
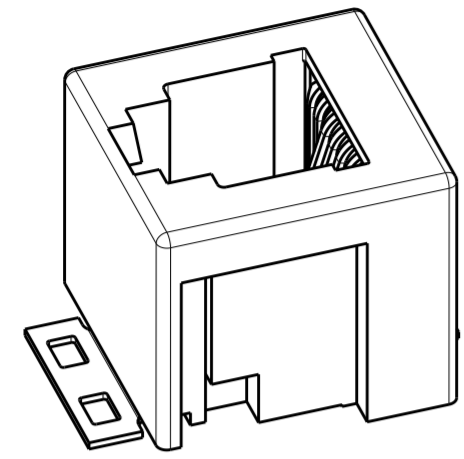
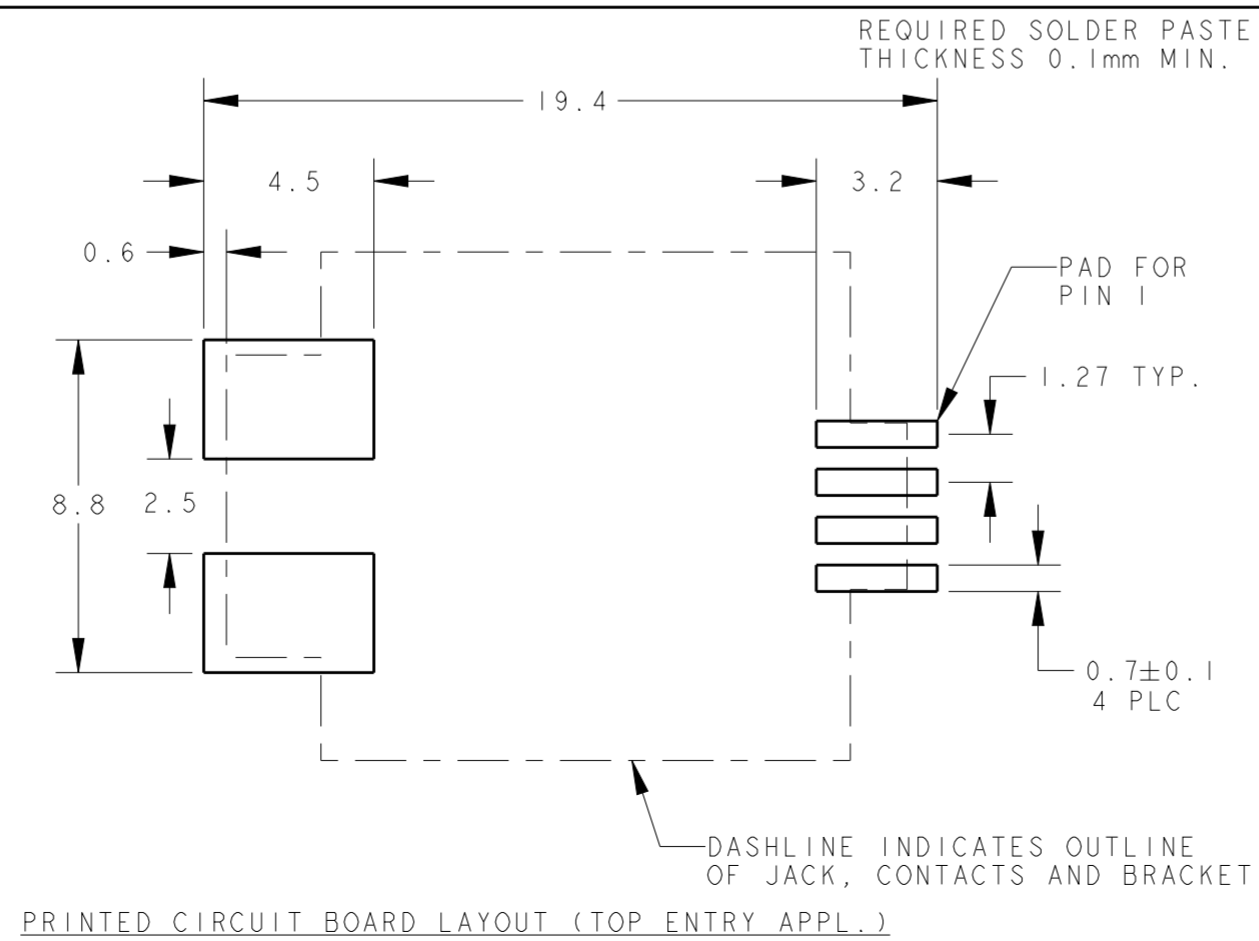
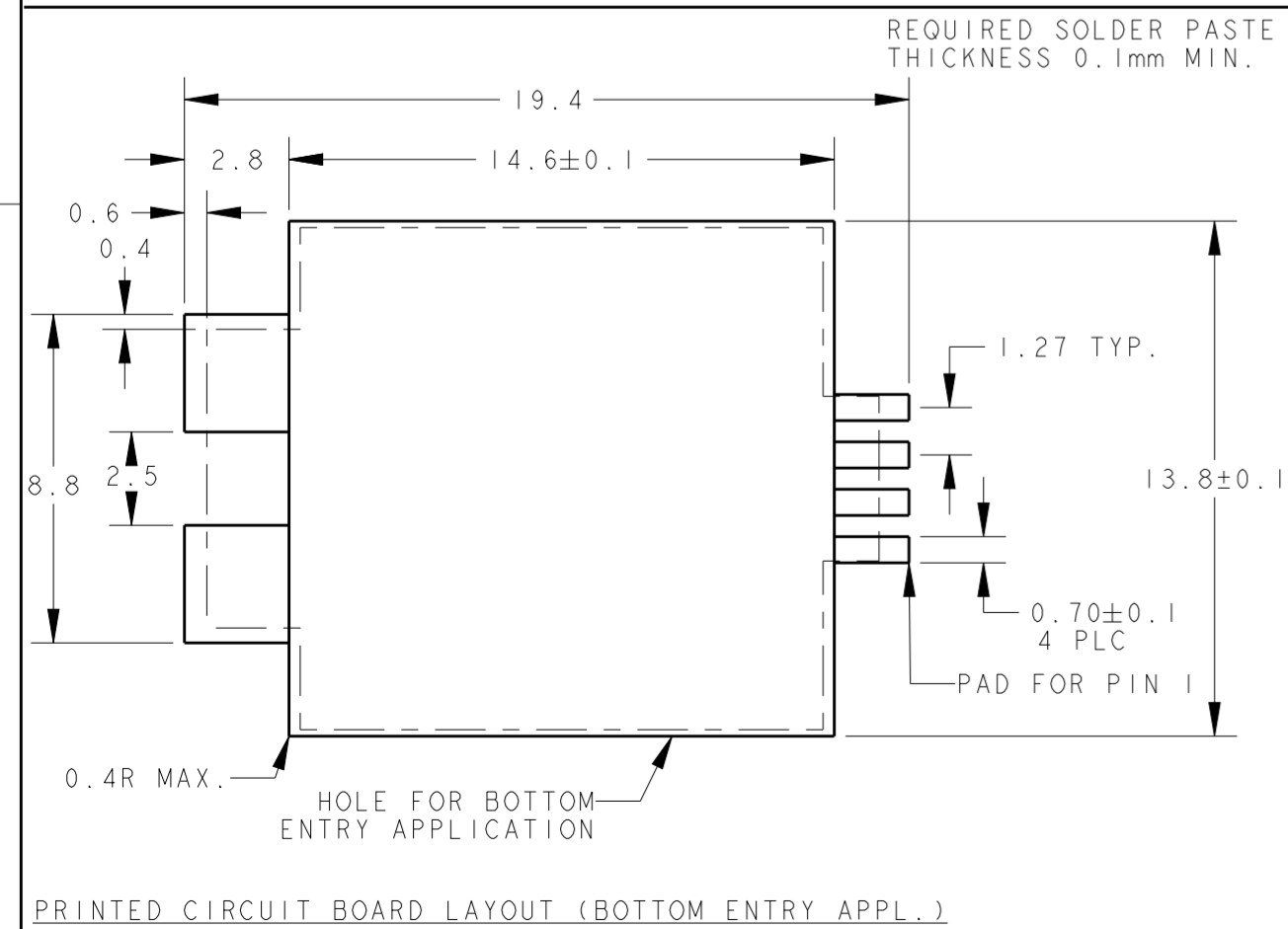
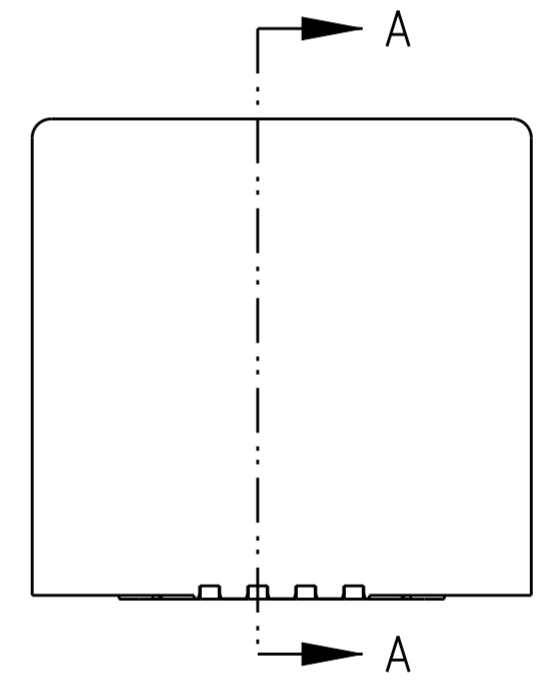
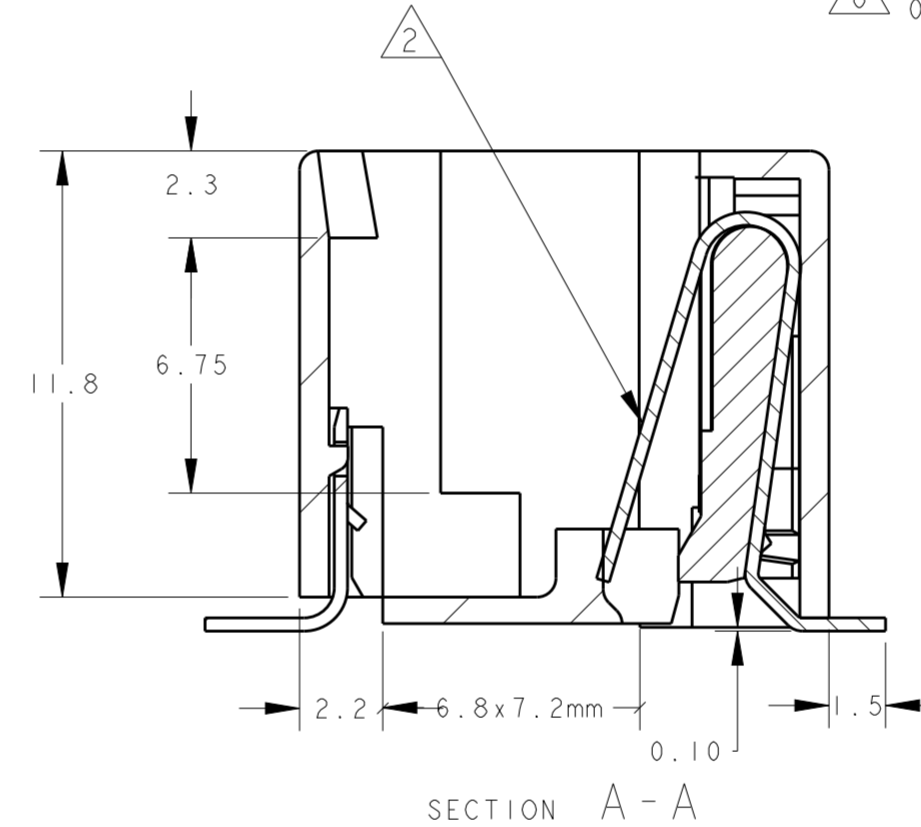
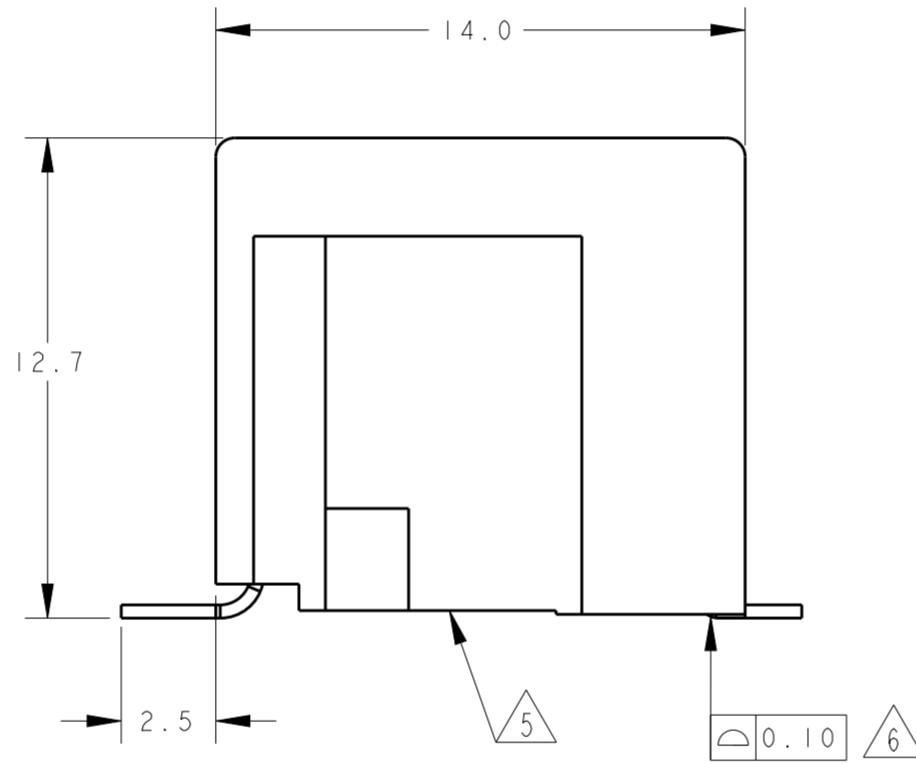
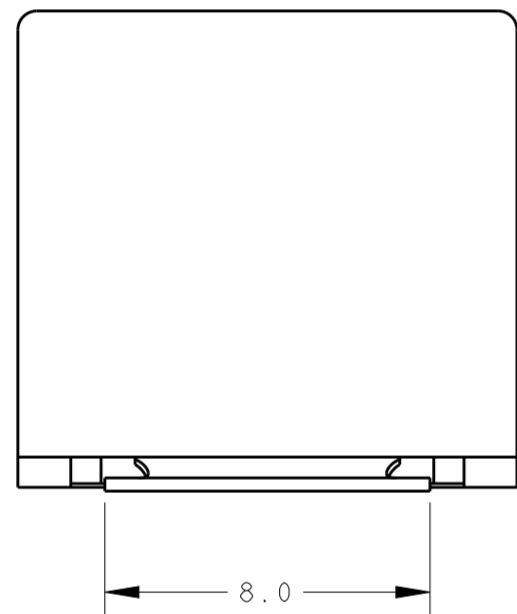


THIS DRAWING IS UNPUBLISHED. RELEASED FOR PUBLICATION
 © COPYRIGHT ALL RIGHTS RESERVED.

LOC		DIST		REVISIONS			
P	LTR	DESCRIPTION	DATE	DWN	APVD		
	D	HOUSING RIB STRENGTHENED AND RAWMATERIAL CHANGED TO PAAT	06JAN2012	PS	RRP		
	E	ECO-16-001320	13JUN2016	AD	SH		



- NOTES:
- TOLERANCES UNLESS OTHERWISE SPECIFIED: ±0.15.
 - CONTACT PLATING:
 OVERALL: Ni 1.27µm MIN. ALL OVER THE CONTACTS
 SOLDER ZONE: Sn 3.5-5.0µm ON THE SOLDER ZONE OF THE CONTACT
 MATING ZONE: PLATING CONFIRMS TO PRODUCT REQUIREMENTS AS PER SPECIFICATION 108-19117
 - MATERIALS:
 HOUSING: 30% G.F. LCP COLOR BLACK, UL 94V-0.
 CONTACTS: PHOSPHOR BRONZE
 SOLDER BRACKET: TIN PLATED BRASS WITH NICKEL UNDERPLATE.
 - THIS JACK CAN ALSO BE APPLIED HANGING THROUGH A HOLE, IN A PRINTED CIRCUIT BOARD. SEE LEFT PCB LAYOUT.
 - SURFACE CAN BE USED FOR PICKING THE MODULAR JACK WITH, TYPE II SMD MACHINE.
 - MEASURED AT HEEL OF CONTACTS
 COPLANARITY AT TIPS OF CONTACTS MAX. 0.18mm
 - TAPE AND REEL PACKAGING ACCORDING TO EIA 481-3 SPECIFICATIONS.
 - INCLUDES KAPTON TAPE (10x11.5mm) ON TOP SURFACE AS PICK AND PLACE FEATURE.



4 POS. / 4 CONT.	300 PCS ON Ø360 mm OD REEL. TOP ENTRY ORIENTATION PER DETAIL B	1982198-2
4 POS. / 4 CONT.	300 PCS ON Ø360 mm OD REEL. TOP ENTRY ORIENTATION PER DETAIL B	1982198-1
REMARKS	PACKAGING	PART NUMBER

THIS DRAWING IS A CONTROLLED DOCUMENT.

DWN VATHSA 18Dec2006
 CHK PREMJIITH 18Dec2006

APVD

PRODUCT SPEC 108-19117
 APPLICATION SPEC 114-19041
 WEIGHT -

MATERIAL - SEE NOTE 3
 FINISH - SEE NOTE 2

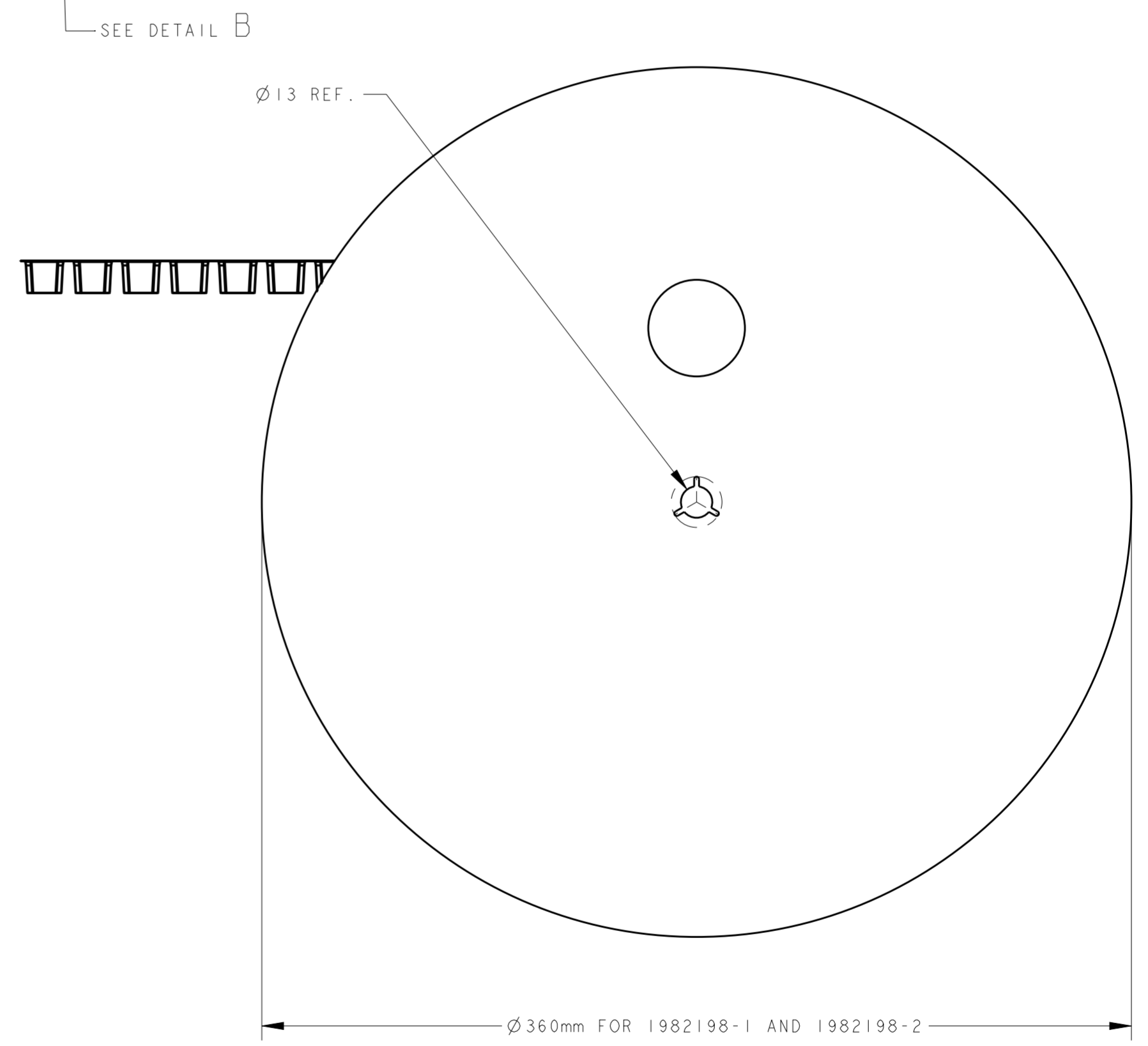
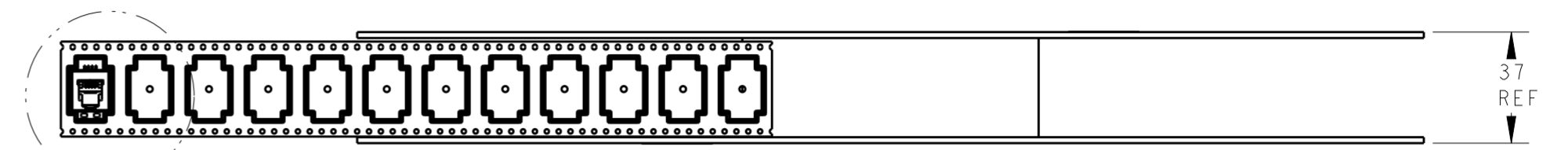
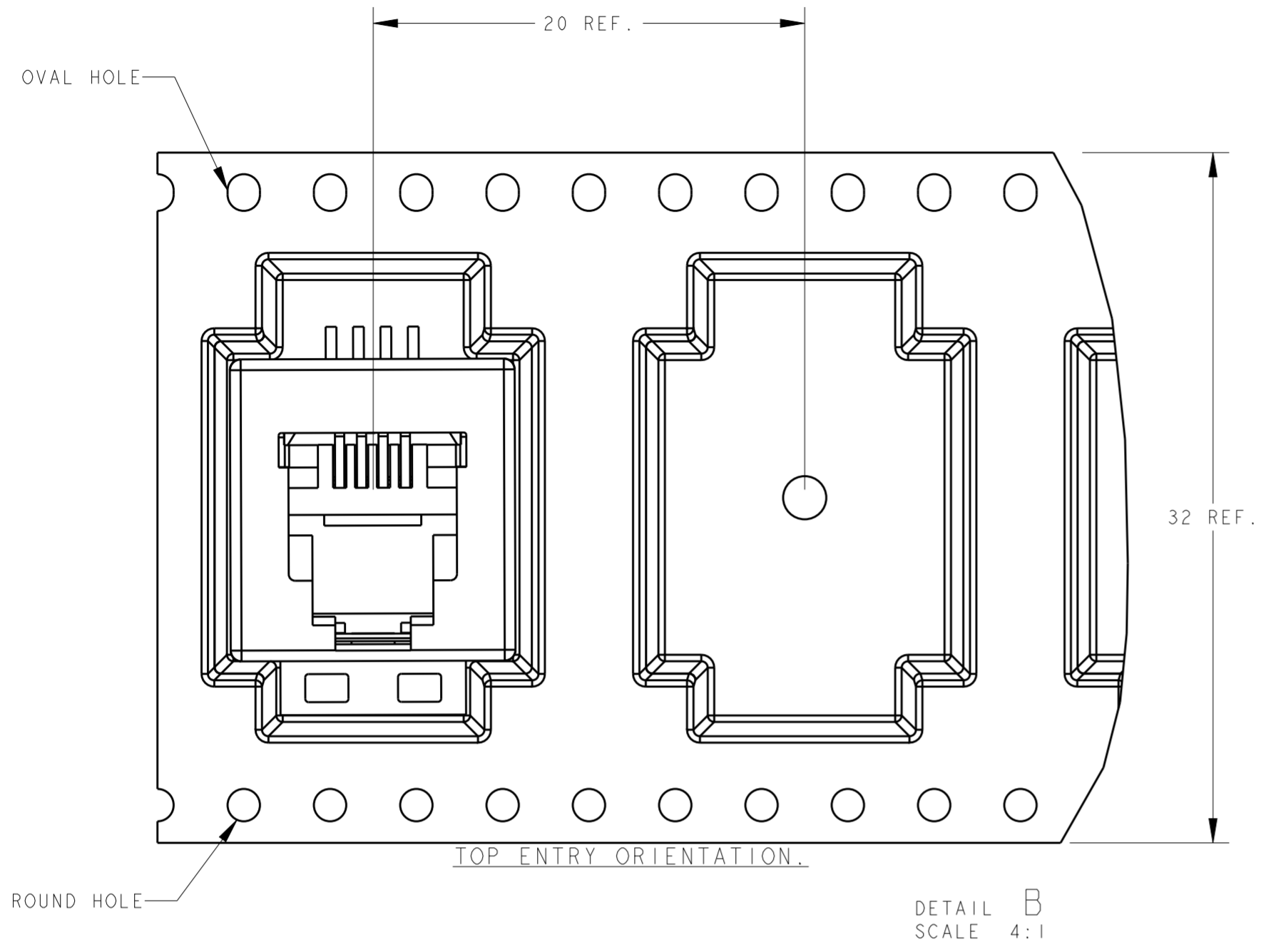
NAME INVERTIBLE MODULAR JACK, 4 POSITION HANDSET SURFACE MOUNT APPLICATION

SIZE A2
 CAGE CODE
 DRAWING NO. C-1982198
 RESTRICTED TO -

CUSTOMER DRAWING SCALE 5:1 SHEET 1 OF 2 REV E

THIS DRAWING IS UNPUBLISHED. RELEASED FOR PUBLICATION
 © COPYRIGHT ALL RIGHTS RESERVED.

LOC		DIST		REVISIONS			
P	LTR	DESCRIPTION	DATE	DWN	APVD		
-	-	SEE SHEET 1	-	-	-		



THIS DRAWING IS A CONTROLLED DOCUMENT.		DWN Vathsa 18 Dec 06	STE TE Connectivity	
		CHK Premjith 18 Dec 06		
DIMENSIONS: mm		APVD	NAME	
TOLERANCES UNLESS OTHERWISE SPECIFIED:		PRODUCT SPEC	INVERTIBLE MODULAR JACK, 4 POSITION	
0 PLC ± -		108-19117	HANDSET	
1 PLC ± -		APPLICATION SPEC	SURFACE MOUNT APPLICATION	
2 PLC ± -		114-19041	SIZE	CAGE CODE
3 PLC ± -			A2	1982198
4 PLC ± -			DRAWING NO	RESTRICTED TO
ANGLES ± -		WEIGHT	1982198	-
FINISH - ± -		CUSTOMER DRAWING	SCALE 5:1	SHEET 2 OF 2
				REV E