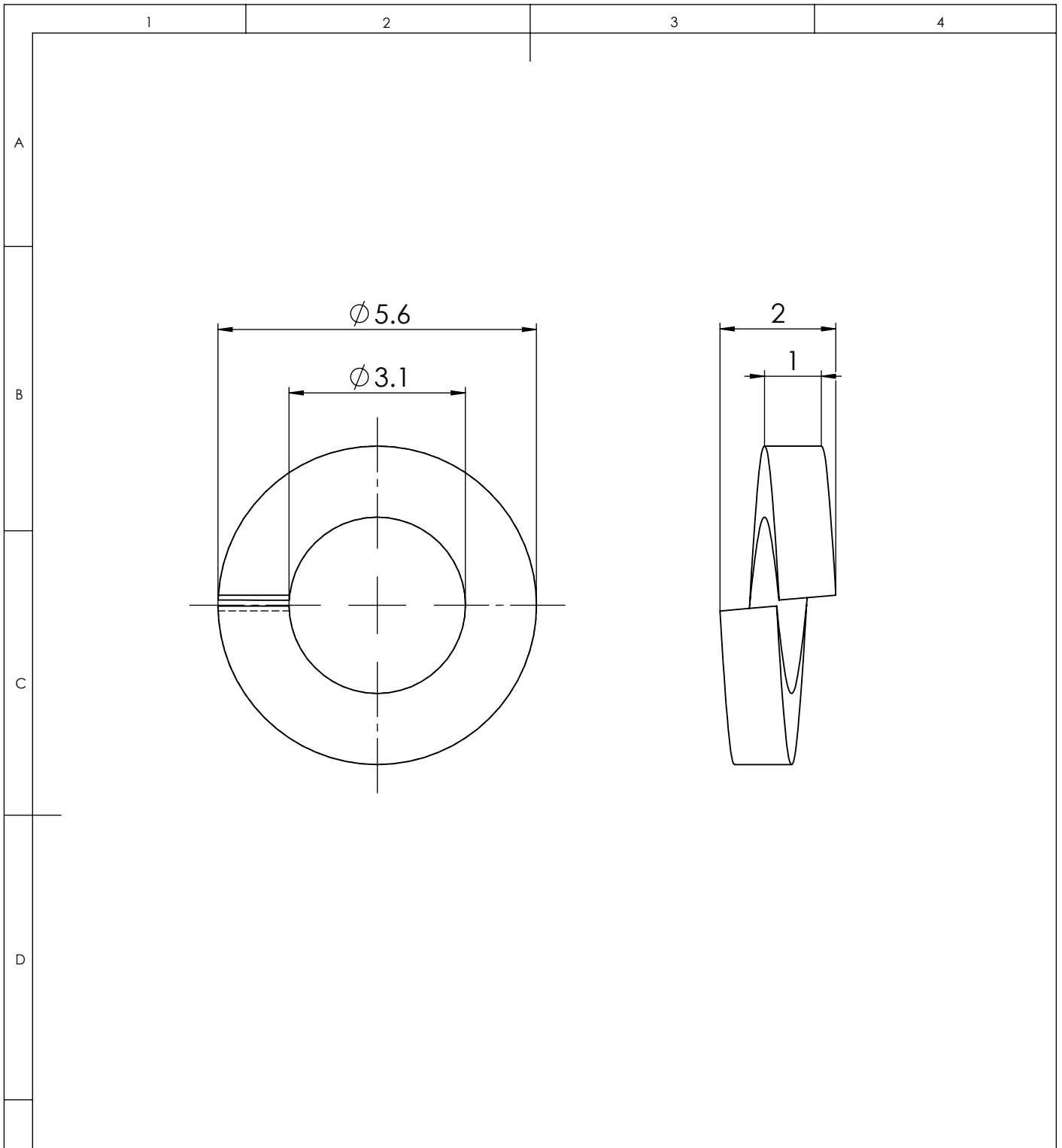


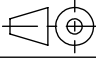

COMMENT:
 ALL RIGHTS ARE RESERVED BY US FOR THIS DRAWING. WITHOUT OUR PRIOR CONSENT,
 IT MAY NEITHER BE DUPLICATED NOR MADE AVAILABLE TO A THIRD PARTY.
 AND IT ALSO MAY NOT BE IMPROPERLY USED BY THE RECEIVER, OR A THIRD PARTY.



* max.5000, bulk packed, Packed in a bag

④ ③ ②

E	F10M007F051+S*	Steel	zinc plated
	F10M007F051	Steel	zinc plated
	F10M007F041+S*	Steel	tin plated
	F10M007F041	Steel	tin plated
	F10M007F013	Steel	gold plated
	<i>Part No.</i>	<i>Material</i>	<i>Surface plating/Colour/Class</i>

			 Measurement without tolerance occ. to ISO 2768-m	SCALE 5:1	TITLE Spring Washer (3 D7980) F-RING 3,1/5,6x1
			NAME / DATE		
		DRAWN	sschref 28-02-2005		
		CHECKED	mteubel 17-10-2018		
4	17-10-2018	24110			DWG.NO.
3	24-10-2008	22327			F10M007_D
2	15-10-2008	22319			REV.
1					4
REV.	DATE	CH.-NO.	ORIGINAL: DIN A4-DRAWING AS A FILE	REPLACEMENT FOR:	PAGES 1