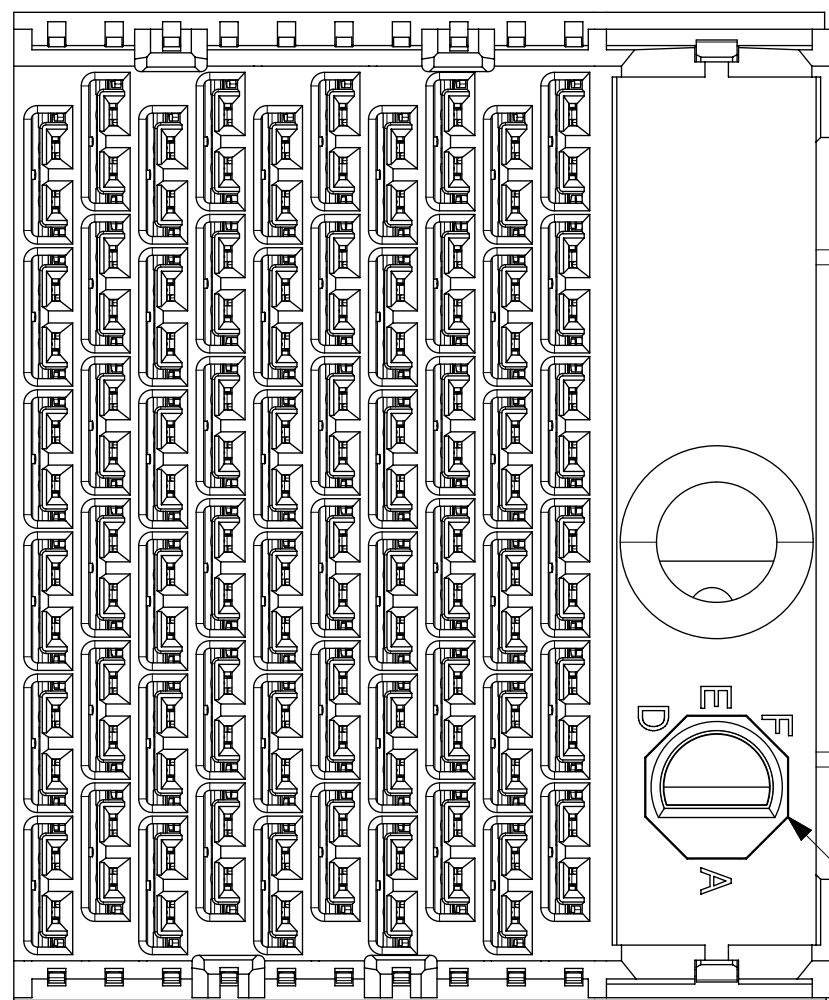
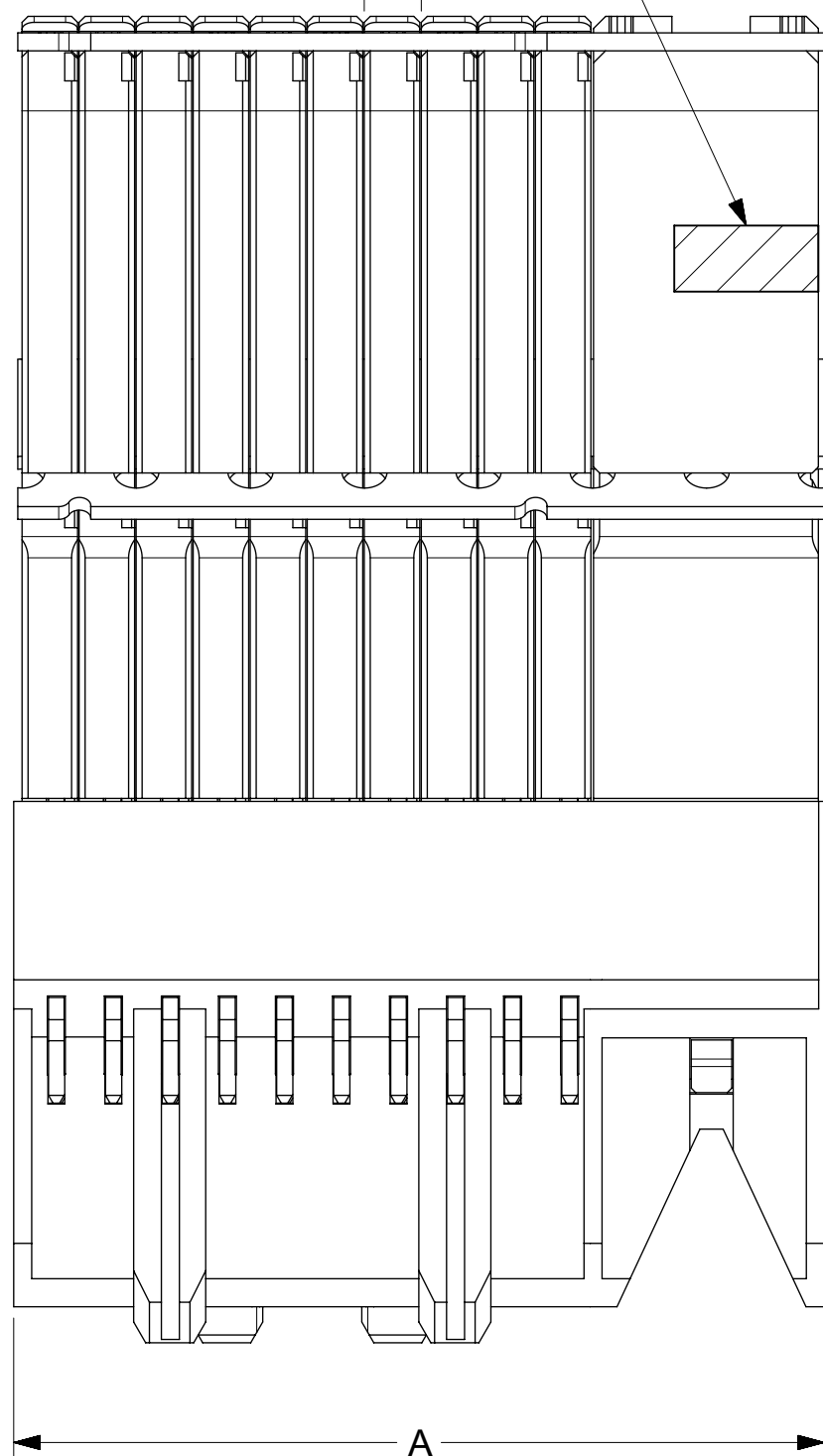
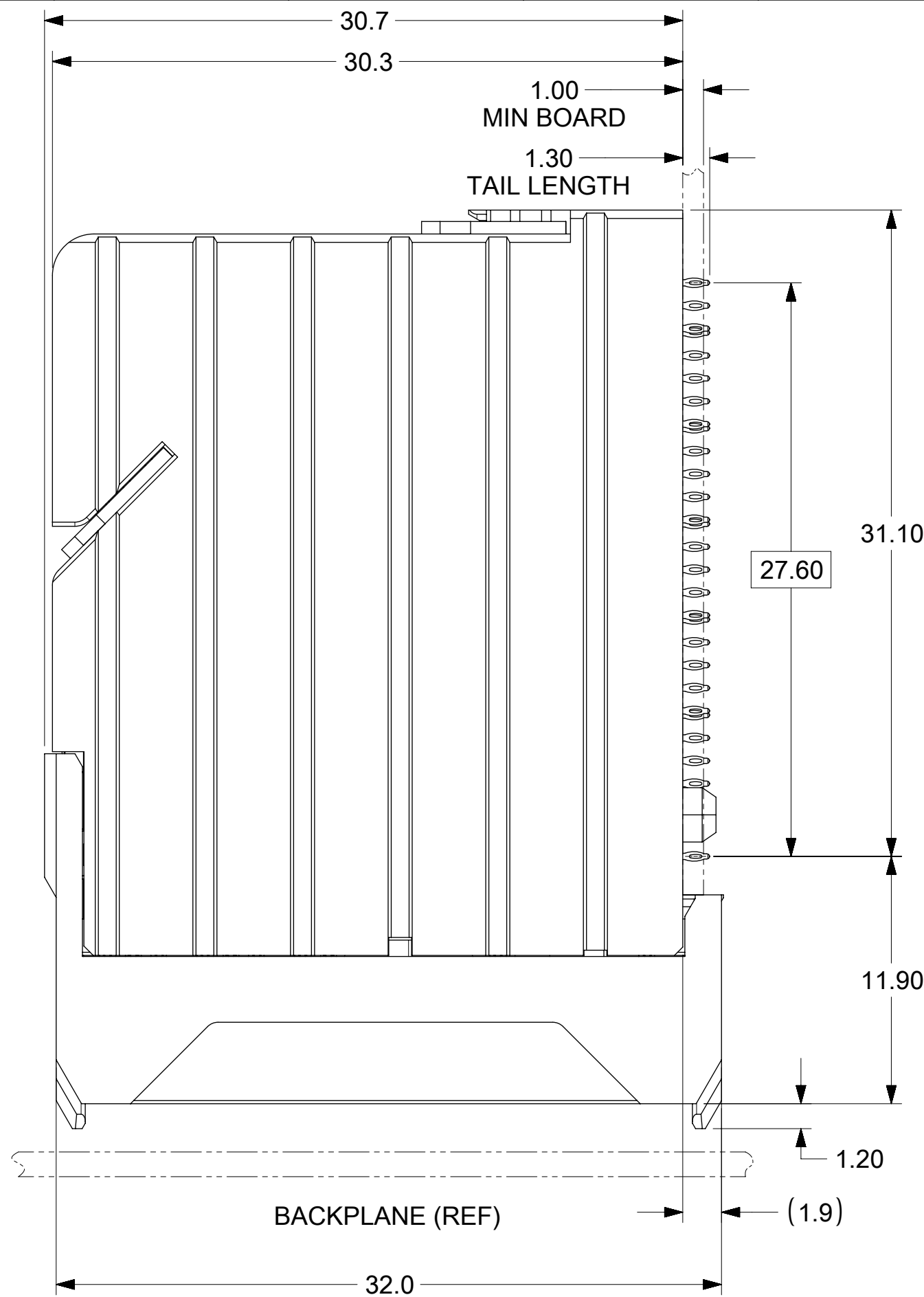


TYPICAL GATE LOCATION WITH RECESS

1.90

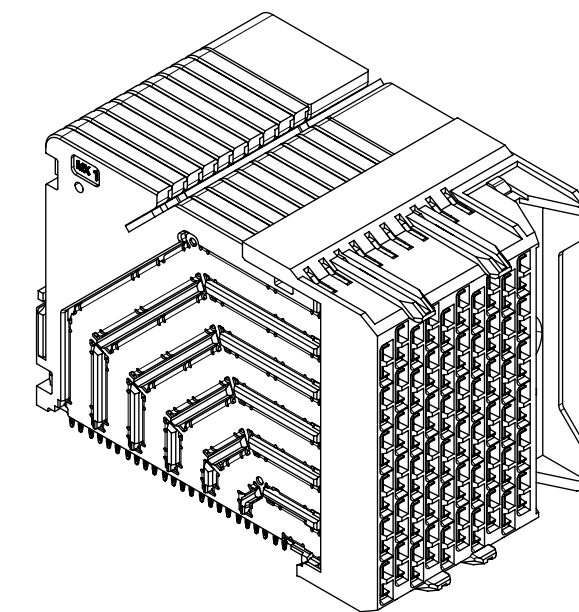
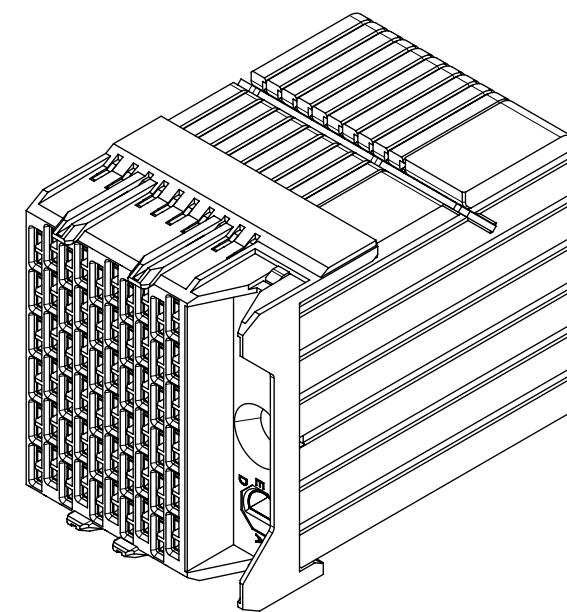


KEY SHOWN IN POSITION "A"



NOTES:

1. MATERIALS: HOUSING - LIQUID CRYSTAL POLYMER (LCP)
GLASS-FILLED, UL94V-0
TERMINALS - HIGH PERFORMANCE COPPER ALLOY
2. FINISH: 30uIN GOLD IN CONTACT AREA.
SELECTIVE TIN ON PCB TAILS.
NICKEL OVERALL.
3. REFER TO MOLEX PRODUCT SPECIFICATION PS-171320-999 FOR PERFORMANCE SPECIFICATIONS.
4. THIS PART CONFORMS TO CLASS B REQUIREMENTS OF MOLEX COSMETIC SPEC PS-45499-002.
5. PRODUCT WILL BE PACKAGED PER PK-78888-088.
6. SEE SHEET 2 FOR HOLE PATTERN DIMENSIONS.
7. MATES WITH IMPEL BP SERIES NUMBER 171395.
8. REFER TO IMPEL PCB ROUTING GUIDE AS-171320-990 FOR ANTIPAD, ROUTING RECOMMENDATIONS, AND ADDITIONAL PCB INFORMATION.
9. WHEN STACKING MODULES END TO END, THE MINIMUM COLUMN TO COLUMN HOLE SPACING IS 2.65mm.
10. WHEN USING THE SUPPLIED 2-32 THREAD FORMING SCREW (P/N 73726-0000), THE MAXIMUM RECOMMENDED BOARD THICKNESS IS 4.4mm.



| | | | | | | | |
|-----------------|-------|---|---------------------------------------|--|-----------------|--|--|
| QUALITY SYMBOLS | | THIS DRAWING CONTAINS INFORMATION THAT IS PROPRIETARY TO MOLEX ELECTRONIC TECHNOLOGIES, LLC AND SHOULD NOT BE USED WITHOUT WRITTEN PERMISSION | | | | | |
| ▽ = 0 | ▽ = 0 | EC NO: 177599 DRWN: ABN CHKD: CYLIW APPR: DWLEE01 MIGRATED TO NXELECTR 2017/12/14 2018/06/07 2018/06/19 | GENERAL TOLERANCES (UNLESS SPECIFIED) | | DIMENSION UNITS | SCALE | |
| ▽ = 0 | ▽ = 0 | | ANGULAR TOL ± 0.5 ° | | DRWN BY | DATE | |
| ▽ = 0 | ▽ = 0 | | 4 PLACES ± | 3 PLACES ± | JLAURX | 2012/01/19 | |
| ▽ = 0 | ▽ = 0 | | 2 PLACES ± 0.13 | 1 PLACE ± 0.25 | CHKD BY | DATE | |
| ▽ = 0 | ▽ = 0 | | 0 PLACES ± | DRAFT WHERE APPLICABLE MUST REMAIN WITHIN DIMENSIONS | APPR BY | DATE | |
| □ = 0 | ■ = 0 | A4 | C | JLAURX | 2012/11/14 | THIRD ANGLE PROJECTION | |
| RELEASE STATUS | | P1 | RELEASE DATE | 2018/06/19 | 03:31:34 | DIMENSION UNITS: C SCALE: 4:1 DRAWING SIZE: C THIRD ANGLE PROJECTION: | |
| molex® | | IMPEL DAUGHTERCARD ASSY 6 PAIR - 1.9MM PITCH GUIDE RIGHT SALES DWG | | | | PRODUCT CUSTOMER DRAWING | |
| SERIES | | MATERIAL NUMBER | | CUSTOMER | | GENERAL MARKET | |
| 171400 | | SEE CHART | | | | | |
| DOCUMENT NUMBER | | DOC TYPE | | DOC PART | | SHEET NUMBER | |
| SD-171400-0004 | | PSD | | 001 | | 1 OF 2 | |

