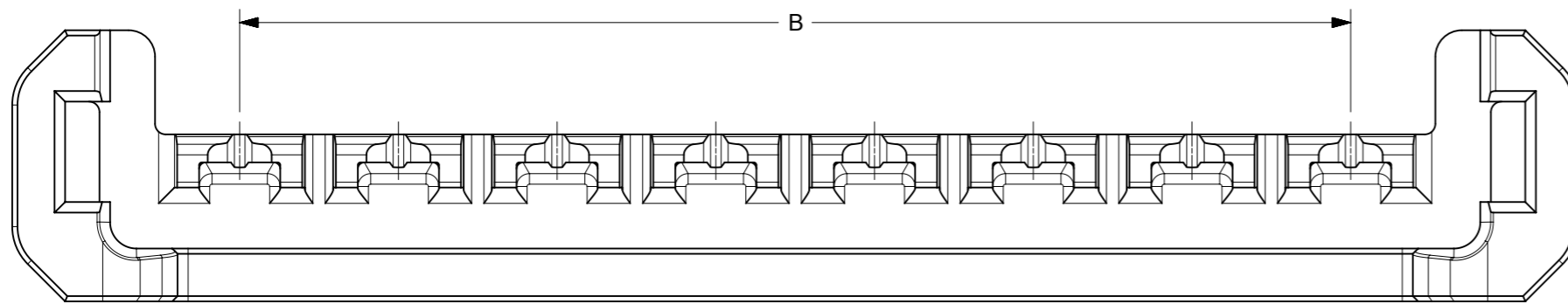
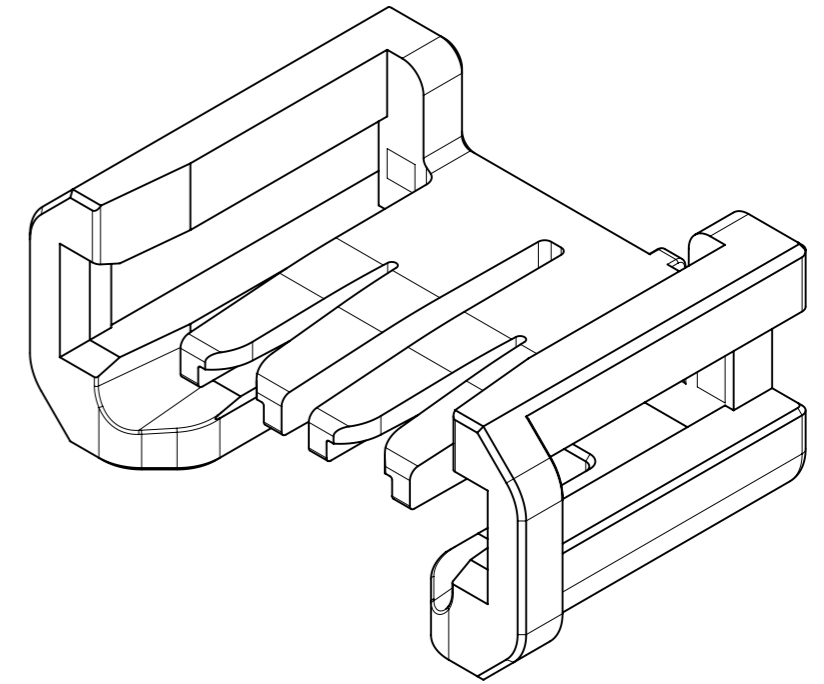
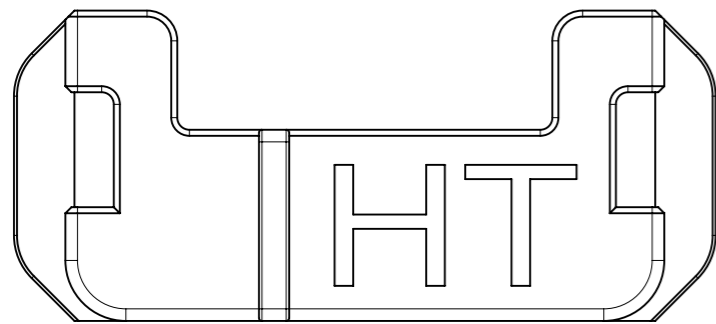


NOTES:

1. MATERIAL:
PA66,
UL RATED 94V-0
COLOR: BLACK
2. 150212001* PARTS ARE USED WITH 150201001* HOUSING SERIES.
3. PRODUCT SPECIFICATION 1502000000-PS
4. PACKAGING SPECIFICATION PK-150212-0000
5. COSMETIC SPECIFICATION: PS-45499-002 CLASS B



PART NUMBER	CIRCUIT SIZE	A ± 0.40	B
1502120012	2	11.6	3.0
1502120013	3	14.6	6.0
1502120014	4	17.6	9.0
1502120015	5	20.6	12.0
1502120016	6	23.6	15.0
1502120017	7	26.6	18.0
1502120018	8	29.6	21.0

THIS DRAWING CONTAINS INFORMATION THAT IS PROPRIETARY TO MOLEX ELECTRONIC TECHNOLOGIES, LLC AND SHOULD NOT BE USED WITHOUT WRITTEN PERMISSION									
DIMENSION UNITS	SCALE	CURRENT REV DESC: ADDED HT MARKING							
mm	8:1								
GENERAL TOLERANCES (UNLESS SPECIFIED)									
ANGULAR TOL	± 0.5°	SALES DRAWING TPA V-0, HIGH TEMP DITTO INTERCONNECTS							
4 PLACES	±	PRODUCT CUSTOMER DRAWING							
3 PLACES	±	DOCUMENT NUMBER							
2 PLACES	± 0.13	1502120010-SD							
1 PLACE	± 0.25	DOC TYPE DOC PART REVISION							
0 PLACES	±	PSD 000 B							
DRAFT WHERE APPLICABLE MUST REMAIN WITHIN DIMENSIONS		THIRD ANGLE PROJECTION	DRAWING	SERIES	MATERIAL NUMBER	CUSTOMER		SHEET NUMBER	
			A3-SIZE	150212	SEE TABLE	GENERAL MARKET		1 OF 1	