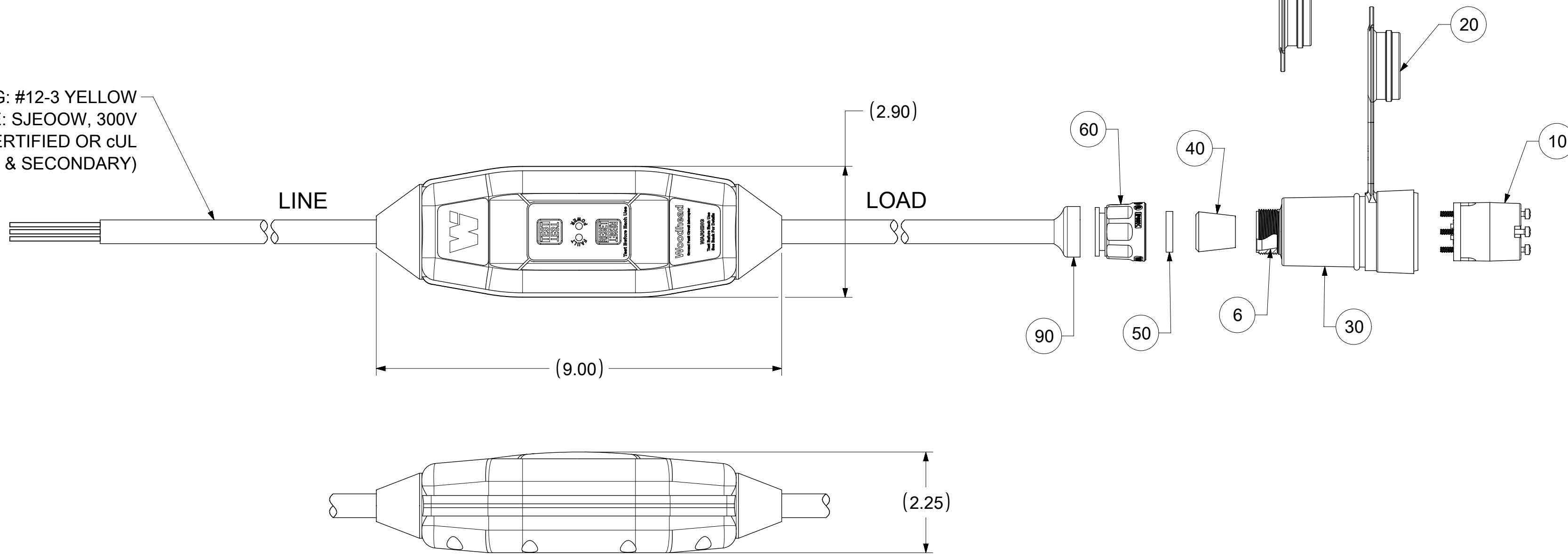


AWG: #12-3 YELLOW
 TYPE: SJEOOW, 300V
 AGENCY APPROVAL: UL & CSA CERTIFIED OR cUL
 (BOTH SIDE - PRIMARY & SECONDARY)



TECHNICAL

AGENCY APPROVAL: NONE
 RATED SUPPLY VOLTAGE: 120VAC
 RATED CURRENT: UP TO 20 AMPS
 RESET TYPE: MANUAL
 OPERATING FREQUENCY: 60 Hz
 TYPE: CLASS A
 GROUND TRIP CURRENT: 5mA +/- 1mA
 OVERLOAD CURRENT: 120 AMPS, 50% INDUCTIVE
 INSULATION VOLTAGE: 1,500 VRMS - 1 MINUTE
 ENDURANCE OPERATIONS: 3000 OPERATIONS
 ENCLOSURE: TYPE 4X, IP69, IP69K

MATERIAL NO.	ENGINEERING NO.	LENGTH "L"	POWER-UP
1301530236	130153-0236	22 FT	MANUAL

FUNCTIONAL SYMBOLS $\nabla_A = 0$ $\nabla_C = 0$ $\nabla_P = 0$	THIS DRAWING CONTAINS INFORMATION THAT IS PROPRIETARY TO MOLEX ELECTRONIC TECHNOLOGIES, LLC AND SHOULD NOT BE USED WITHOUT WRITTEN PERMISSION		
	DIMENSION UNITS	SCALE	CURRENT REV DESC: REPLACED INLINE GFCI 20A
	INCH	NTS	
	GENERAL TOLERANCES (UNLESS SPECIFIED)		
DIVISIONAL SYMBOLS	ANGULAR TOL	± °	EC NO: 678993
	4 PLACES	±	DRWN: VBASUTHKARP 2021/08/30
	3 PLACES	±	CHK'D: DNGUYEN62 2022/12/16
	2 PLACES	±	APPR: HKNEELAND 2022/12/19
	1 PLACE	±	INITIAL REVISION:
	0 PLACES	±	DRWN:
			APPR:
DRAFT WHERE APPLICABLE MUST REMAIN WITHIN DIMENSIONS	THIRD ANGLE PROJECTION	DRAWING	SERIES
		C-SIZE	130153
DOCUMENT NUMBER	CUSTOMER	DOC TYPE	DOC PART
SD-130153-037	GENERAL MARKET	PSD	001
MATERIAL NUMBER	CUSTOMER	SHEET NUMBER	REVISION
SEE TABLE	GENERAL MARKET	1 OF 1	B



INLINE GFCI 20A, 120V INPUT FLYING LEAD
 OUTPUT 15W33 NEMA 5-20

PRODUCT CUSTOMER DRAWING