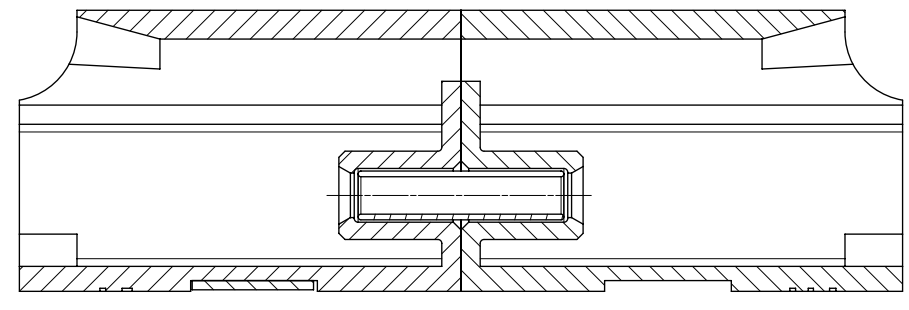
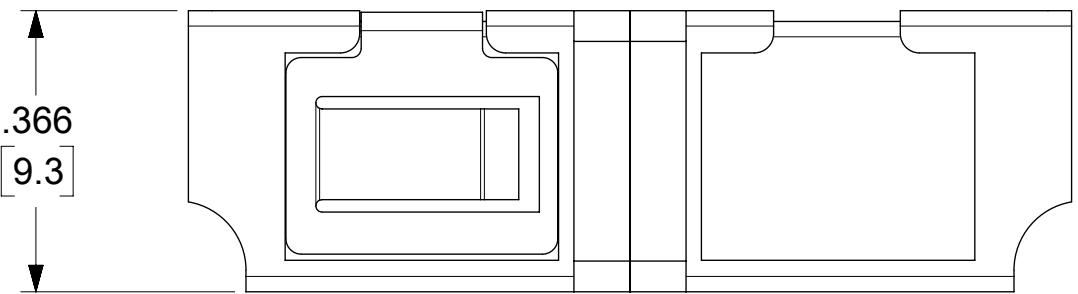
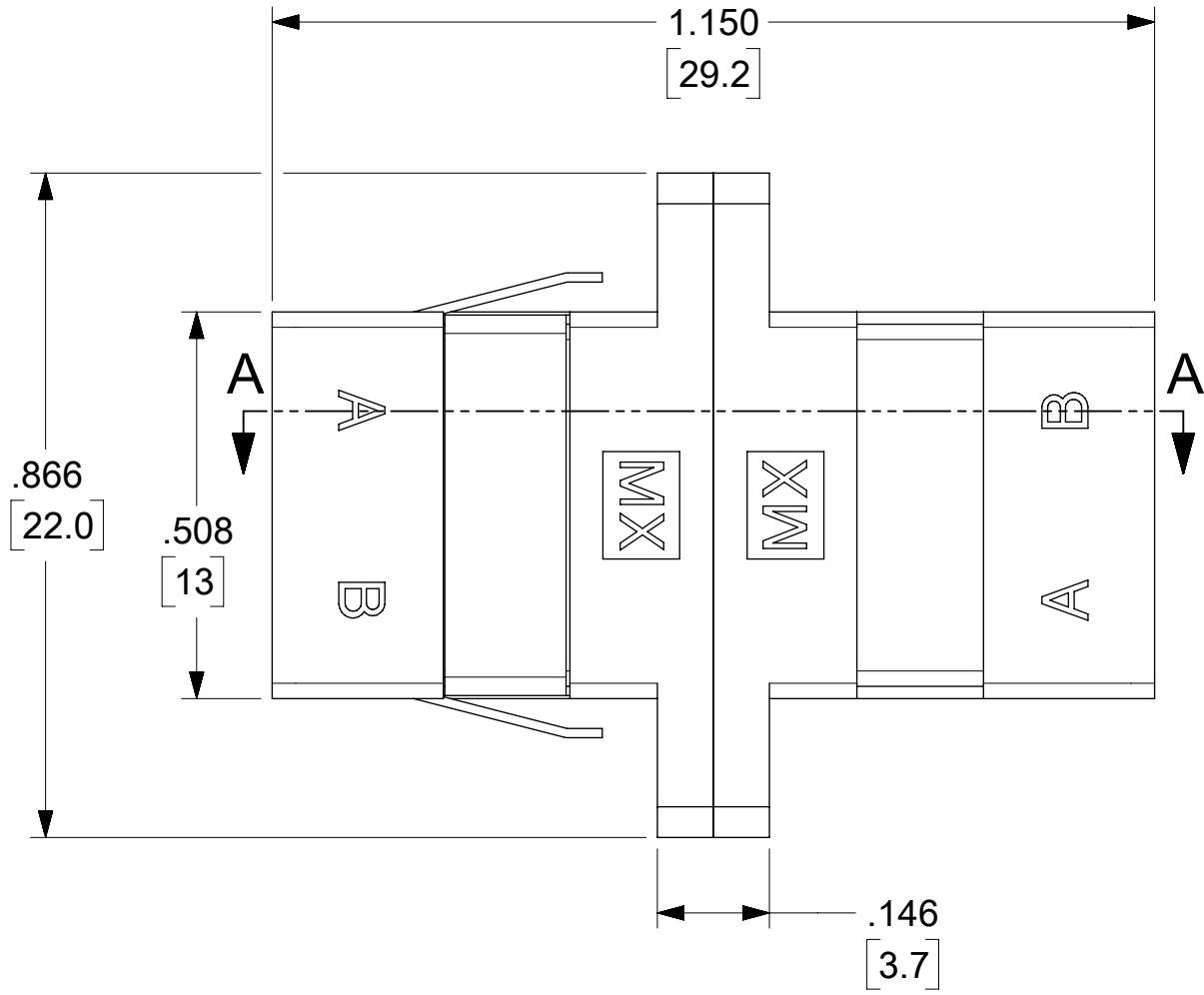
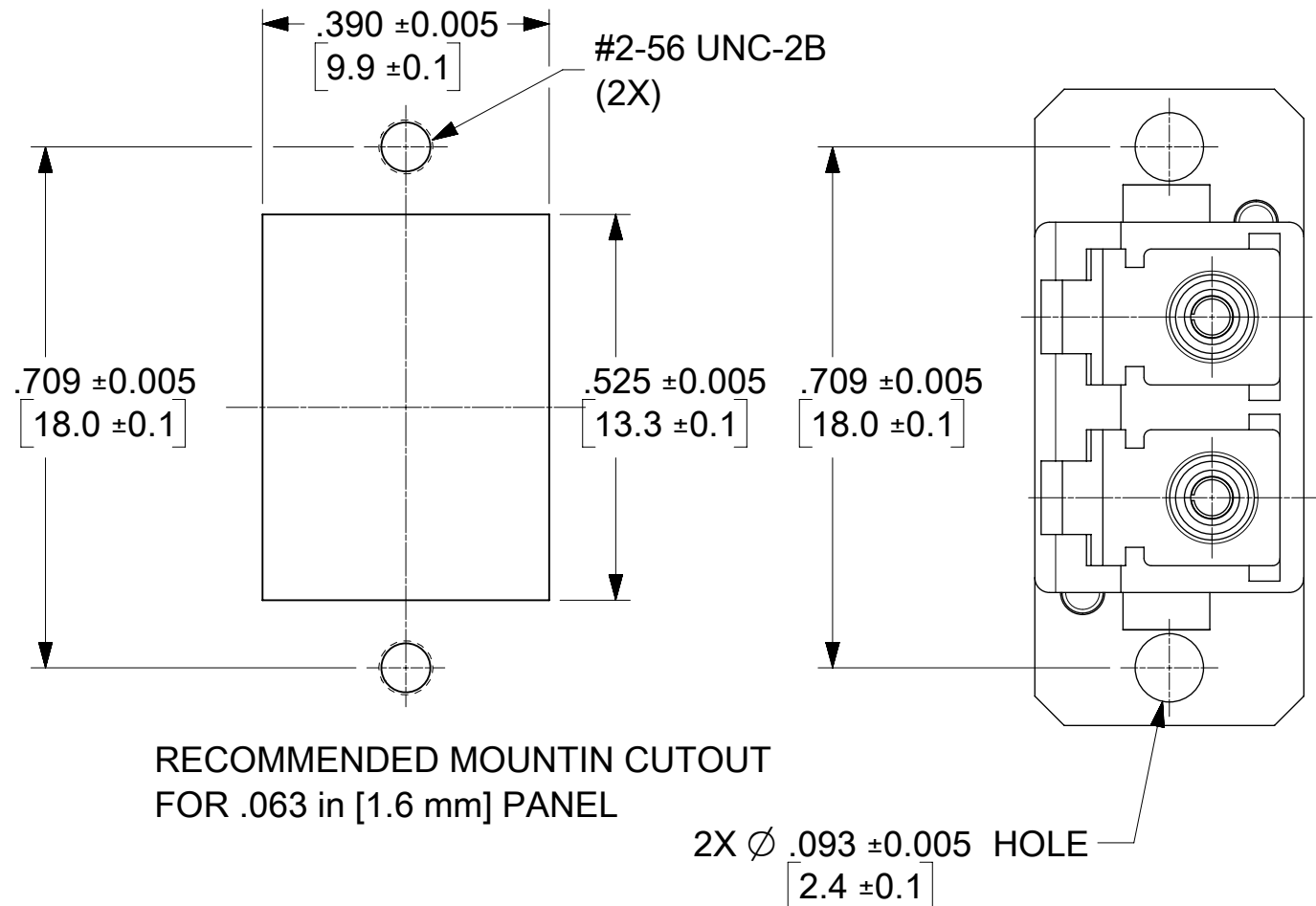
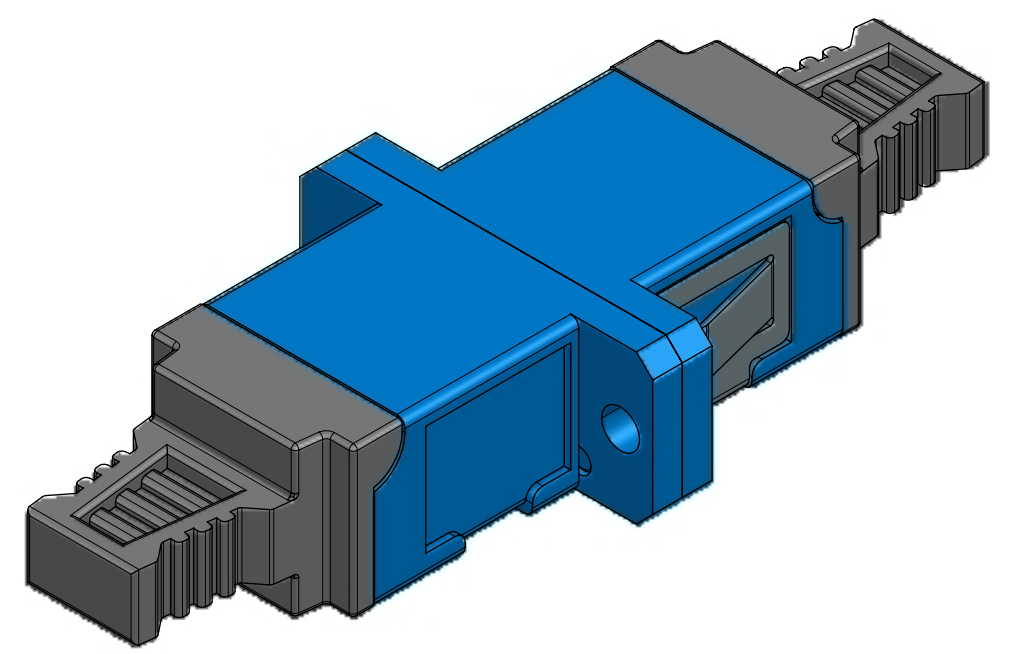
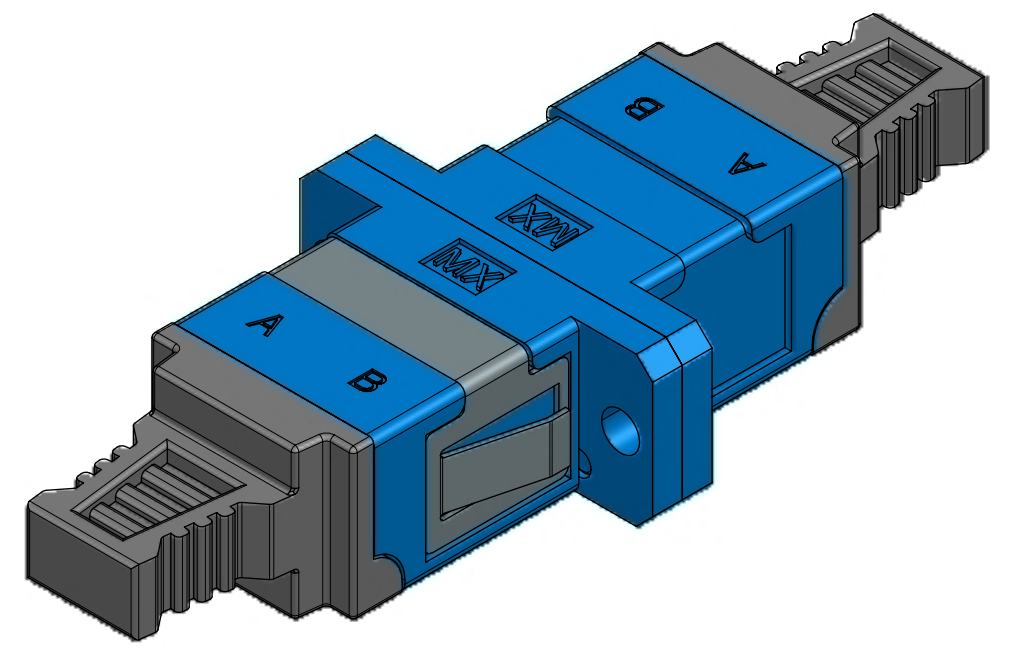


LC ADAPTER P/N	ADAPTER COLOR	LC SLEEVE MATERIAL
1061261300	BLUE	ZR
1061261310 (see note 3)		
1061260310	BEIGE	
1061260320 (see note 3)		
1061261350	GREEN	
1061261320 (see note 3)		
1061261330	BEIGE	
1061261340	BLACK	



SECTION A-A



- NOTES:
1. ALL DIMENSIONS WITHOUT TOLERANCE ARE FOR REFERENCE ONLY.
 2. DUST CAPS ARE SHOWN IN ISOMETRIC VIEWS ONLY.
 3. P/NS 1061260320 & 1061261310 ARE BULK PACKED IN QUANTITIES OF 100 pcs.
P/N 1061261320 IS BULK PACKED IN QUANTITY OF 25pcs.

FUNCTIONAL SYMBOLS $\nabla_A = 0$ $\nabla_C = 0$ $\nabla_P = 0$	THIS DRAWING CONTAINS INFORMATION THAT IS PROPRIETARY TO MOLEX ELECTRONIC TECHNOLOGIES, LLC AND SHOULD NOT BE USED WITHOUT WRITTEN PERMISSION	SCALE	CURRENT REV DESC:		
	DIMENSION UNITS	4:1	EC NO: 652962		
	GENERAL TOLERANCES (UNLESS SPECIFIED)		DRWN: SKRISHNAMU01	2021/05/31	
	ANGULAR TOL	± °	CHK'D: WCHEN	2021/08/24	
DIVISIONAL SYMBOLS		4 PLACES ±	APPR: WCHEN	2021/08/24	LC DUPLEX ADAPTER (STANDARD FLANGE/ SC FOOTPRINT)
		3 PLACES ± 0.005	INITIAL REVISION:		PRODUCT CUSTOMER DRAWING
		2 PLACES ±	DRWN: PGIBLIN	2005/10/25	DOCUMENT NUMBER
		1 PLACE ±	APPR: IGUMIN	2005/10/26	SD-106126-X3X0
		0 PLACES ±	THIRD ANGLE PROJECTION		DOC TYPE
			DRAWING		PSD
			SERIES		001
			MATERIAL NUMBER		DOC PART
			SEE TABLE		01
			CUSTOMER		REVISION
			SHEET NUMBER		B
			1 OF 1		