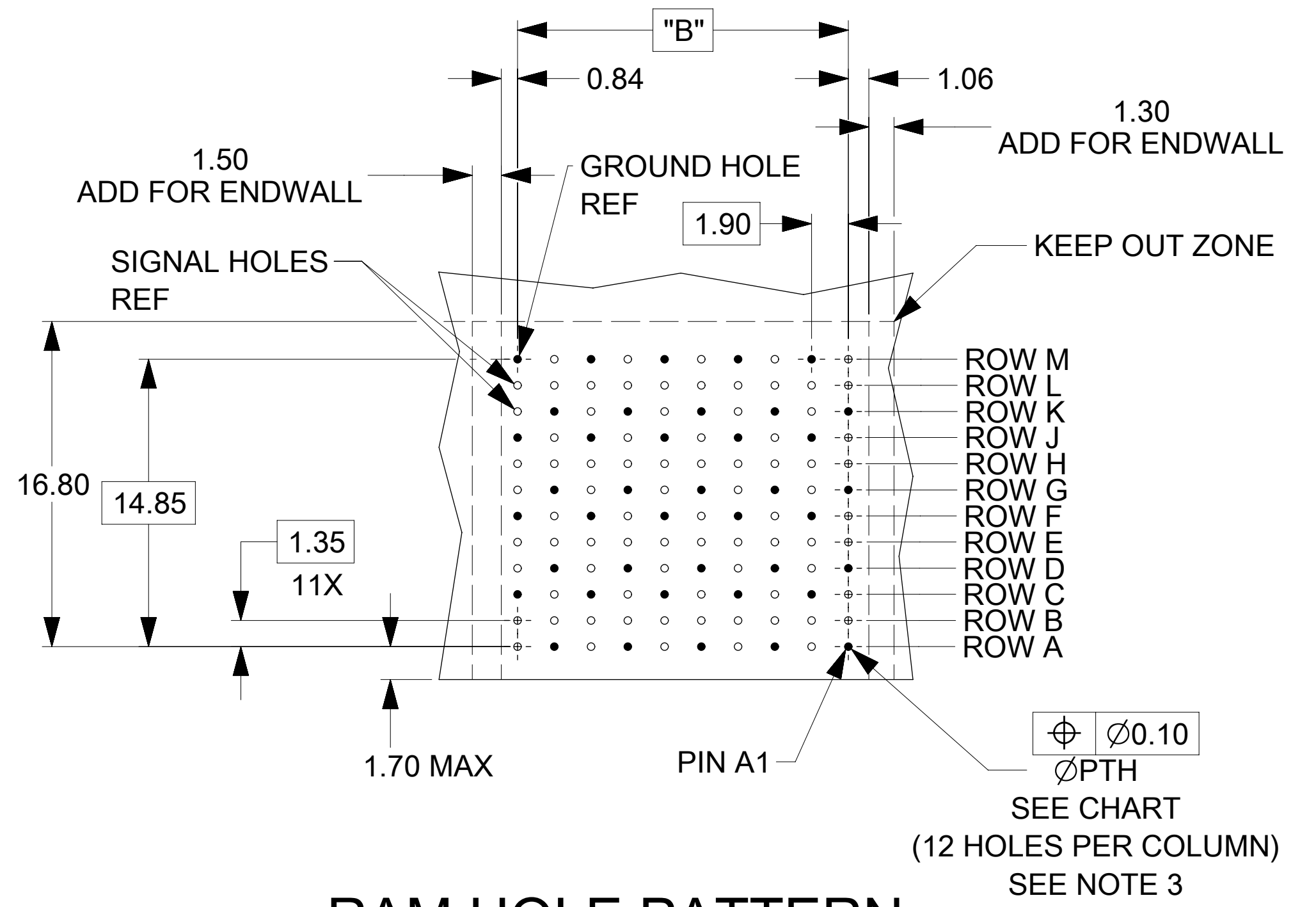
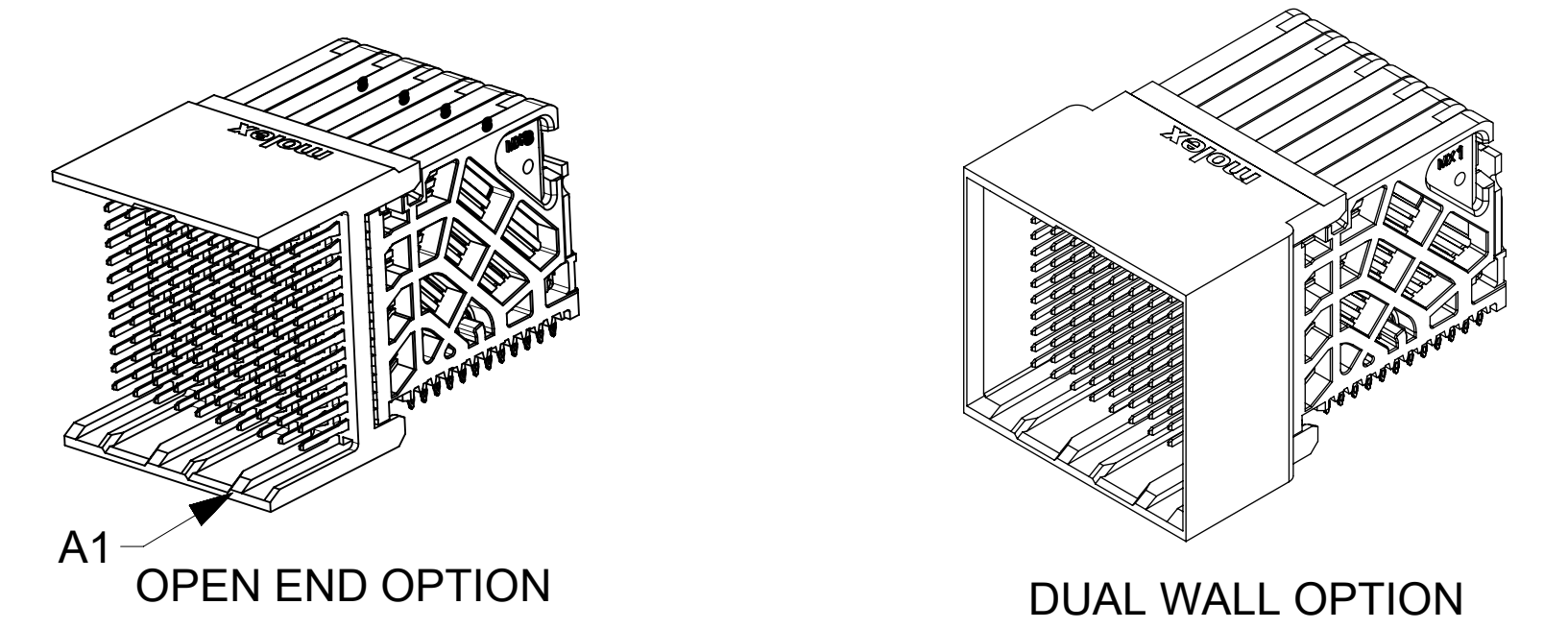
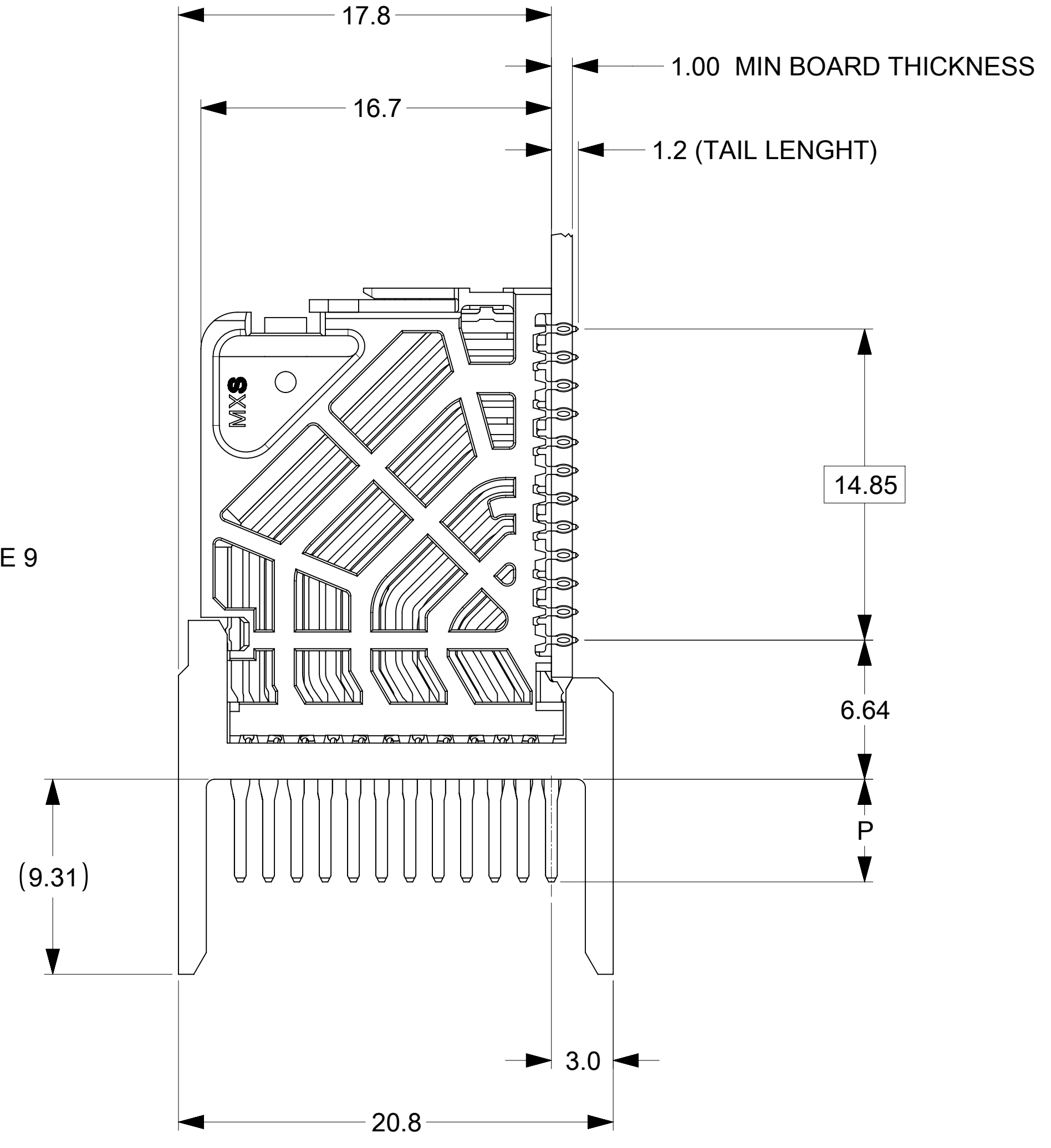
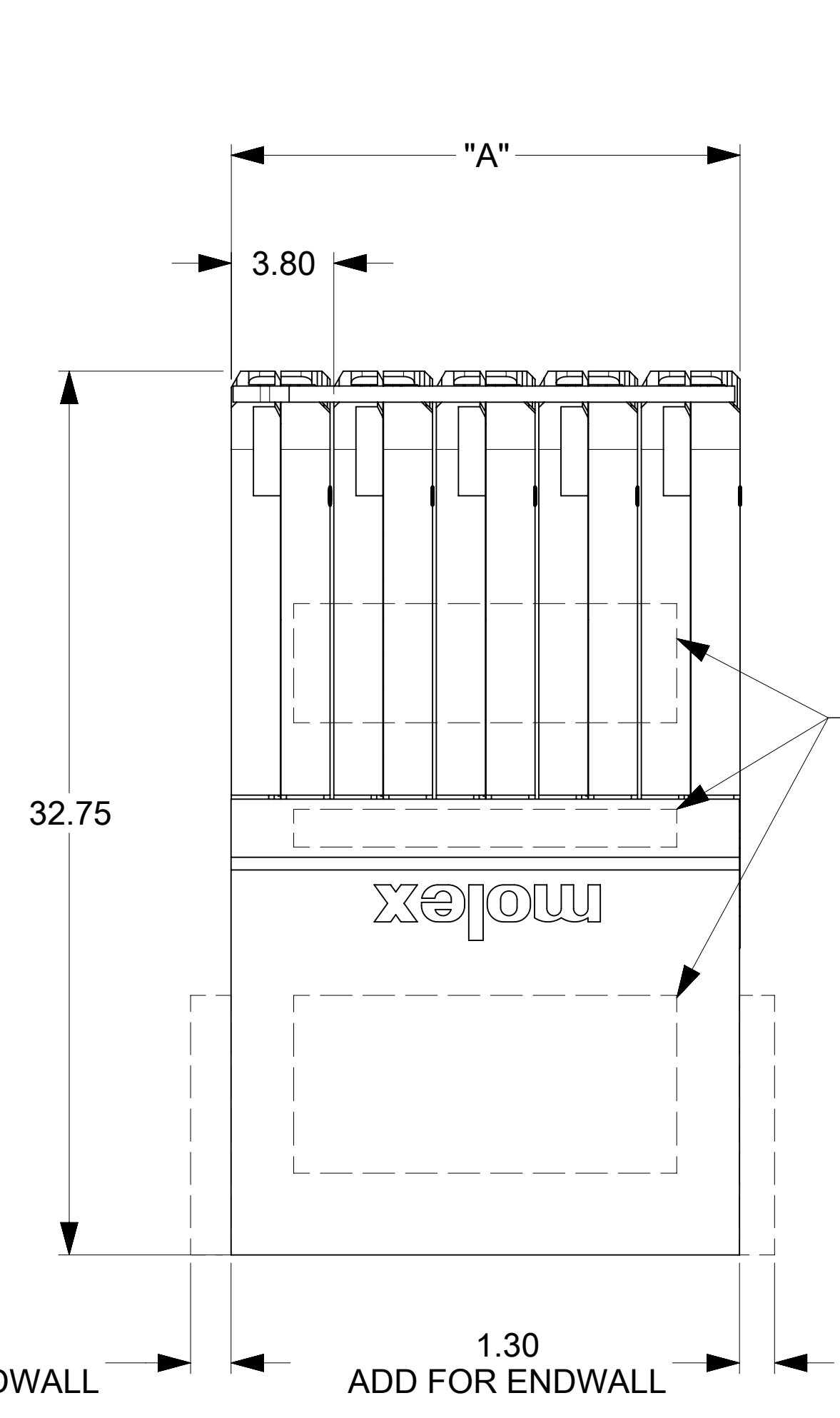


MATERIAL NUMBER	# OF COLUMNS	# OF DIFF PAIR	DIM "A" MAX	DIM "B"	PTH $\phi$
76500-*8**	8	32	15.20	13.30	0.46 $\pm$ 0.05
76500-*1**	10	40	19.00	17.10	0.46 $\pm$ 0.05
76500-*6**	16	64	30.40	28.50	0.46 $\pm$ 0.05
76500-*8**	8	32	15.20	13.30	0.39 $\pm$ 0.05
76500-*1**	10	40	19.00	17.10	0.39 $\pm$ 0.05
76500-*6**	16	64	30.40	28.50	0.39 $\pm$ 0.05

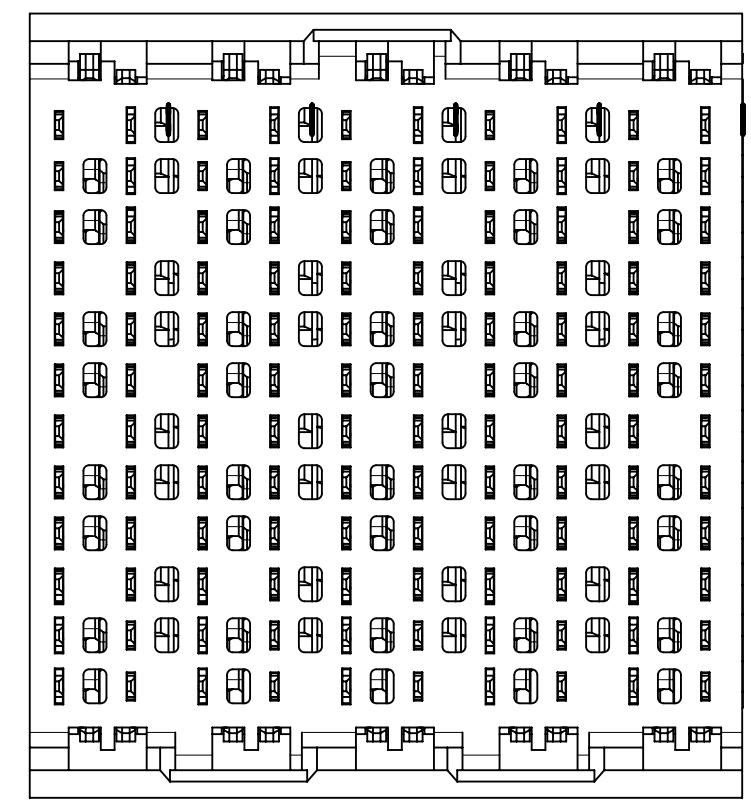
# 76500-\*\*\*\*

- MODULE TYPE**  
1 = UNGUIDED, LEAD-FREE
- # OF COLUMNS**  
1 = 10 COLUMNS  
6 = 16 COLUMNS  
8 = 8 COLUMNS
- PIN LENGTH (P)**  
4 = 4.90 (0.46 PTH)  
5 = 5.50 (0.46 PTH)  
7 = 4.90 (0.39 PTH)  
8 = 5.50 (0.39 PTH)
- END WALL OPTIONS**  
0 = OPEN ENDS  
1 = LEFT ENDWALL  
2 = DUAL ENDWALL  
3 = RIGHT ENDWALL

- NOTES:
- MATERIALS: HOUSING - LIQUID CRYSTAL POLYMER (LCP), GLASS-FILLED, UL94V-0  
TERMINALS - HIGH PERFORMANCE COPPER ALLOY
  - FINISH: 30 $\mu$ IN SELECTIVE GOLD IN CONTACT AREA, SELECTIVE TIN ON PCB TAILS, NICKEL OVERALL.
  - REFER TO MOLEX PRODUCT SPECIFICATION PS-76060-999 FOR PERFORMANCE SPECIFICATIONS AND ADDITIONAL PCB INFORMATION.
  - EACH SIGNAL WAFER CONTAINS 2 COLUMNS OF TERMINALS.
  - PRODUCT IS PACKAGED PER PK-70873-041.
  - THIS PART CONFORMS TO CLASS B REQUIREMENTS OF COSMETIC SPEC PS-45499-002.
  - REFER TO MOLEX SALES DRAWING SD-76160-001 FOR THE MATING RECEPTACLES.
  - REFER TO MOLEX PCB ROUTING GUIDE AS-76060-990 FOR ANTIPAD AND ROUTING RECOMMENDATIONS.
  - MARKING: LOCATED APPROXIMATELY AS SHOWN. PART NUMBER AND DATE CODE.

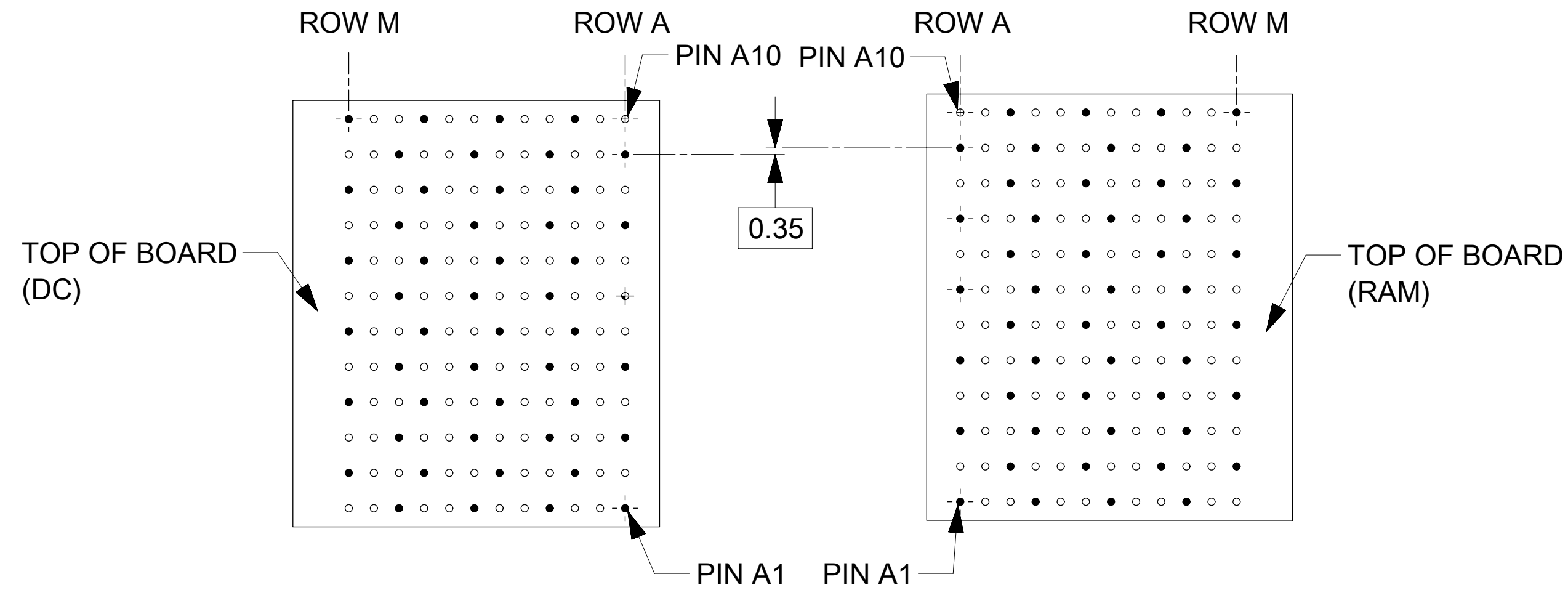
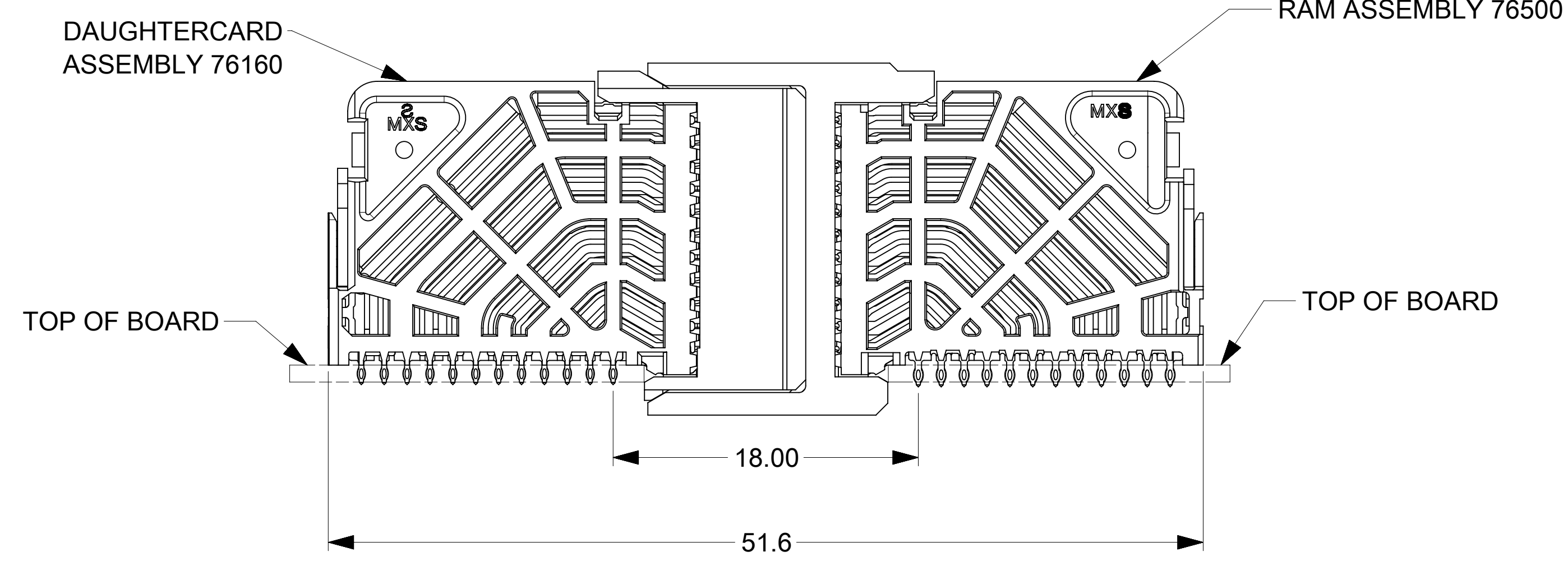


## RAM HOLE PATTERN (CONNECTOR SIDE)

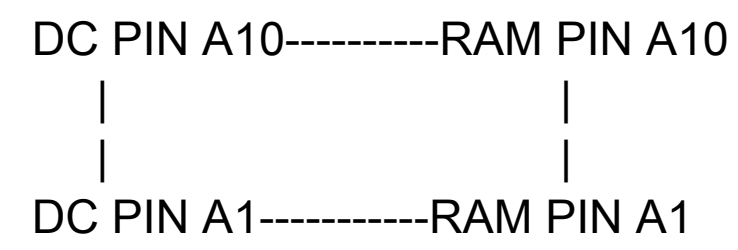



THIS DRAWING CONTAINS INFORMATION THAT IS PROPRIETARY TO MOLEX ELECTRONIC TECHNOLOGIES, LLC AND SHOULD NOT BE USED WITHOUT WRITTEN PERMISSION																					
DIMENSION UNITS: mm		SCALE: NTS		CURRENT REV DESC: REMASTERED TO NX								<b>IMPACT 4 PAIR RAM</b> UNGUIDED SIGNAL MODULE SALES DRAWING									
GENERAL TOLERANCES (UNLESS SPECIFIED)				EC NO: 705090 DRWN: DYARAS 2021/12/07 CHK'D: YOGEEB 2022/02/09 APPR: LZENG 2022/05/13																	
ANGULAR TOL $\pm$ 0.5°				INITIAL REVISION: DRWN: JQUILES 2009/01/12 APPR: JLAURX 2009/01/13						DOCUMENT NUMBER: <b>SD-76500-001</b>		DOC TYPE: PSD		DOC PART: 001		REVISION: D4					
4 PLACES $\pm$				DRAFT WHERE APPLICABLE MUST REMAIN WITHIN DIMENSIONS						THIRD ANGLE PROJECTION		DRAWING: D-SIZE		SERIES: 76500		MATERIAL NUMBER: SEE TABLE		CUSTOMER: GENERAL MARKET		SHEET NUMBER: 1 OF 2	

### COPLANAR APPLICATION



### COPLANAR MATED SIGNAL PATHS



THIS DRAWING CONTAINS INFORMATION THAT IS PROPRIETARY TO MOLEX ELECTRONIC TECHNOLOGIES, LLC AND SHOULD NOT BE USED WITHOUT WRITTEN PERMISSION										
DIMENSION UNITS	SCALE	CURRENT REV DESC: REMASTERED TO NX								
mm	NTS	 IMPACT 4 PAIR RAM UNGUIDED SIGNAL MODULE SALES DRAWING PRODUCT CUSTOMER DRAWING								
GENERAL TOLERANCES (UNLESS SPECIFIED)										
ANGULAR TOL	± 0.5°									
4 PLACES	±									
3 PLACES	±									
2 PLACES	± 0.13									
1 PLACE	± 0.25	EC NO: 705090	2021/12/07		DOCUMENT NUMBER			DOC TYPE	DOC PART	REVISION
0 PLACES	±	DRWN: DYARAS	2022/02/09		SD-76500-001			PSD	001	D4
DRAFT WHERE APPLICABLE MUST REMAIN WITHIN DIMENSIONS		APPR: LZENG	2022/05/13		INITIAL REVISION:			CUSTOMER		
		DRWN: JQUILES	2009/01/12		SEE TABLE			GENERAL MARKET		
		APPR: JLAURX	2009/01/13		D-SIZE			SHEET NUMBER		
		THIRD ANGLE PROJECTION	DRAWING		76500			2 OF 2		