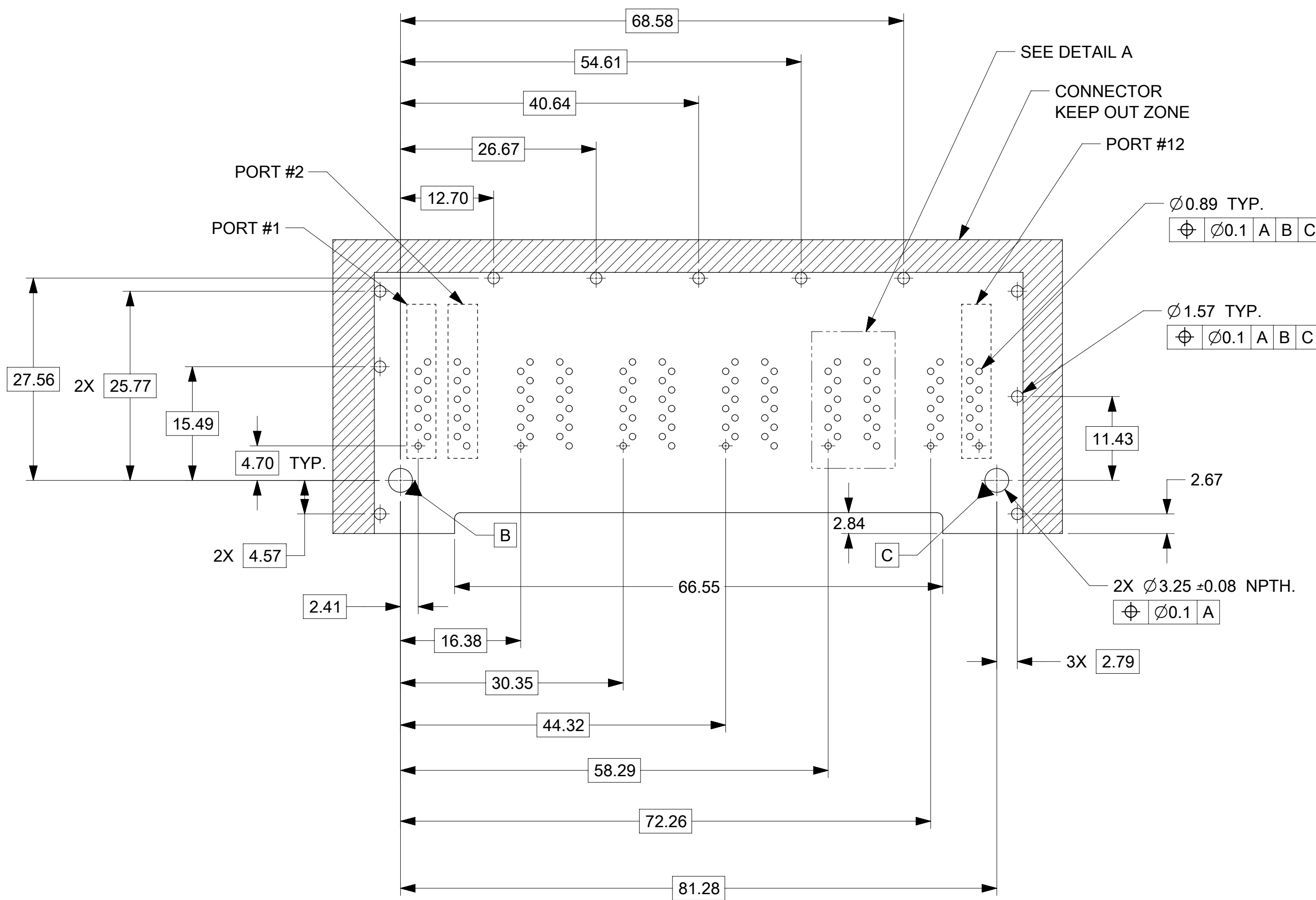
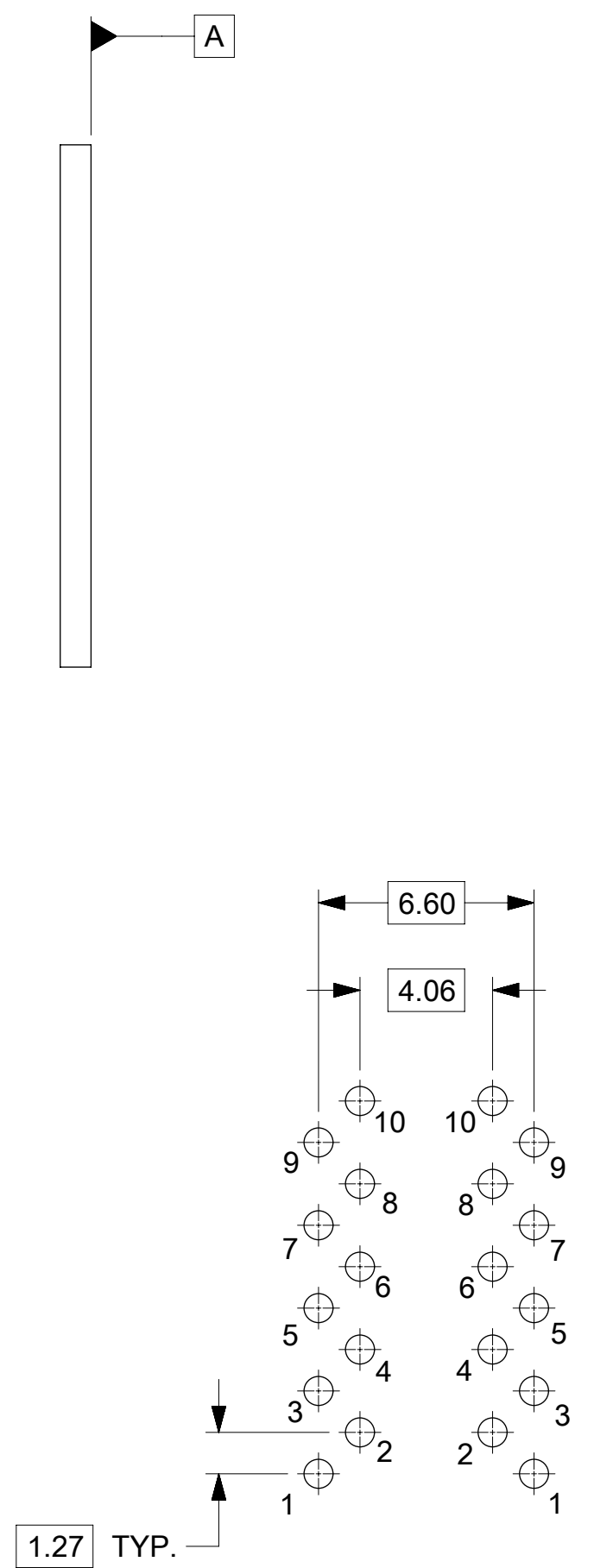


- NOTES:
- MATERIAL:  
 HOUSING: POLYESTER, GLASS FILLED, UL94V-0, COLOR: BLACK  
 CONTACT BEAMS: COPPER ALLOY, SHIELD: BRASS, PCB PINS: COPPER ALLOY.
  - PLATING:  
 CONTACT BEAMS: 50 MICROINCHES MIN. GOLD OVER 150 MICROINCHES MIN NICKEL UNDERPLATE  
 SHIELD: NICKEL WITH SELECT TIN DIP ON GROUND TABS  
 PCB PINS: TIN DIP
  - PRODUCT SPECIFICATION: PS-46030-003
  - PRODUCT IS TRAY PACKAGED PER PACKAGING SPECIFICATION: PK-46030-001.
  - CONFORMS TO FCC REGULATION PART 68.5 SPECIFICATION FOR MODULAR JACKS.
  - MOLEX PART NUMBER, REVISION LETTER, AND DATE CODE ARE LOCATED IN AREA SHOWN. MANUFACTURING DATE CODE IS 3 DIGIT JULIAN DAY AND 1 DIGIT YEAR (EXAMPLE: 0337 IS FEBRUARY 2, 2007).
  - SHIELD SURFACE FINISHES (CLASS A, B OR C) COMPLY WITH THE REQUIREMENTS FOR VISUAL ACCEPTANCE PER COSMETIC SPECIFICATION ES-46030-006.

|  |   |                        |  |         |   |        |          |                 |          |                |          |              |  |
|--|---|------------------------|--|---------|---|--------|----------|-----------------|----------|----------------|----------|--------------|--|
| FUNCTIONAL SYMBOLS                                   | THIS DRAWING CONTAINS INFORMATION THAT IS PROPRIETARY TO MOLEX ELECTRONIC TECHNOLOGIES, LLC AND SHOULD NOT BE USED WITHOUT WRITTEN PERMISSION |                        | CURRENT REV DESC: 1.REMOVE OBSOLETE PART NUMBER 463171003/1004. 2.ADD RECOMMENDED KEEP OUT ZONE SEE SHEET 3. |         | <b>molex</b>                              |        |          |                 |          |                |          |              |  |
|  | DIMENSION UNITS   | SCALE                  |  |         |   |        |          |                 |          |                |          |              |  |
| $\nabla_A = 0$                                       | mm  | 2:1                    | GENERAL TOLERANCES (UNLESS SPECIFIED)  |         | 2X6 STACKED MAGNETIC JACK NON POE VERSION |        |          |                 |          |                |          |              |  |
| $\nabla_C = 0$                                       | ANGULAR TOL ± 0.5°  |                        | 4 PLACES ±   |         | PRODUCT CUSTOMER DRAWING                  |        |          |                 |          |                |          |              |  |
| $\nabla_P = 0$                                       | 3 PLACES ±  |                        | 2 PLACES ± 0.05  |         | DOCUMENT NUMBER                           |        |          |                 |          |                |          |              |  |
| DIVISIONAL SYMBOLS                                   | 1 PLACE ± 0.25  |                        | 0 PLACES ±   |         | SD-46317-002                              |        | DOC TYPE |                 | DOC PART |                | REVISION |              |  |
| DRAFT WHERE APPLICABLE MUST REMAIN WITHIN DIMENSIONS |   | THIRD ANGLE PROJECTION |  | DRAWING |   | SERIES |          | MATERIAL NUMBER |          | CUSTOMER       |          | SHEET NUMBER |  |
|  |   |                        |  | C-SIZE  |   | 46317  |          | 463171002       |          | GENERAL MARKET |          | 1 OF 3       |  |



**SUGGESTED PCB LAYOUT  
COMPONENT SIDE**



**DETAIL B  
SCALE 5:1  
PIN-OUT DETAIL  
COMPONENT SIDE**

|  |   |            |   |         |            |                 |                |              |            |  |
|--|---|------------|---|---------|------------|-----------------|----------------|--------------|------------|--|
| FUNCTIONAL SYMBOLS                                   | THIS DRAWING CONTAINS INFORMATION THAT IS PROPRIETARY TO MOLEX ELECTRONIC TECHNOLOGIES, LLC AND SHOULD NOT BE USED WITHOUT WRITTEN PERMISSION |            |   |         |            |                 |                |              |            |  |
|  | DIMENSION UNITS   | SCALE      | CURRENT REV DESC: 1.REMOVE OBSOLETE PART NUMBER 463171003/1004. 2.ADD RECOMMENDED KEEP OUT ZONE SEE SHEET 3.      |         |            |                 |                |              |            |  |
| $\nabla_A = 0$                                       | mm  | 2:1        | EC NO: 638658<br>DRWN: GWU15<br>CHK'D: KLANG<br>APPR: KLANG<br>INITIAL REVISION:<br>DRWN: GMINNICK<br>APPR: KLANG |         |            |                 |                |              |            |  |
| $\nabla_C = 0$                                       | GENERAL TOLERANCES (UNLESS SPECIFIED)   |            |   |         |            |                 |                |              |            |  |
| $\nabla_P = 0$                                       | ANGULAR TOL $\pm 0.5^\circ$   |            | 2020/05/12  |         | 2020/06/10 |                 | 2020/06/10     |              | 2016/11/18 |  |
| DIVISIONAL SYMBOLS                                   | 4 PLACES  | $\pm$      | 2020/05/12  |         | 2020/06/10 |                 | 2020/06/10     |              | 2016/11/18 |  |
|  | 3 PLACES  | $\pm$      | 2020/05/12  |         | 2020/06/10 |                 | 2020/06/10     |              | 2016/11/30 |  |
|  | 2 PLACES  | $\pm 0.05$ | 2020/05/12  |         | 2020/06/10 |                 | 2020/06/10     |              | 2016/11/30 |  |
|  | 1 PLACE   | $\pm 0.25$ | 2020/05/12  |         | 2020/06/10 |                 | 2020/06/10     |              | 2016/11/30 |  |
|  | 0 PLACES  | $\pm$      | 2020/05/12  |         | 2020/06/10 |                 | 2020/06/10     |              | 2016/11/30 |  |
| DRAFT WHERE APPLICABLE MUST REMAIN WITHIN DIMENSIONS |   |            | THIRD ANGLE PROJECTION  | DRAWING | SERIES     | MATERIAL NUMBER | CUSTOMER       | SHEET NUMBER |            |  |
|  |   |            |   | C-SIZE  | 46317      | 463171002       | GENERAL MARKET | 2 OF 3       |            |  |

**molex**

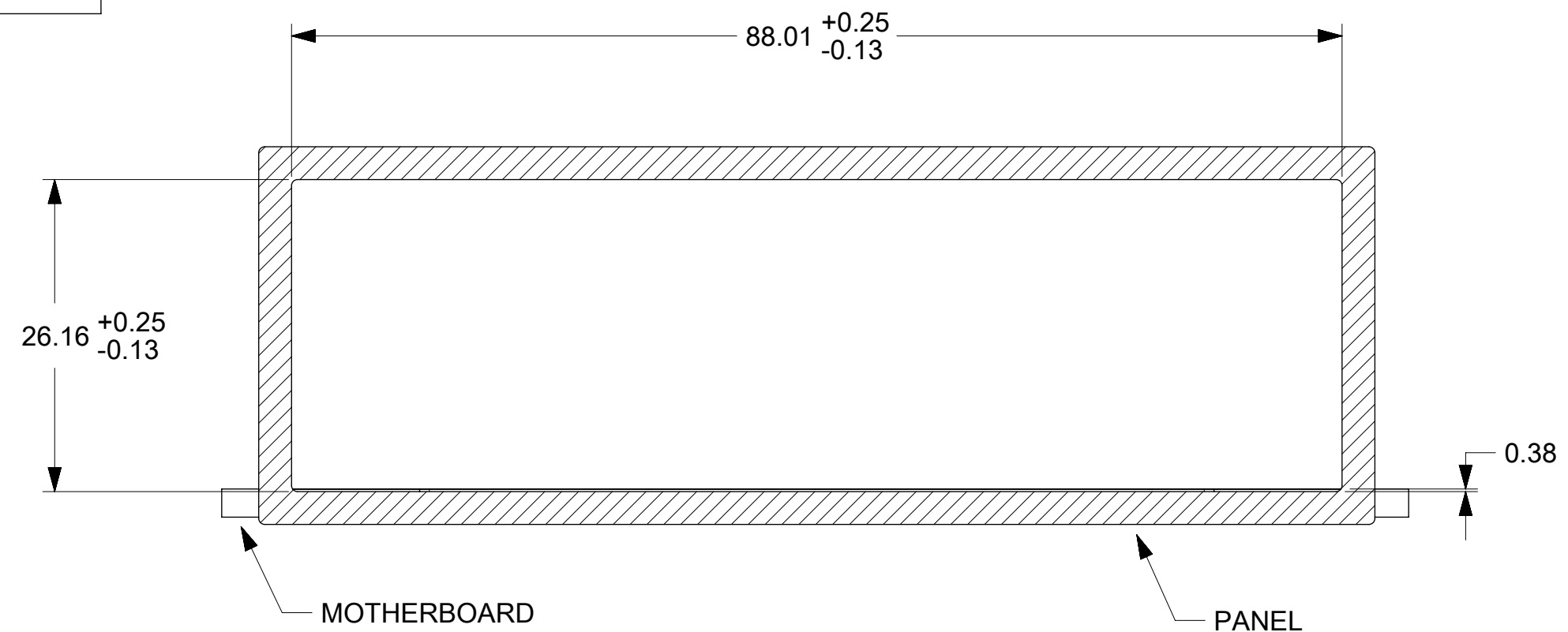
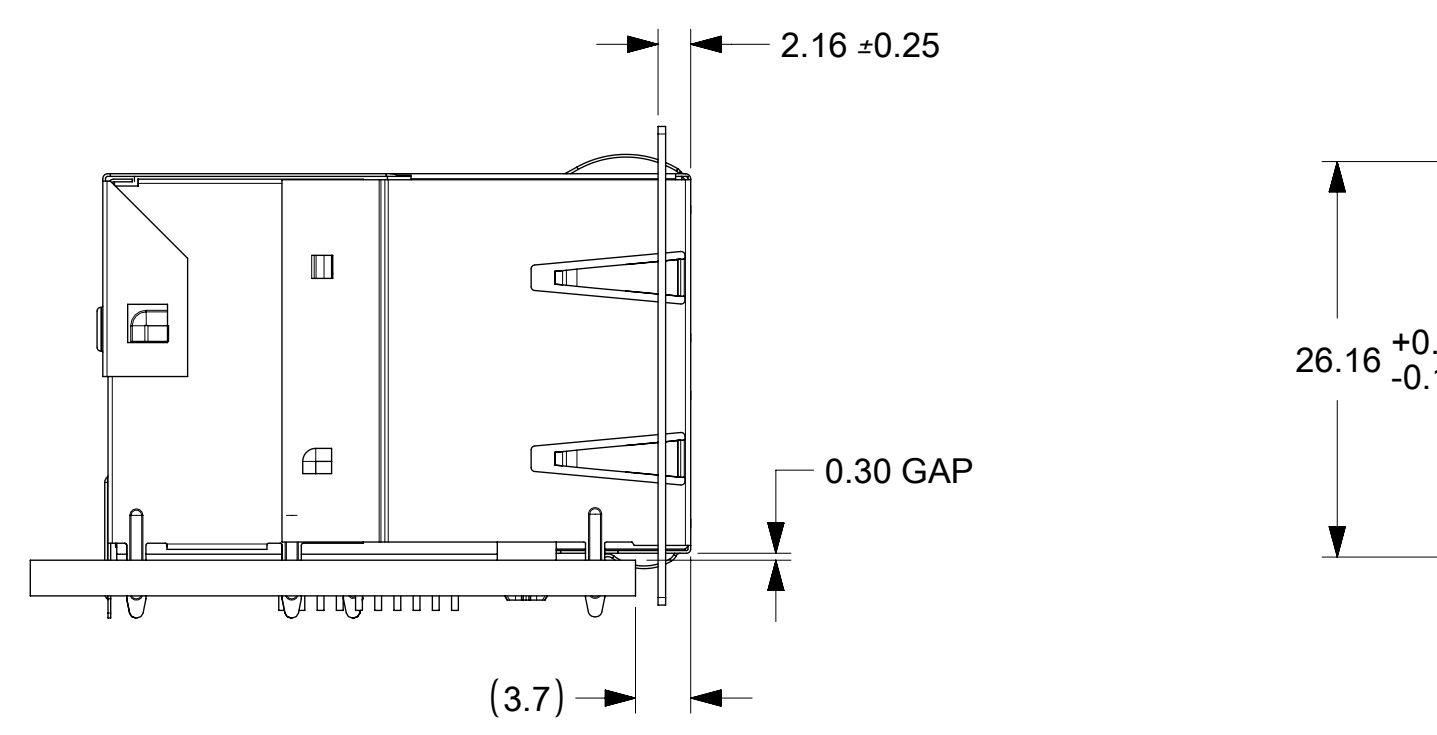
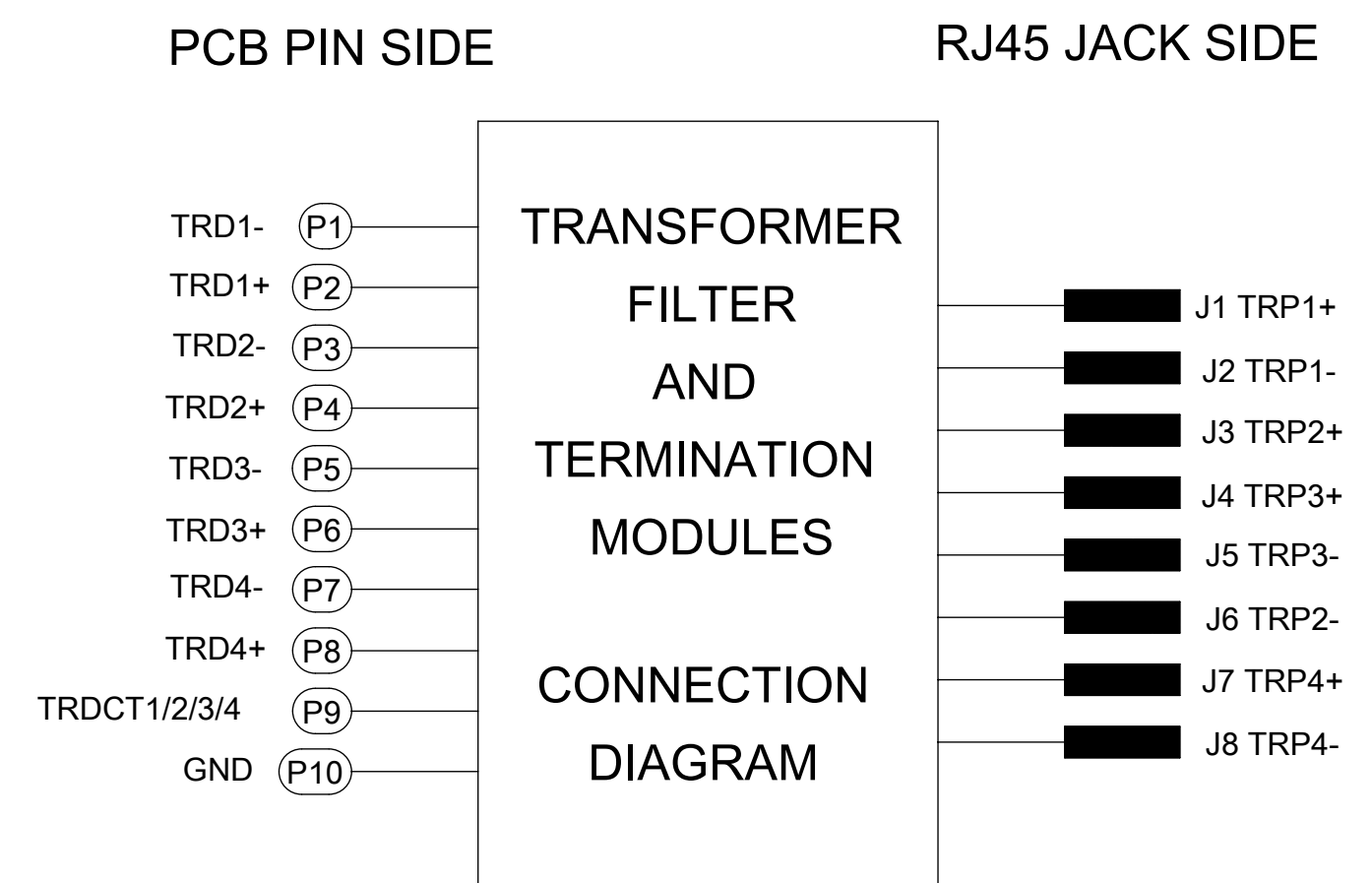
2X6 STACKED MAGNETIC JACK NON POE VERSION

PRODUCT CUSTOMER DRAWING

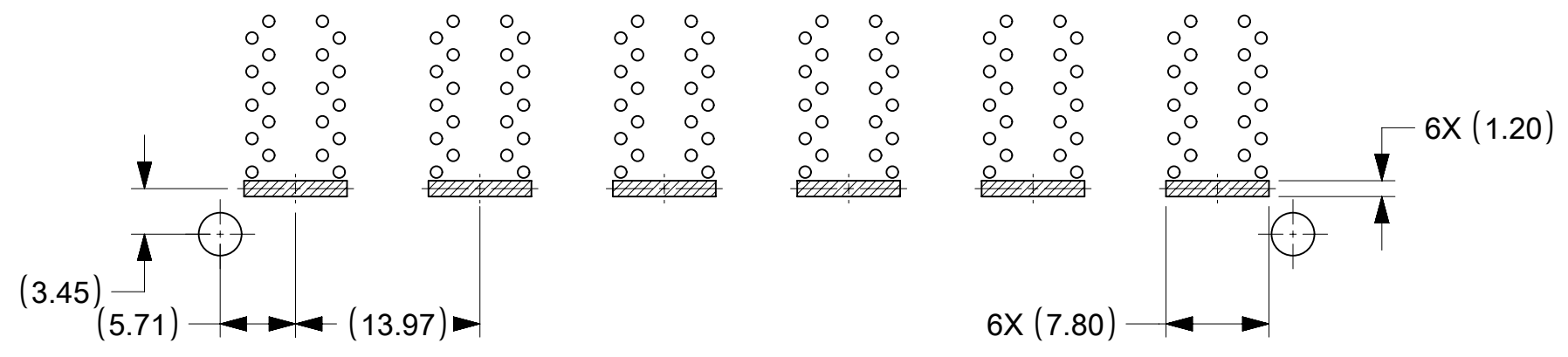
DOCUMENT NUMBER  
**SD-46317-002**

DOC TYPE DOC PART REVISION  
PSD 000 **A3**

| ELECTRICAL CHARACTERISTIC              |                        | VALUE AT 25°C               |
|--|------------------------|-----------------------------|
| INSERTION LOSS                         | 1 - 40 MHz             | 0.5 dB MAX                  |
|  | 40 - 100 MHz           | 1.0 dB MAX                  |
|  | 100 - 125 MHz          | 1.3 dB MAX                  |
| RETURN LOSS                            | 1 - 40 MHz             | 18 dB MIN                   |
|  | 40 - 100 MHz           | 12 dB MIN                   |
|  | 100 - 125 MHz          | 10 dB MIN                   |
| OPEN CIRCUIT INDUCTANCE (OCL)          | 100kHz / 0.1V / 8mA DC | 350 μH MIN                  |
| TURN RATIO                             |                        | 1.00 ±0.02                  |
| HI-POT                                 |                        | 2250 VDC                    |
| DC HANDLING CAPABILITY FROM CENTER TAP |                        | 350 mA CONTINUOUS           |
|  |                        | 500 mA FOR 400 MILLISECONDS |
| COMMON MODE TO DIFFERENTIAL MODE       | 100 kHz - 40 MHz       | -50 dB MAX                  |
|  | 40 - 100 MHz           | -40 dB MAX                  |
|  | 100 - 200 MHz          | -35 dB MAX                  |
| COMMON MODE TO COMMON MODE             | 100 kHz - 40 MHz       | -50 dB MAX                  |
|  | 40 - 100 MHz           | -40 dB MAX                  |
|  | 100 - 200 MHz          | -33 dB MAX                  |
|  | 200 - 300 MHz          | -25 dB MAX                  |
|  | 300 - 500 MHz          | -20 dB MAX                  |



**SUGGESTED PANEL OPENING**



**RECOMMENDED KEEP OUT ZONE**

NOTE: THE SHADED AREA OF CUSTOMER PCB IS RECOMMENDED TO BE CLEAR OFF ANY CIRCUIT TRACE, VIA HOLE OR COMPONENT PAD.

|   |                 |       |   |       |                        |         |                 |          |              |          |
|---|-----------------|-------|---|-------|------------------------|---------|-----------------|----------|--------------|----------|
| THIS DRAWING CONTAINS INFORMATION THAT IS PROPRIETARY TO MOLEX ELECTRONIC TECHNOLOGIES, LLC AND SHOULD NOT BE USED WITHOUT WRITTEN PERMISSION |                 |       |   |       |                        |         |                 |          |              |          |
| FUNCTIONAL SYMBOLS  | DIMENSION UNITS | SCALE | CURRENT REV DESC: 1.REMOVE OBSOLETE PART NUMBER 463171003/1004. 2.ADD RECOMMENDED KEEP OUT ZONE SEE SHEET 3.  |       |                        |         |                 |          |              |          |
| $\nabla_A = 0$  | mm              | 2:1   | <p>EC NO: 638658</p> <p>DRWN: GWU15 2020/05/12</p> <p>CHK'D: KLANG 2020/06/10</p> <p>APPR: KLANG 2020/06/10</p> <p>INITIAL REVISION:</p> <p>DRWN: GMINNICK 2016/11/18</p> <p>APPR: KLANG 2016/11/30</p> |       |                        |         |                 |          |              |          |
| GENERAL TOLERANCES (UNLESS SPECIFIED)   |                 |       |   |       |                        |         |                 |          |              |          |
| ANGULAR TOL   | ± 0.5°          |       |   |       |                        |         |                 |          |              |          |
| 4 PLACES  | ±               |       |   |       |                        |         |                 |          |              |          |
| DIVISIONAL SYMBOLS  |                 |       | PRODUCT CUSTOMER DRAWING  |       |                        |         | DOCUMENT NUMBER | DOC TYPE | DOC PART     | REVISION |
| 3 PLACES  | ±               |       | SD-46317-002  |       |                        |         | PSD             | 000      | A3           |          |
| 2 PLACES  | ± 0.05          |       | MATERIAL NUMBER   |       |                        |         | CUSTOMER        |          | SHEET NUMBER |          |
| 1 PLACE   | ± 0.25          |       | 463171002   |       |                        |         | GENERAL MARKET  |          | 3 OF 3       |          |
| 0 PLACES  | ±               |       | DRAFT WHERE APPLICABLE MUST REMAIN WITHIN DIMENSIONS  |       | THIRD ANGLE PROJECTION | DRAWING | SERIES          |          |              |          |
|   |                 |       | C-SIZE  | 46317 |                        |         |                 |          |              |          |