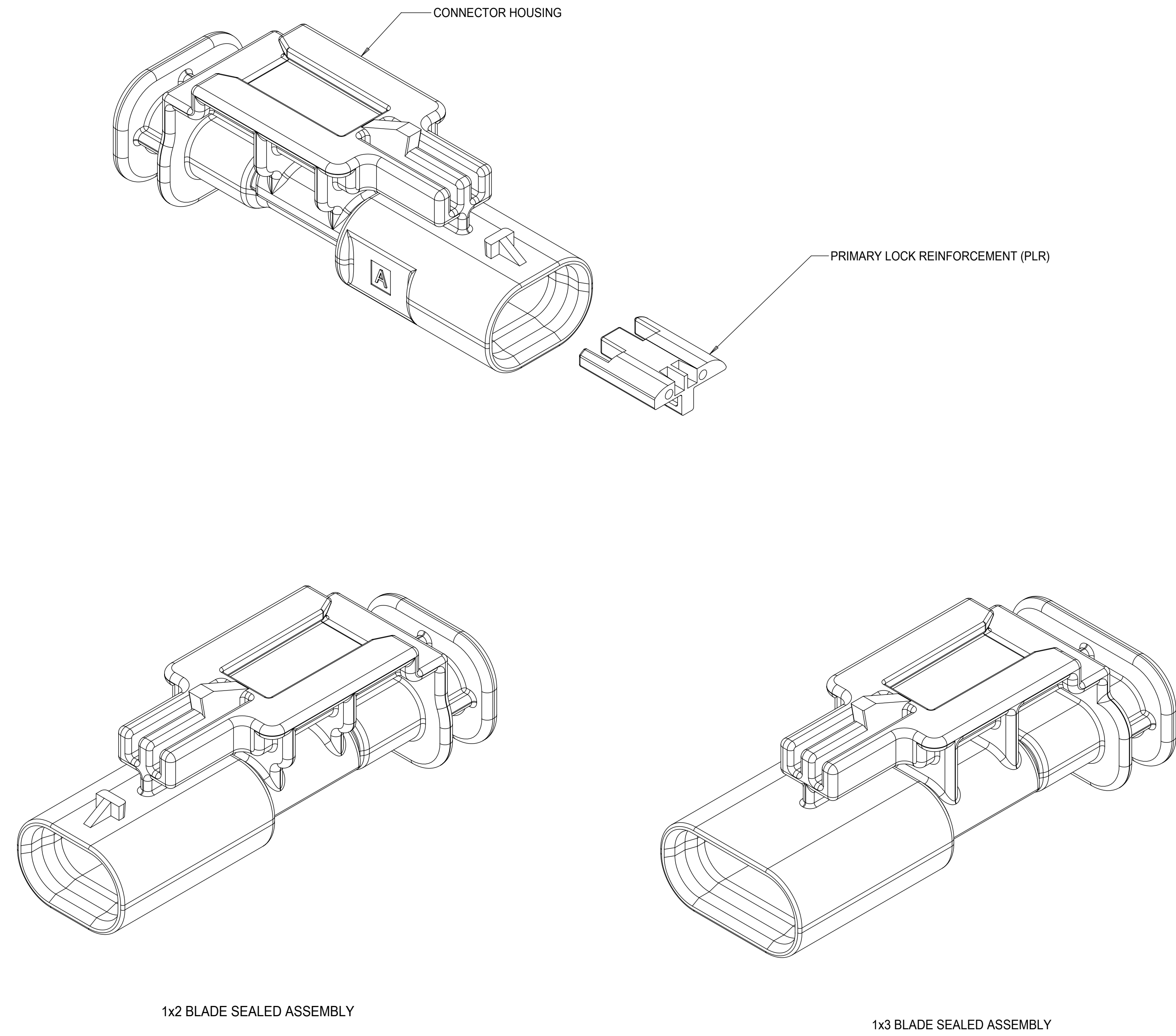


TABLE OF CONTENTS	
SHEET NO.	SHEET DESCRIPTION
1	NOTES
2	1x2 BLADE SEALED ASSEMBLY KEYING CONFIGURATIONS
3	1x3 BLADE SEALED ASSEMBLY KEYING CONFIGURATIONS
4	CLIP-SLOT CONFIGURATIONS
5	BLADE SEALED ASSEMBLY
6	CONNECTION SYSTEM PACKAGING
7	WIRE DRESS COVER INTERFACE OPTIONS
8	1x2 BLADE SEALED ASSEMBLY BOM INTERFACE OPTION 1
9	1x2 BLADE SEALED ASSEMBLY BOM INTERFACE OPTION 2
10	1x3 BLADE SEALED ASSEMBLY BOM INTERFACE OPTION 1
11	1x3 BLADE SEALED ASSEMBLY BOM INTERFACE OPTION 2



NOTES: VALID UNLESS OTHERWISE SPECIFIED

- GENERAL:
 - APPLICATION SPECIFICATION SEE: AS-34900-0001
CONTAINS: PRODUCT INTRODUCTION, PRODUCT SUMMARY, CONNECTOR ASSEMBLY, PACKAGING INFORMATION, CONNECTOR MATING, SERVICE INSTRUCTIONS, ELECTRICAL CONTINUITY CHECKING, CRIMPING, AND TROUBLESHOOTING.
 - PRODUCT SPECIFICATION SEE: PS-34900-0001
CONTAINS: PRODUCT INTRODUCTION, PRODUCT SUMMARY, RATINGS (CURRENT, TEMPERATURE, SEALING, AND FLAMMABILITY), AND PRODUCT VALIDATION.
 - PACKAGING SPECIFICATION PER MOLEX DRAWING: PK-31301-898
 - PARTS MUST BE IN COMPLIANCE TO MOLEX CHEMICAL SUBSTANCES FOR PRODUCTS AND PACKAGING SPECIFICATION: ES-40000-5016
 - DATA MUST BE SUBMITTED UNDER THE MOLEX PART NUMBER TO IMDS (COMPANY ID#13255)
- DESIGN - MATERIALS:
 - SEE BOM TABLE
- DESIGN - GEOMETRY:
 - THIS IS A 100% CAD GENERATED PART. THE CAD MATHEMATICAL DATA IS THE MASTER FOR THIS PART. FOR DIMENSIONAL OR ANY INFORMATION NOT SHOWN ON THIS DRAWING, ANALYZE THE CAD MODEL.
 - GEOMETRIC DIMENSIONS AND TOLERANCES PER ASME Y14.5M - 1994
 - EDGES AND UNDIMENSIONED DETAILS PER ISO13715
 - CORNERS SHOWN AS SHARP TO BE R 0.2 MAX.
 - LETTERING SHALL BE 0.15 MAX RAISED IN 0.25 MAX RECESS PAD. THIS INCLUDES RECYCLING CODE, CAVITY ID, VENDOR IDENTIFICATION,
 - VISUAL DEFECTS SHALL MEET COSMETIC STANDARD PS-45499-002 (Class B)
 - LASER MARKING:
 - PART NUMBER
 - DAY OF THE YEAR
 - SHIFT
 - YEAR

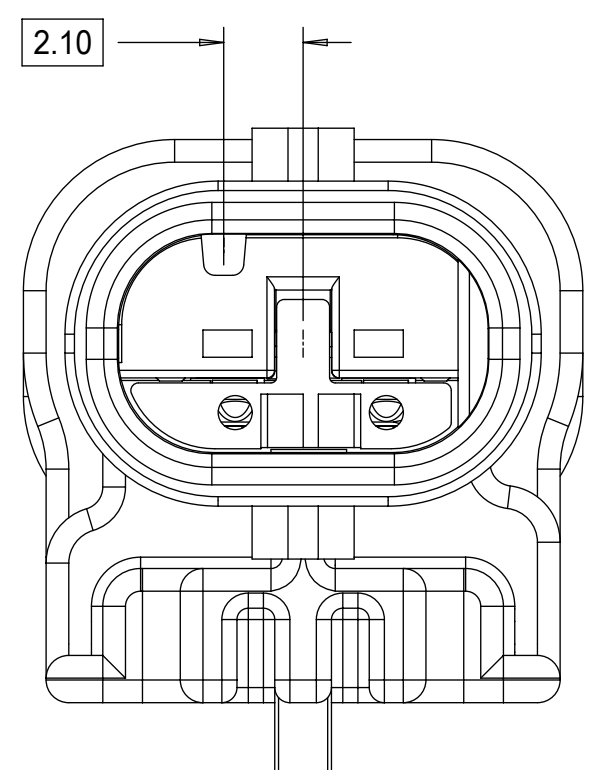
B	PART NUMBERS OBSOLETE
A17	NOTE ADDED ON PRESENCE OF SHARKFINS
A16	CHANGED PNs TO OBSOLETE STATUS
A15	- NX-REMASTERING FROM MODEL MANAGER - 1x2 KEY C MOVED TO SALEABLE - 1x3 WDC INTERFACE 2 PART NUMBERS UPDATED TO MATCH E-DRAWING
A14	CORRECTED CHARTED DIMENSION 3 FOR 1X3 11MM CLIPSLOT
A13	1x3 KEY A&B SALEABLE (NON 40G)
A12	1X2 KEYS A&B W/ WDC SALEABLE
A11	CORRECTED REVISION LOG
A10	1X2,1X3 WIRE DRESS FEATURES OK TO TOOL
A9	1X2,1X3 PART # STATUS UPDATED
A8	1X2 40G CLIP-SLOT OK TO TOOL
A7	1X2,1X3 PART # UPDATED TO "TOOLED BUT NOT VALIDATED"
A6	ADDED 40G CLIP-SLOT PART NUMBERS
A5	BOM CORRECTIONS AND UPDATES
A4	BOM CORRECTIONS AND UPDATES
A3	1x2, 1x3 NON-SIR PART# OK TO TOOL
A2	ADDED 1x3 11mm CLIP-SLOT PART #
A	ADDED BLACK PART# AND MINOR BOM UPDATES
6	ADDED CLIP SLOT CONFIGURATIONS
5	1X3 BOM UPDATED
4	1X3 INLINE ASSY VIEWS ADDED
3	MINOR BOM CORRECTIONS
2	UPDATED PACKAGING DIMENSIONS
1	INITIAL RELEASE
REV	DESCRIPTION

INSPECTION NUMBER LOG
LAST NUMBER USED:
ADDED:
REMOVED:

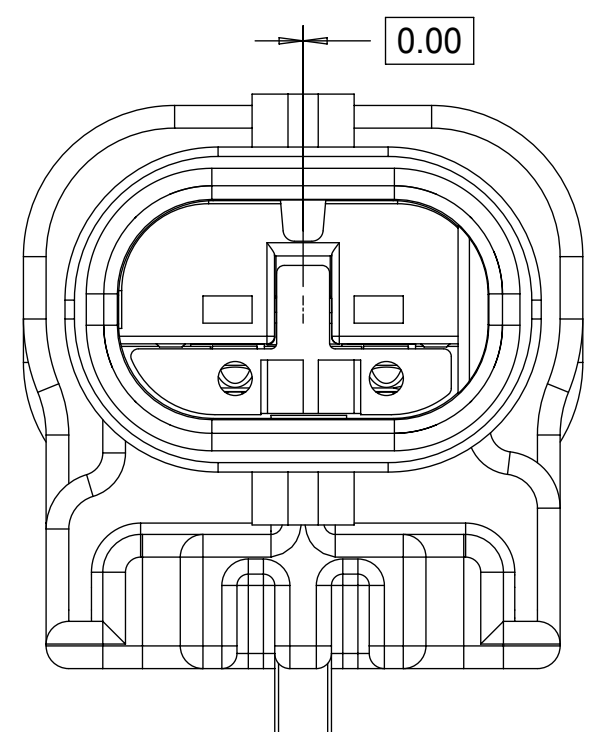
THIS DRAWING CONTAINS INFORMATION THAT IS PROPRIETARY TO MOLEX ELECTRONIC TECHNOLOGIES, LLC AND SHOULD NOT BE USED WITHOUT WRITTEN PERMISSION											
DIMENSION UNITS		SCALE		CURRENT REV DESC: OBSOLETE PART NUMBER							
mm		4:1									
GENERAL TOLERANCES (UNLESS SPECIFIED)											
ANGULAR TOL ± 3.0°											
4 PLACES		±		EC NO: 649191							
3 PLACES		±		DRWN: AKUMAR19				2020/10/16			
2 PLACES		± 0.1		CHK'D: GGA				2020/11/30			
1 PLACE		± 0.2		APPR: GGA				2020/11/30			
0 PLACES		± 0.5		INITIAL REVISION:							
DRAFT WHERE APPLICABLE MUST REMAIN WITHIN DIMENSIONS				THIRD ANGLE PROJECTION		DRAWING		SERIES		MATERIAL NUMBER	
				D-SIZE		34899		SEE BOM		CUSTOMER	
				PSD		001		GENERAL MARKET		SHEET NUMBER	
										1 OF 11	

DOCUMENT STATUS	P1	RELEASE DATE	2020/11/30	11:09:20
-----------------	----	--------------	------------	----------

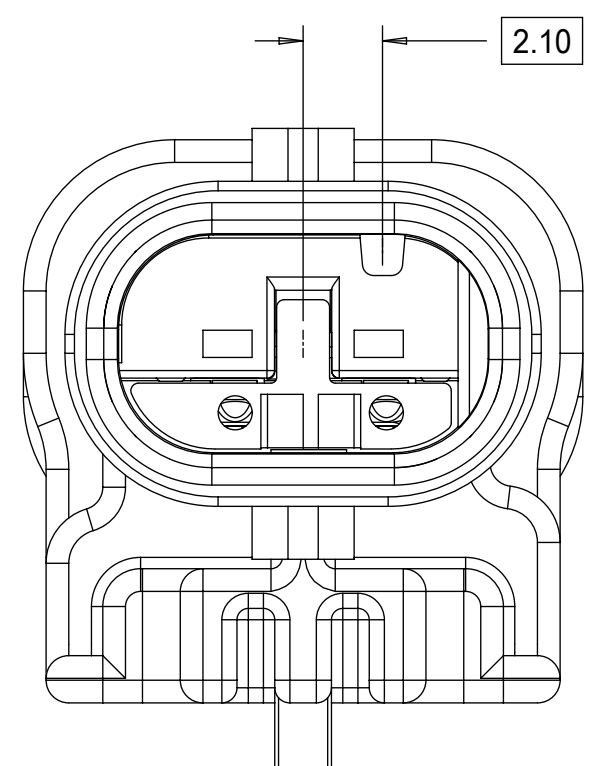
1x2 BLADE SEALED ASSEMBLY KEYING CONFIGURATIONS. FOR PART NUMBERS REFER TO BOM SHEET.



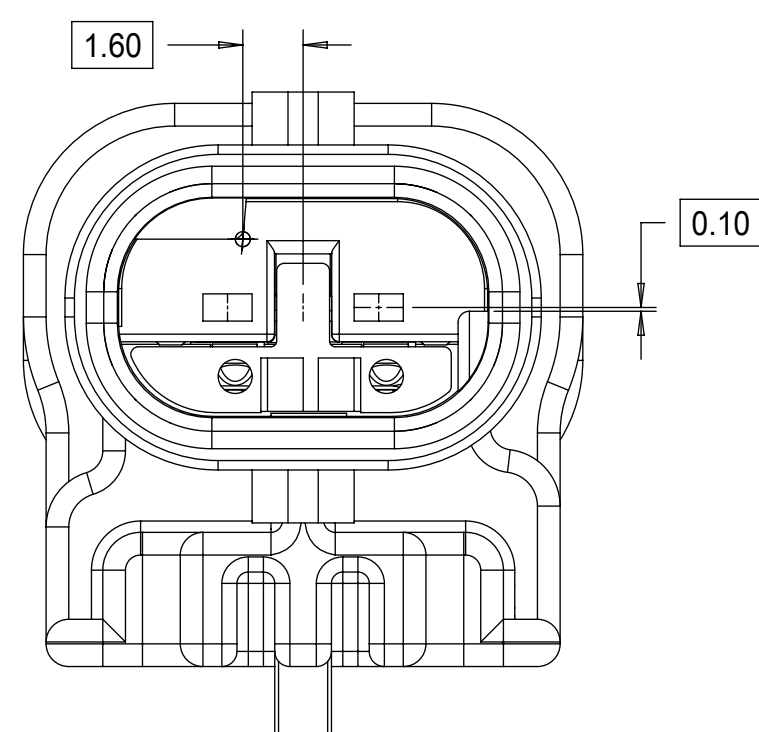
KEYING OPTION A



KEYING OPTION B



KEYING OPTION C

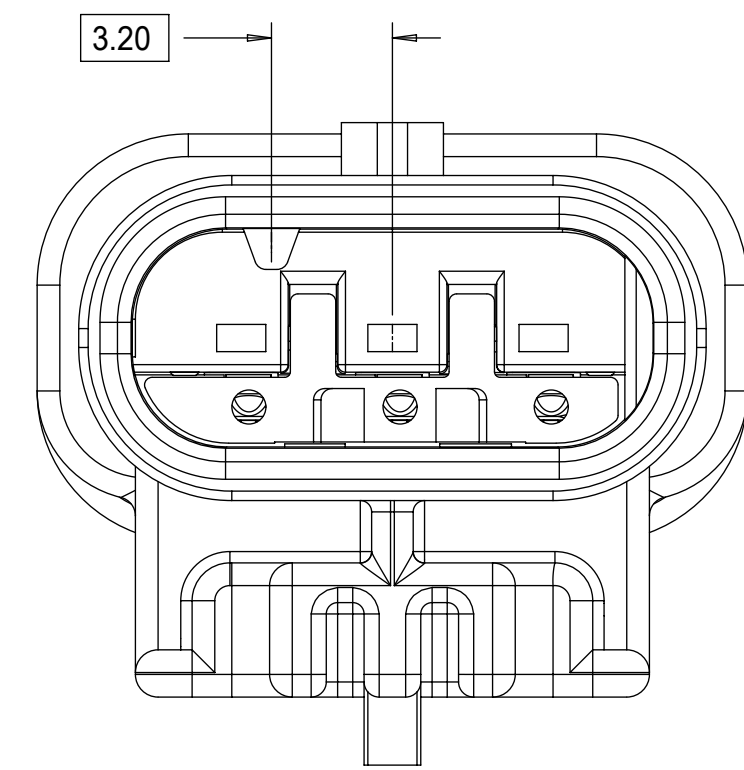


KEYING OPTION E

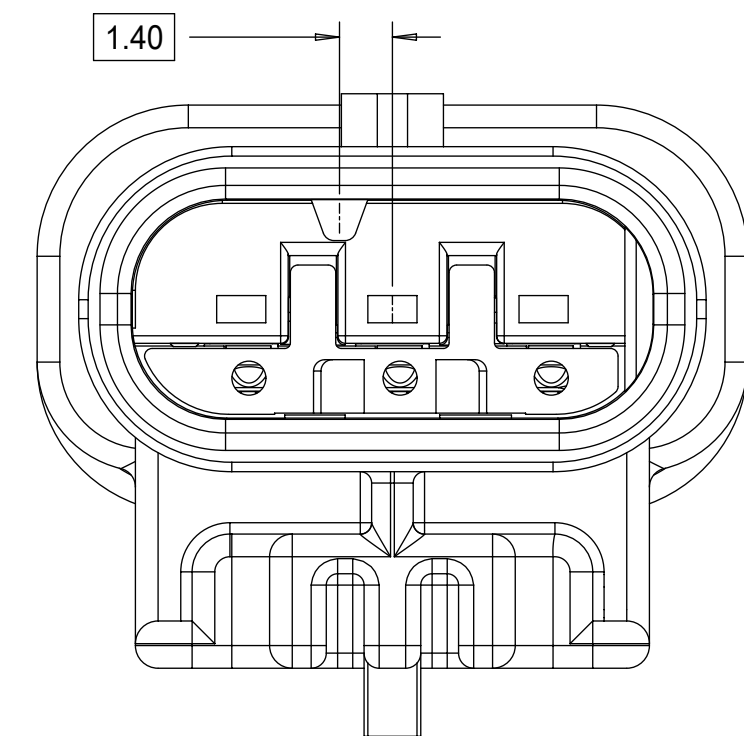
THIS DRAWING CONTAINS INFORMATION THAT IS PROPRIETARY TO MOLEX ELECTRONIC TECHNOLOGIES, LLC AND SHOULD NOT BE USED WITHOUT WRITTEN PERMISSION									
DIMENSION UNITS		SCALE		CURRENT REV DESC: OBSOLETE PART NUMBER					
mm		5:1		<p>molex</p> <p>1.2MM 1X2, 1X3 BLADE SEALED ASSEMBLY CABLE SEAL 639764 - REMOVED CPA3 AND REPLACED WITH CPA2 AGAIN 64</p> <p>PRODUCT CUSTOMER DRAWING</p>					
GENERAL TOLERANCES (UNLESS SPECIFIED)									
ANGULAR TOL ± 3.0°									
4 PLACES ±		EC NO: 649191							
3 PLACES ±		DRWN: AKUMAR19 2020/10/16							
2 PLACES ± 0.1		CHK'D: GGA 2020/11/30							
1 PLACE ± 0.2		APPR: GGA 2020/11/30							
0 PLACES ± 0.5		INITIAL REVISION:		DOCUMENT NUMBER		DOC TYPE		DOC PART	
DRAFT WHERE APPLICABLE		THIRD ANGLE PROJECTION		DRAWING		SERIES		MATERIAL NUMBER	
MUST REMAIN WITHIN DIMENSIONS				D-SIZE		34899		SEE BOM	
						CUSTOMER		SHEET NUMBER	
						GENERAL MARKET		2 OF 11	

DOCUMENT STATUS	P1	RELEASE DATE	2020/11/30	11:09:20
-----------------	----	--------------	------------	----------

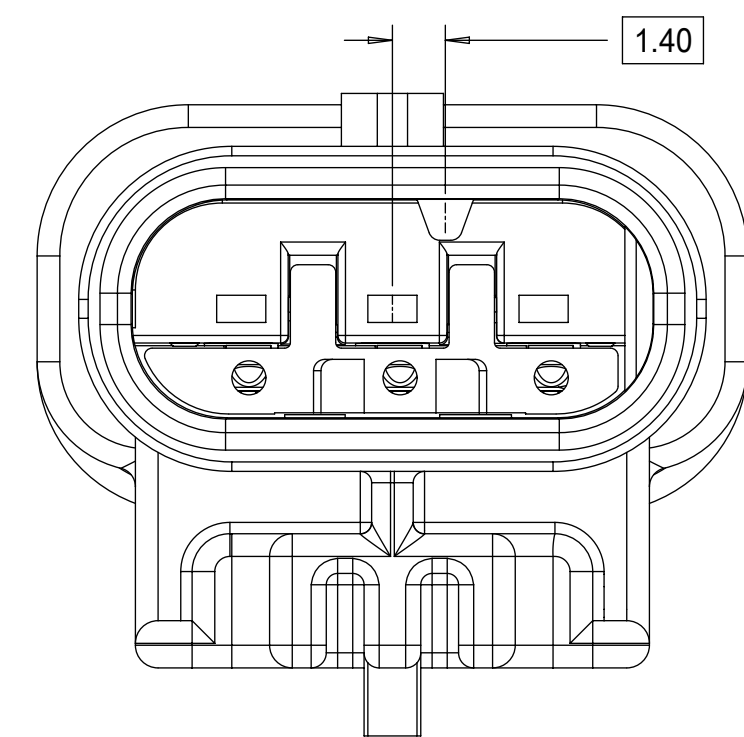
1x3 BLADE SEALED ASSEMBLY KEYING CONFIGURATIONS. FOR PART NUMBERS REFER TO BOM SHEET.



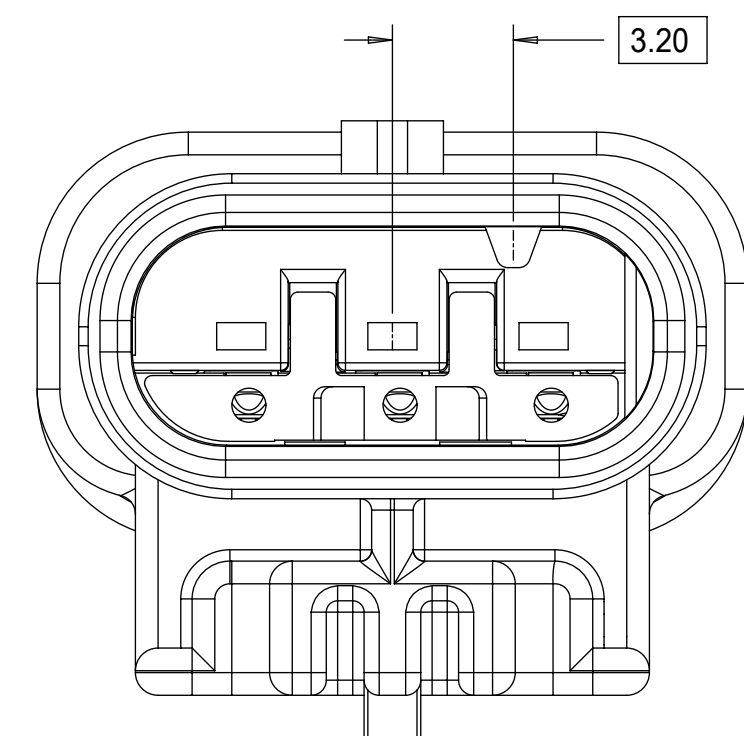
KEYING OPTION A



KEYING OPTION B



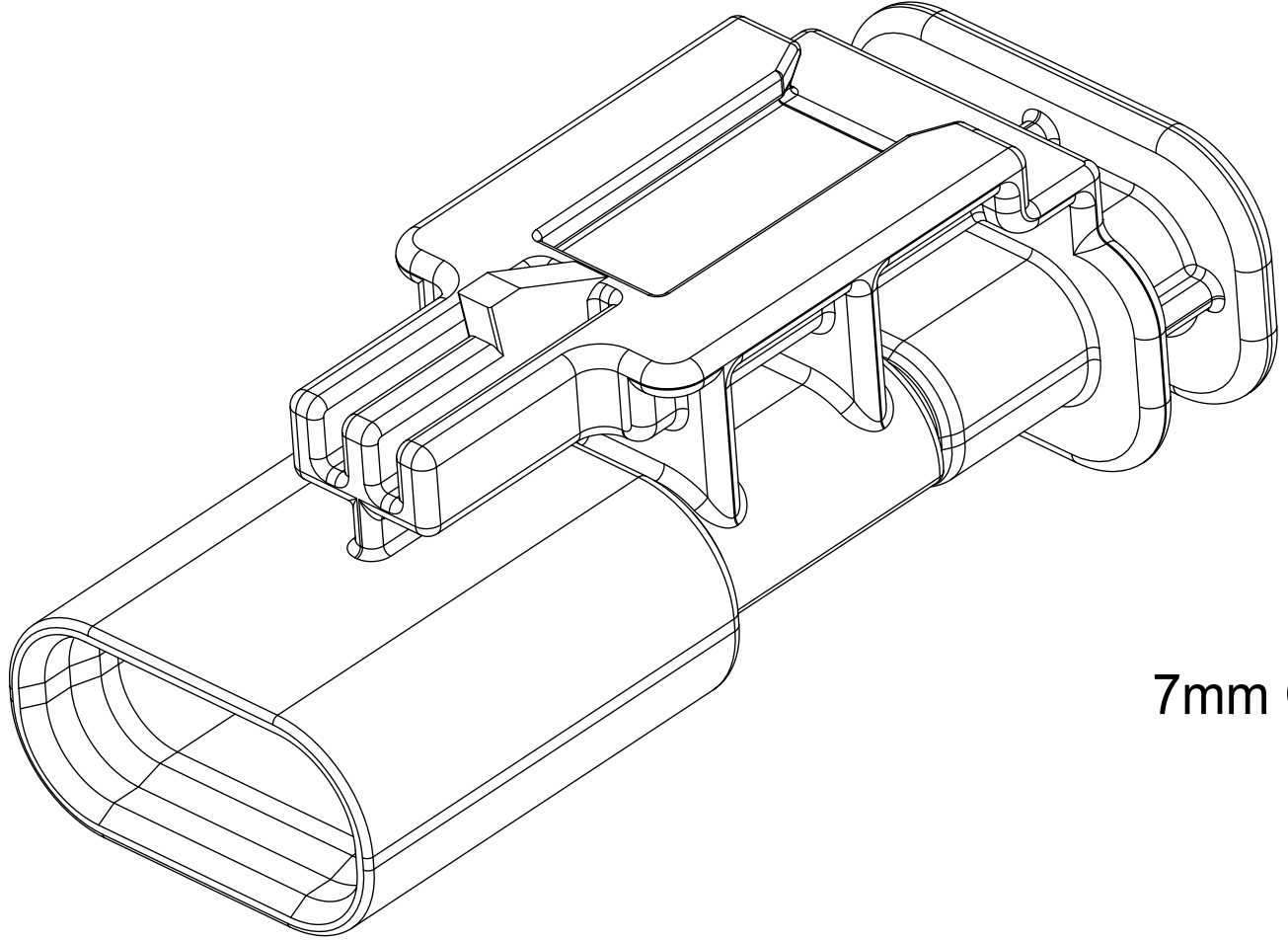
KEYING OPTION C



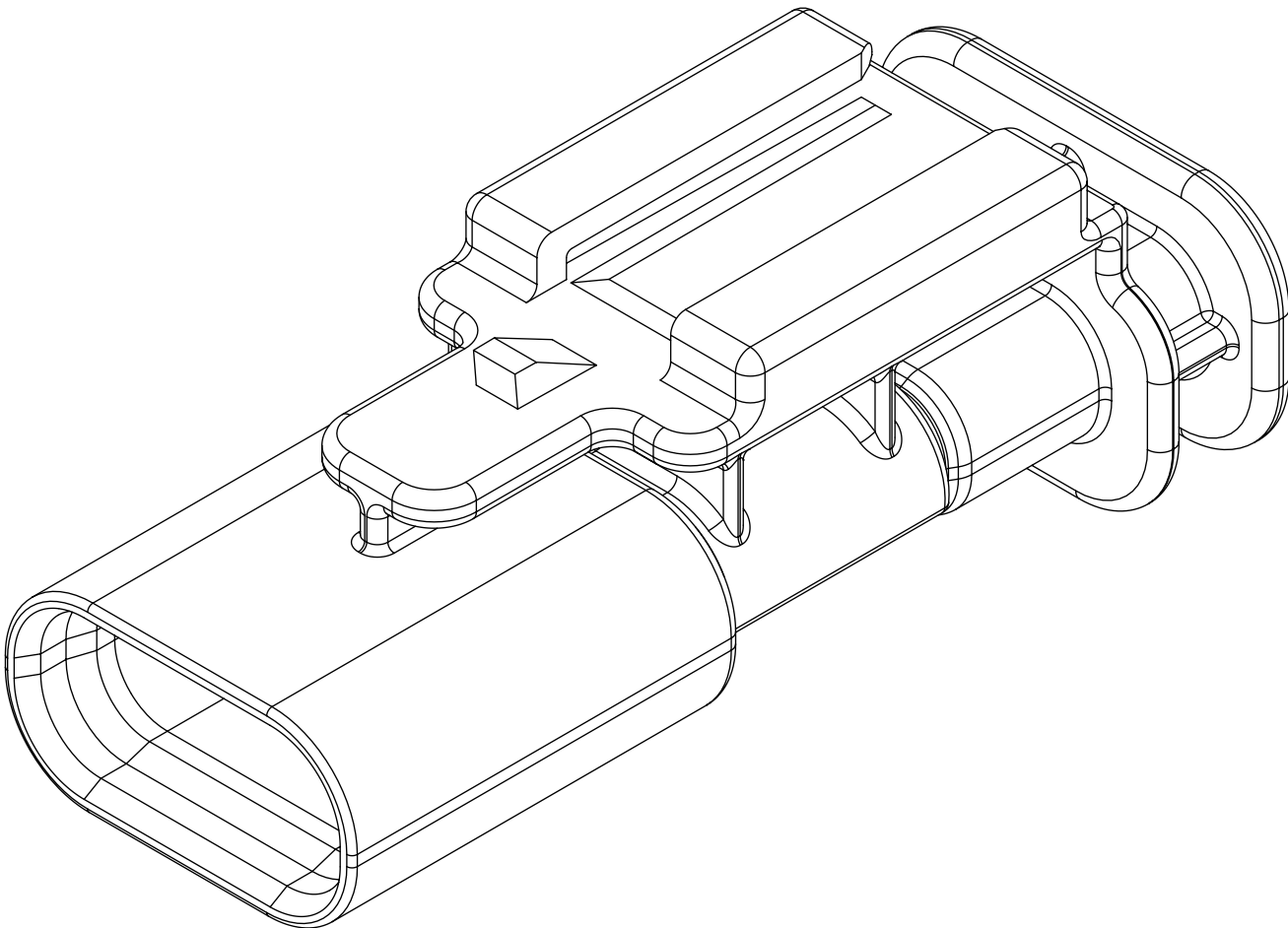
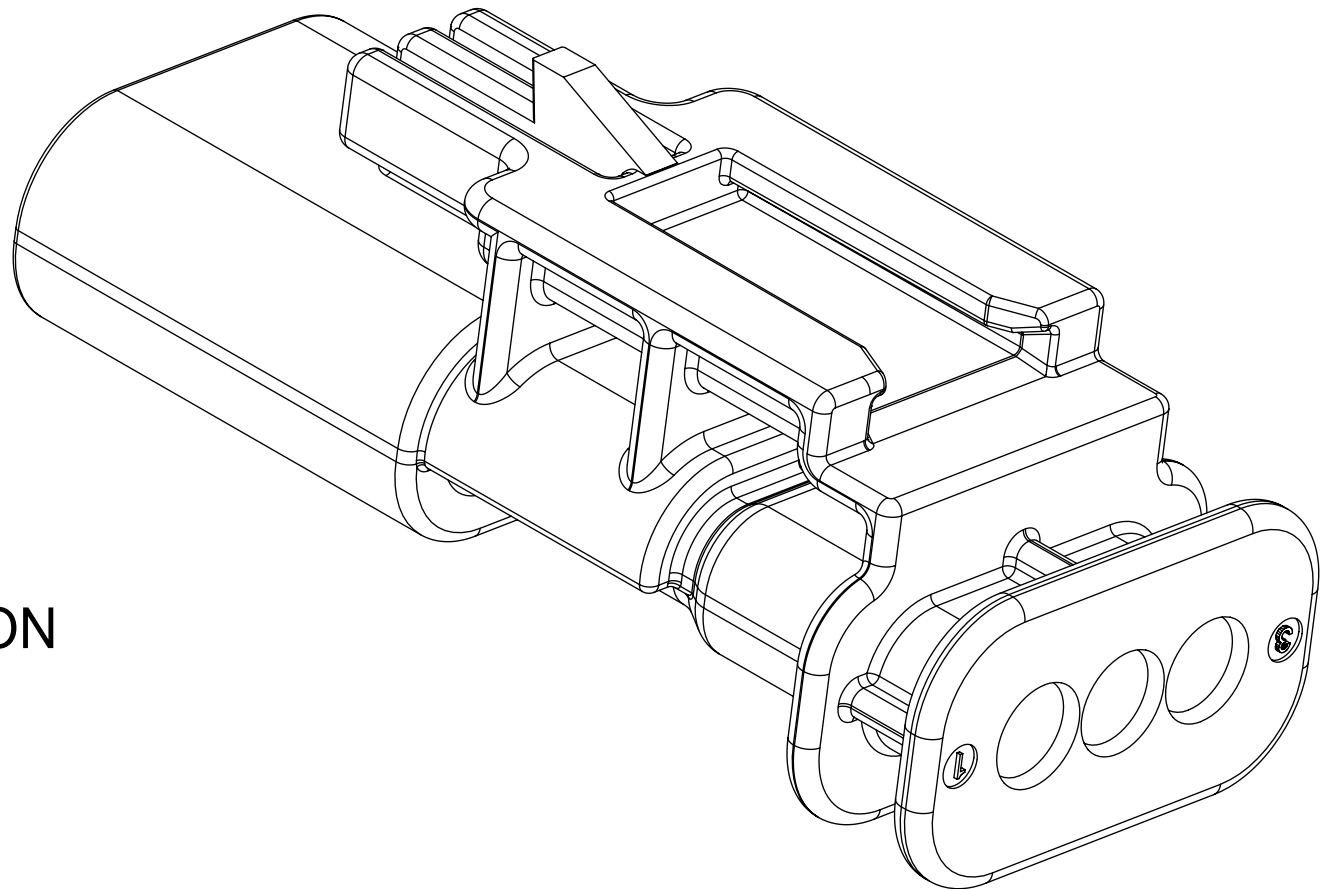
KEYING OPTION D

THIS DRAWING CONTAINS INFORMATION THAT IS PROPRIETARY TO MOLEX ELECTRONIC TECHNOLOGIES, LLC AND SHOULD NOT BE USED WITHOUT WRITTEN PERMISSION									
DIMENSION UNITS		SCALE		CURRENT REV DESC: OBSOLETE PART NUMBER					
mm		5:1		<p>molex</p> <p>1.2MM 1X2, 1X3 BLADE SEALED ASSEMBLY CABLE SEAL 639764 - REMOVED CPA3 AND REPLACED WITH CPA2 AGAIN 64</p> <p>PRODUCT CUSTOMER DRAWING</p>					
GENERAL TOLERANCES (UNLESS SPECIFIED)									
ANGULAR TOL ± 3.0°									
4 PLACES ±		EC NO: 649191							
3 PLACES ±		DRWN: AKUMAR19 2020/10/16							
2 PLACES ± 0.1		CHK'D: GGA 2020/11/30							
1 PLACE ± 0.2		APPR: GGA 2020/11/30							
0 PLACES ± 0.5		INITIAL REVISION:		DOCUMENT NUMBER		DOC TYPE		DOC PART	
DRAFT WHERE APPLICABLE		THIRD ANGLE PROJECTION		DRAWING		SERIES		MATERIAL NUMBER	
MUST REMAIN WITHIN DIMENSIONS				D-SIZE		34899		SEE BOM	
						CUSTOMER		SHEET NUMBER	
						GENERAL MARKET		3 OF 11	

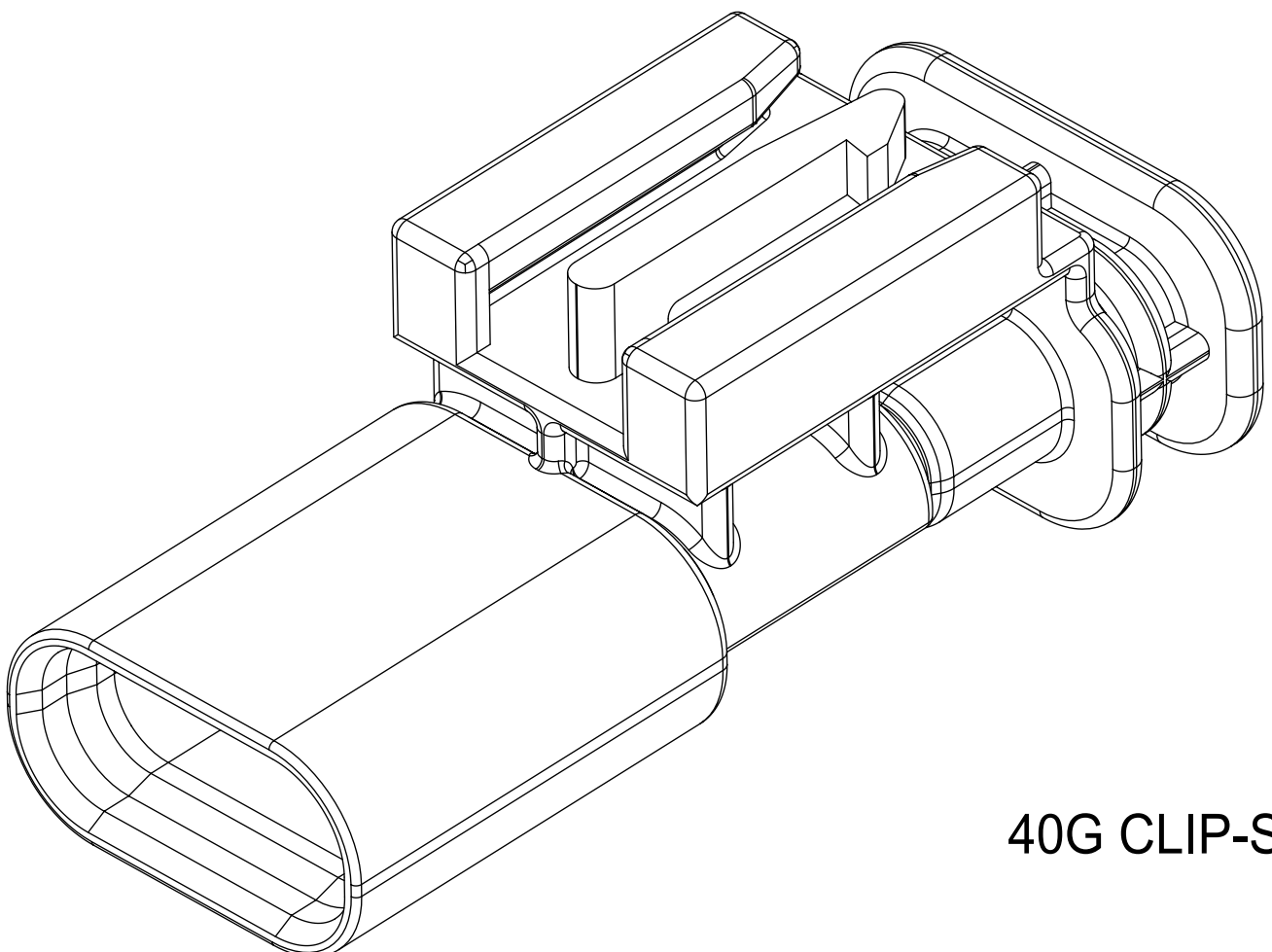
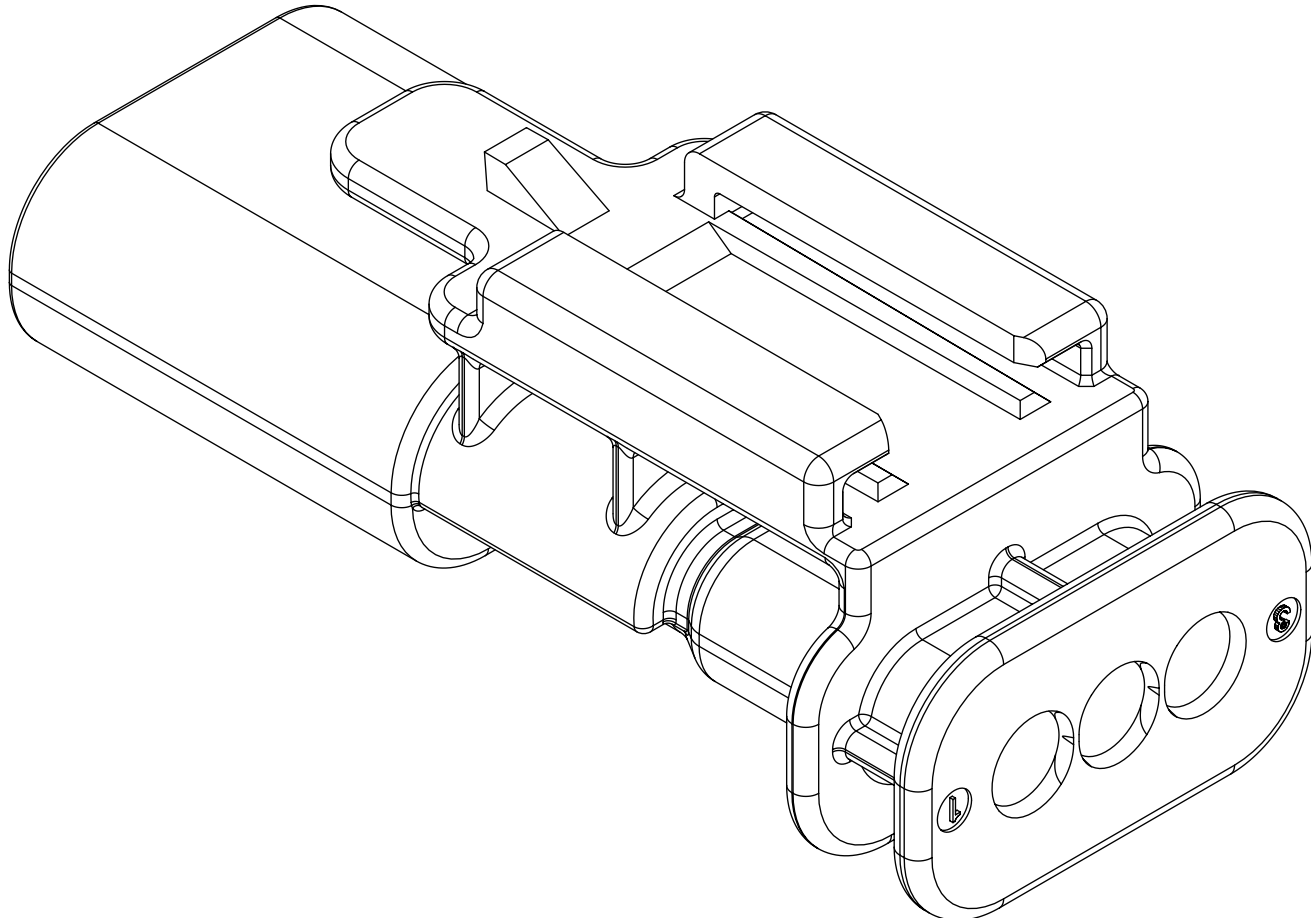
CLIP-SLOT CONFIGURATIONS. FOR PART NUMBERS REFER TO BOM SHEET.



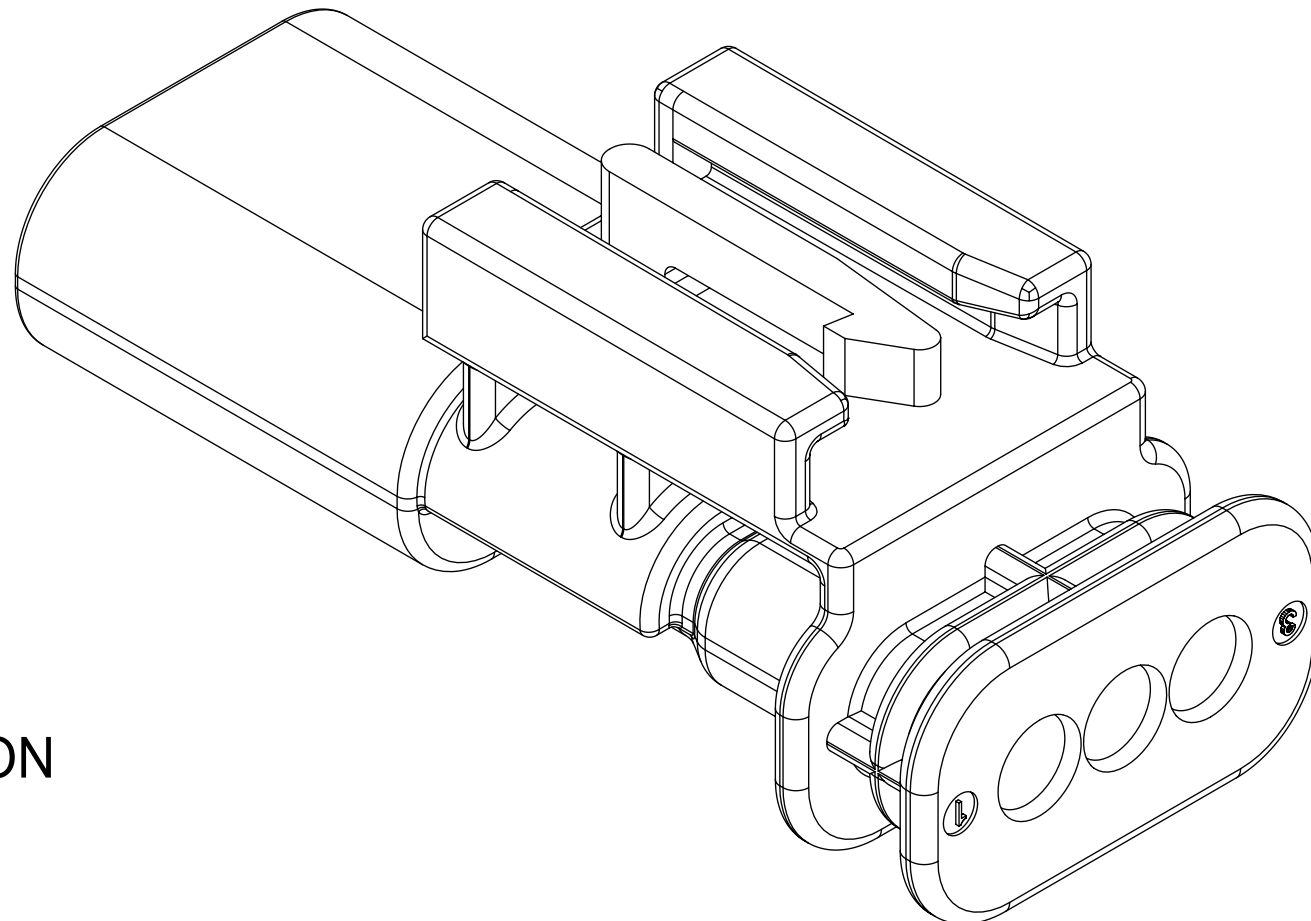
7mm CLIP-SLOT OPTION



11mm CLIP-SLOT OPTION

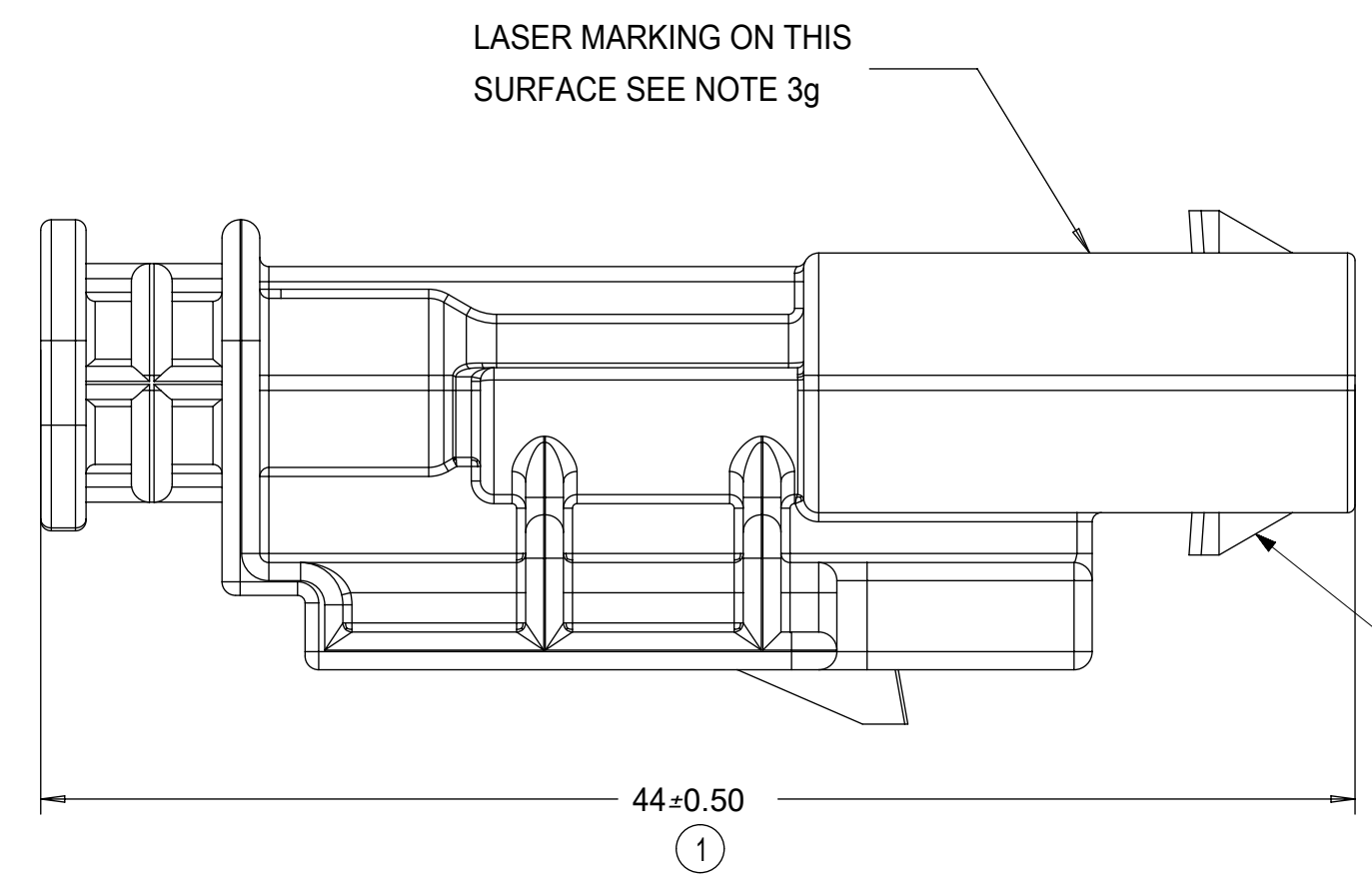


40G CLIP-SLOT OPTION

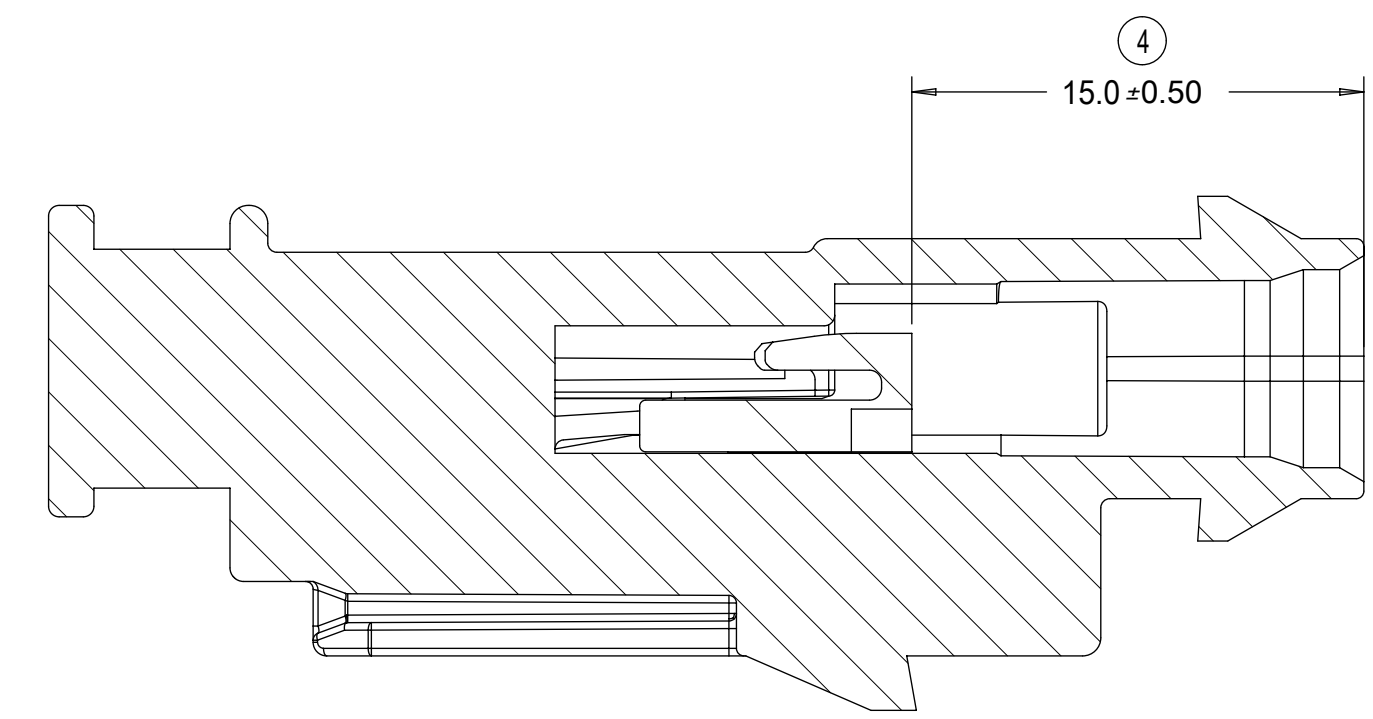
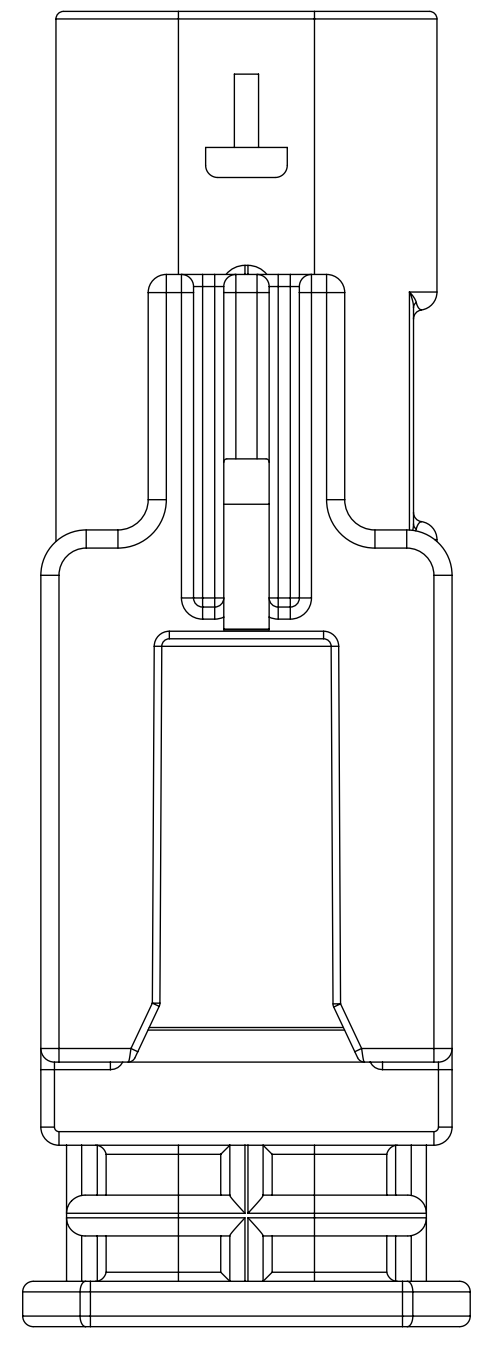
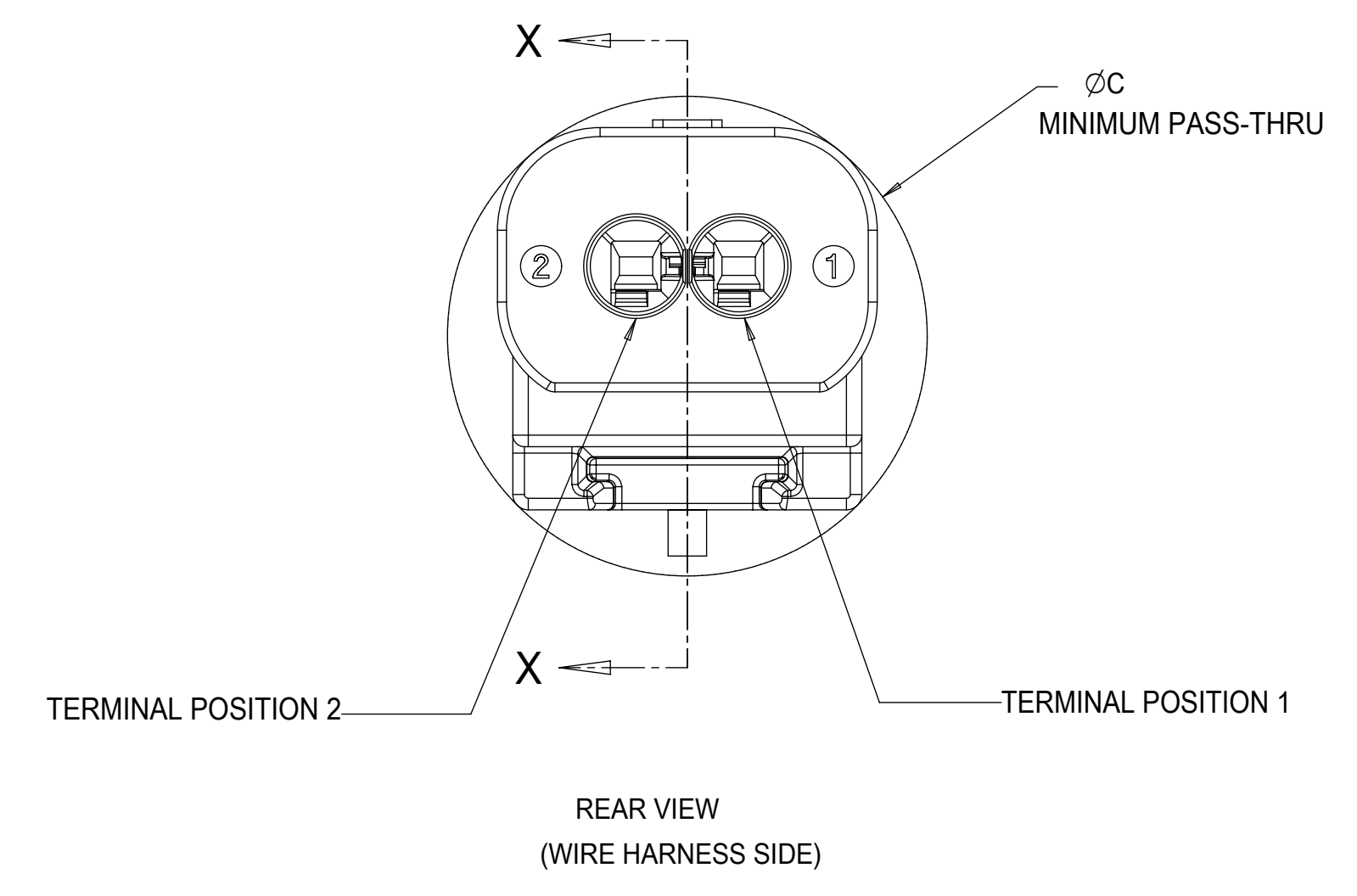
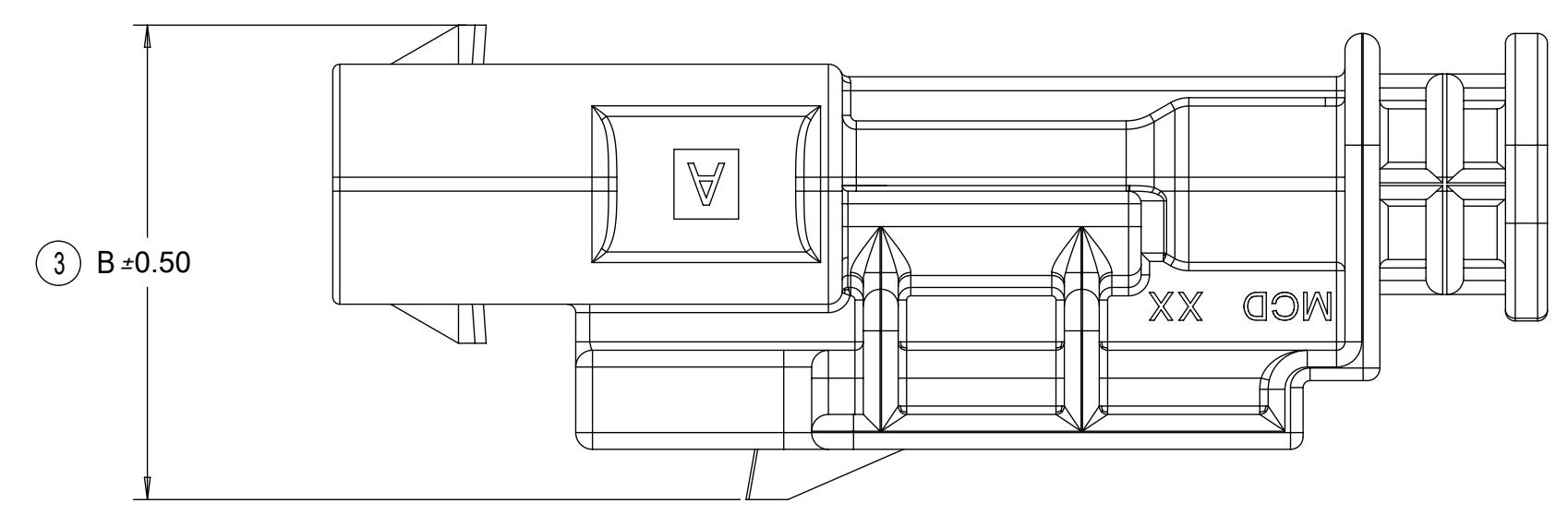
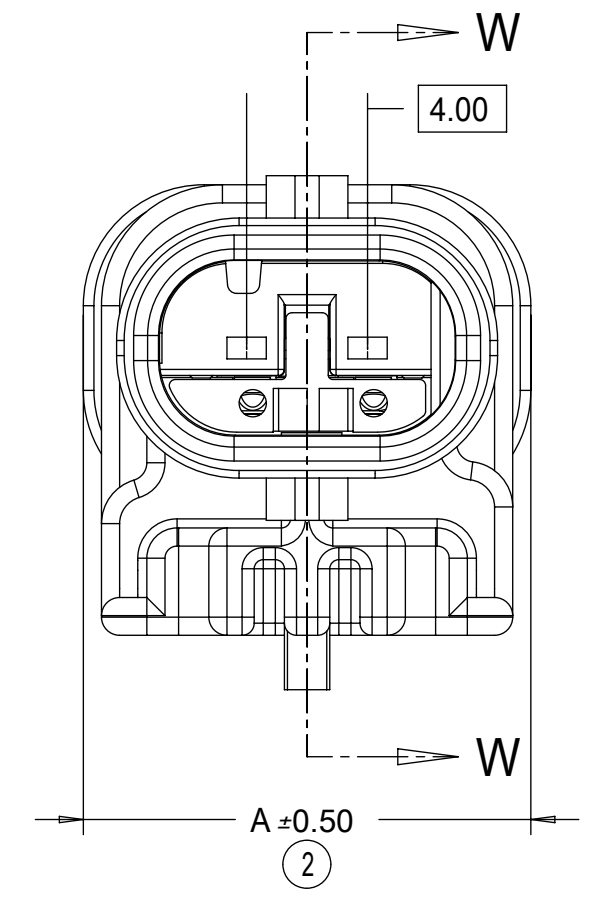


THIS DRAWING CONTAINS INFORMATION THAT IS PROPRIETARY TO MOLEX ELECTRONIC TECHNOLOGIES, LLC AND SHOULD NOT BE USED WITHOUT WRITTEN PERMISSION											
DIMENSION UNITS		SCALE		CURRENT REV DESC: OBSOLETE PART NUMBER							
mm		4:1									
GENERAL TOLERANCES (UNLESS SPECIFIED)											
ANGULAR TOL ± 3.0°				EC NO: 649191							
4 PLACES ±				DRWN: AKUMAR19				2020/10/16			
3 PLACES ±				CHK'D: GGA				2020/11/30			
2 PLACES ± 0.1				APPR: GGA				2020/11/30			
1 PLACE ± 0.2				INITIAL REVISION:							
0 PLACES ± 0.5				DRWN: MVANSLAMBROU				2012/02/15			
				APPR: MVANSLAMBROU				2012/02/23			
DRAFT WHERE APPLICABLE MUST REMAIN WITHIN DIMENSIONS				THIRD ANGLE PROJECTION		DRAWING		SERIES		DOCUMENT NUMBER	
						D-SIZE		34899		SD-34899-2001	
								MATERIAL NUMBER		DOC TYPE DOC PART REVISION	
								SEE BOM		PSD 001 B	
								CUSTOMER		SHEET NUMBER	
								GENERAL MARKET		4 OF 11	

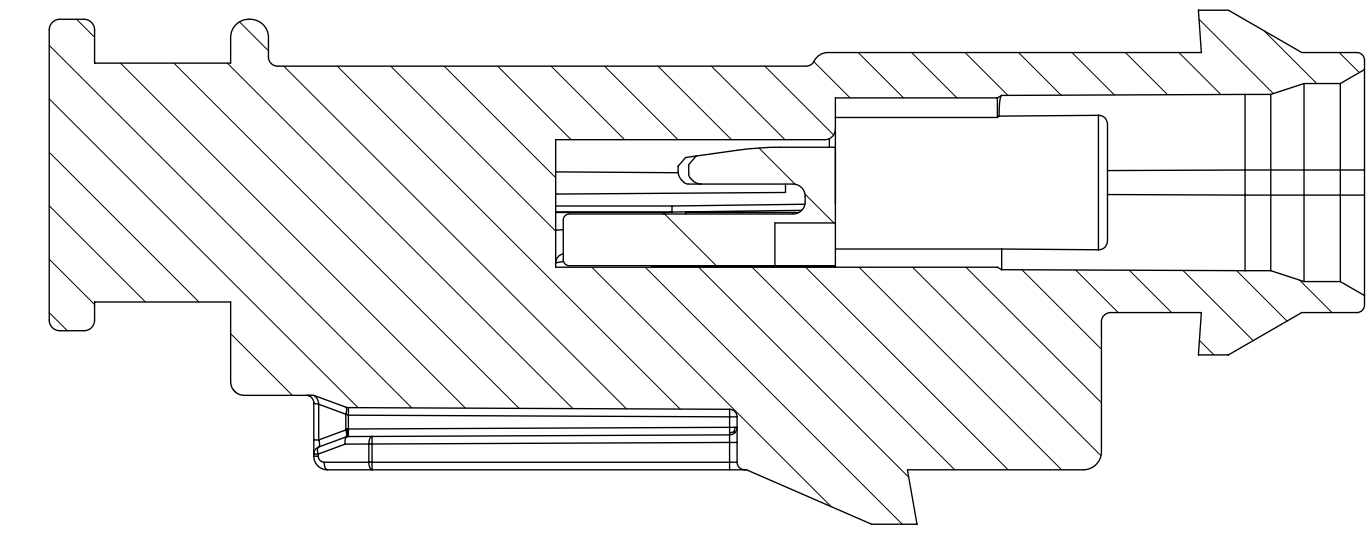
BLADE SEALED ASSEMBLY



SECOND SHARKFIN ONLY PRESENT ON 1X2 PNs



PRIMARY LOCK REINFORCEMENT (PLR) SHOWN IN THE PRE-STAGED POSITION
SECTION W-W



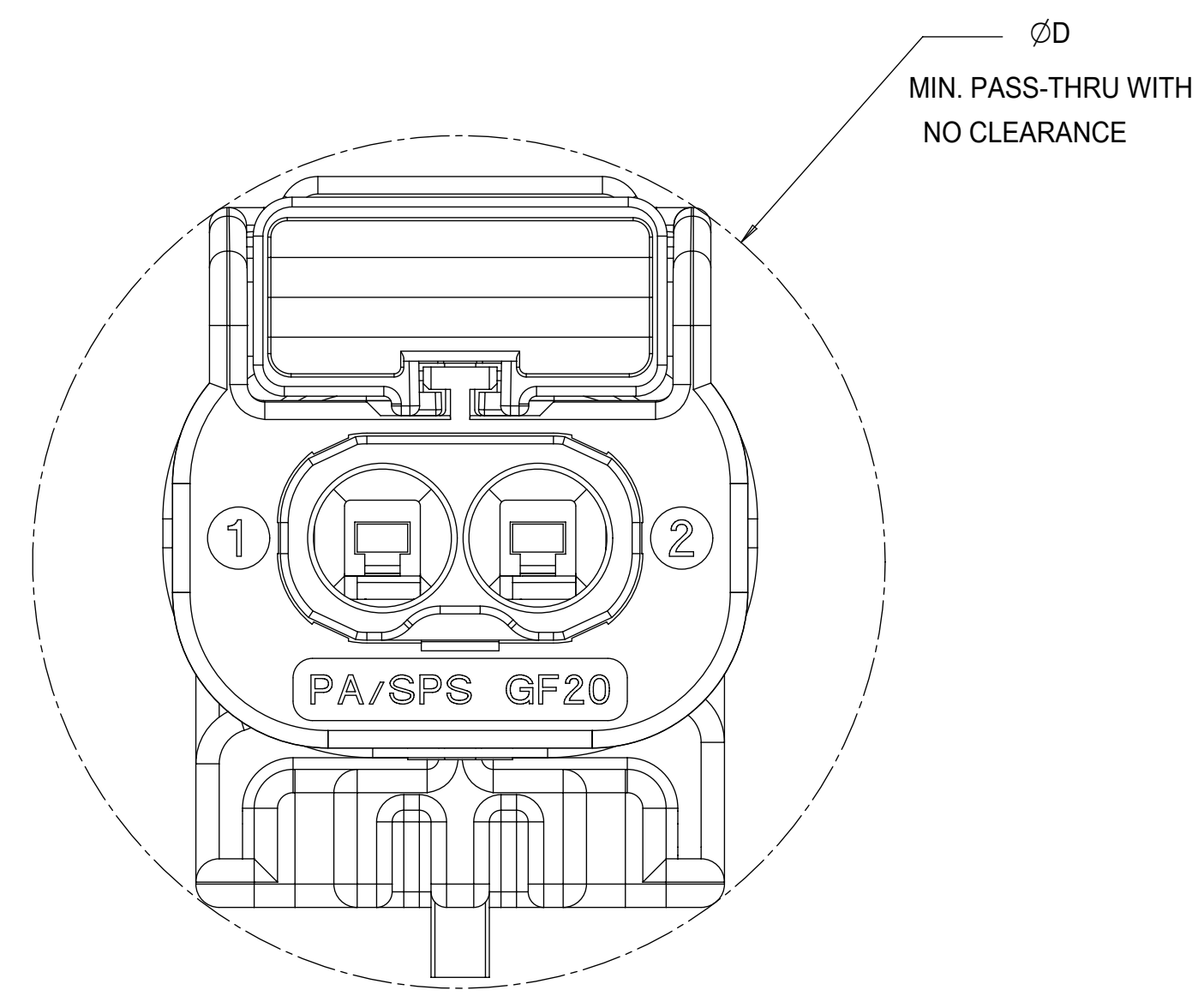
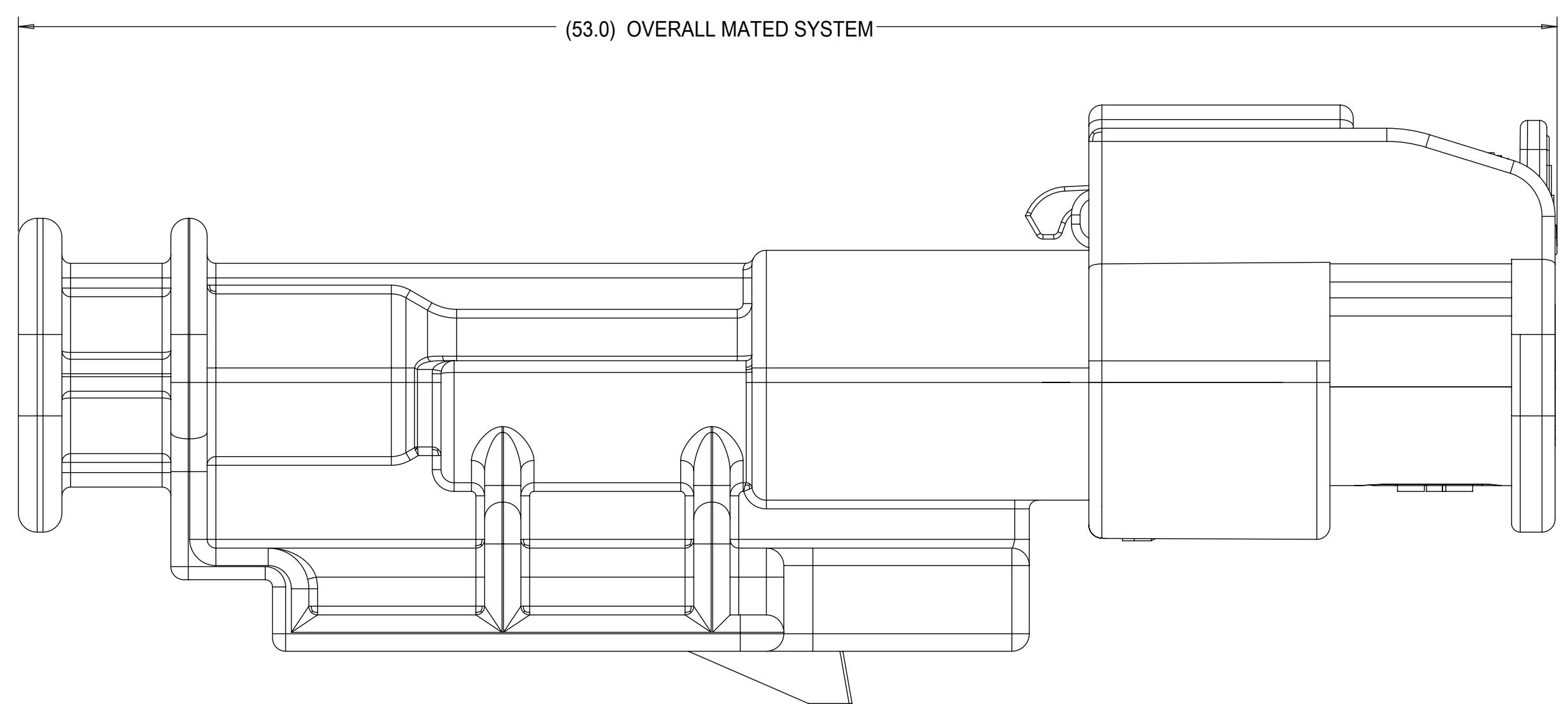
PRIMARY LOCK REINFORCEMENT (PLR) SHOWN IN THE FINAL-LOCK POSITION
SECTION X-X

1x3 BLADE SEALED ASSEMBLY, 40G CLIP SLOT	19	16.75	21.75
1x3 BLADE SEALED ASSEMBLY, 11mm CLIP SLOT	19	14.6	20.75
1x3 BLADE SEALED ASSEMBLY, 7mm CLIP SLOT	19	17	20.5
1x2 BLADE SEALED ASSEMBLY, 40G CLIP SLOT	15	16.75	20.25
1x2 BLADE SEALED ASSEMBLY, 11mm CLIP SLOT	15	15.5	19
1x2 BLADE SEALED ASSEMBLY, 7mm CLIP SLOT	15	17	18.75
CONFIGURATION	A	B	C
CHARTED DIMENSIONS			

THIS DRAWING CONTAINS INFORMATION THAT IS PROPRIETARY TO MOLEX ELECTRONIC TECHNOLOGIES, LLC AND SHOULD NOT BE USED WITHOUT WRITTEN PERMISSION

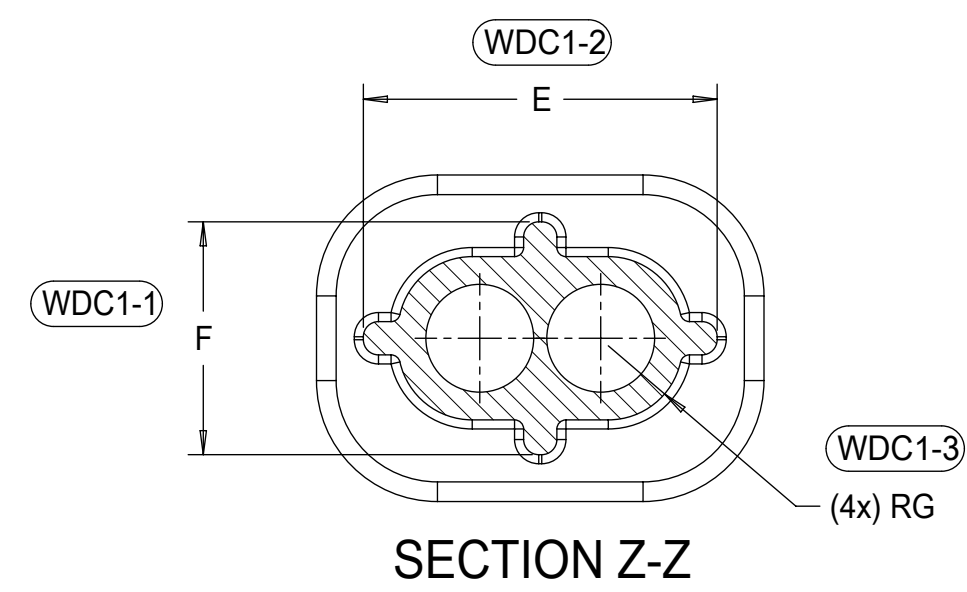
DIMENSION UNITS	SCALE	CURRENT REV DESC: OBSOLETE PART NUMBER		
mm	4:1	<p style="text-align: center;">molex</p> <p style="text-align: center;">1.2MM 1X2, 1X3 BLADE SEALED ASSEMBLY CABLE SEAL 639764 - REMOVED CPA3 AND REPLACED WITH CPA2 AGAIN 64</p> <p style="text-align: center;">PRODUCT CUSTOMER DRAWING</p>		
GENERAL TOLERANCES (UNLESS SPECIFIED)				
ANGULAR TOL	± 3.0°			
4 PLACES	±			
3 PLACES	±			
2 PLACES	± 0.1			
1 PLACE	± 0.2	EC NO: 649191	DRWN: AKUMAR19	2020/10/16
0 PLACES	± 0.5	CHK'D: GGA	2020/11/30	
DRAFT WHERE APPLICABLE MUST REMAIN WITHIN DIMENSIONS		APPR: GGA	2020/11/30	
THIRD ANGLE PROJECTION		INITIAL REVISION:		
D-DRAWING		DRWN: MVANSLAMBROU	2012/02/15	
SERIES		APPR: MVANSLAMBROU	2012/02/23	
MATERIAL NUMBER		DOCUMENT NUMBER		
D-SIZE		SD-34899-2001		
34899		DOC TYPE	DOC PART	REVISION
SEE BOM		PSD	001	B
GENERAL MARKET		SHEET NUMBER		
5 OF 11				

CONNECTION SYSTEM PACKAGING



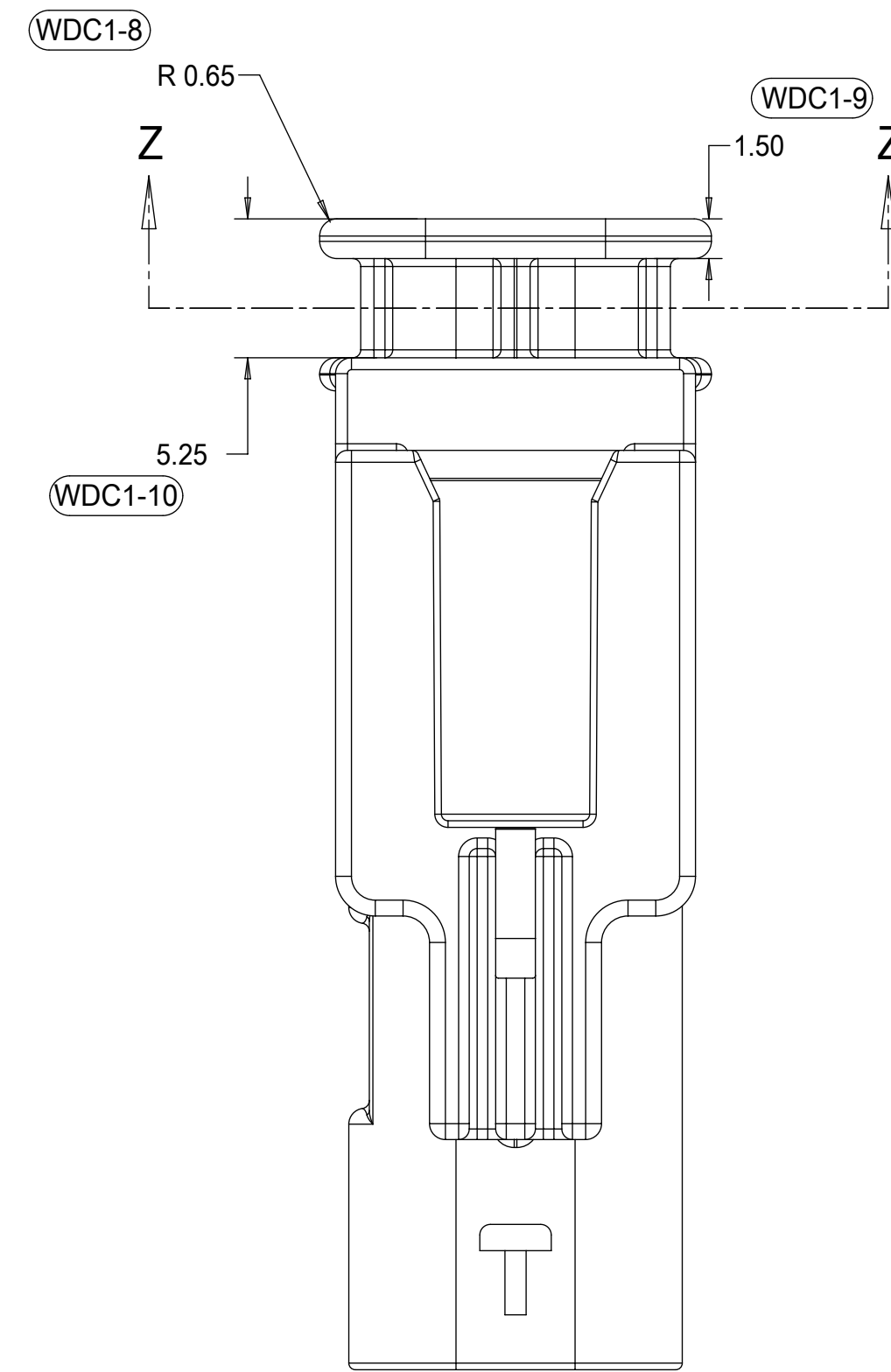
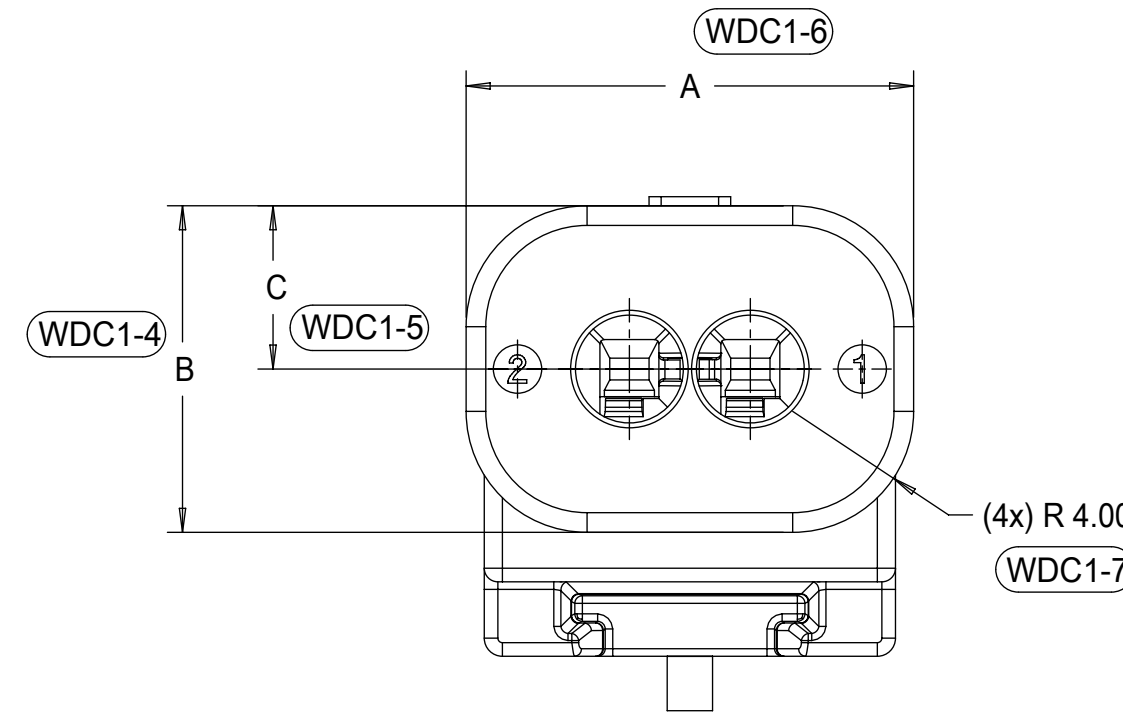
1x3 RECEPTACLE MATED TO 1x3 BLADE, 40 CLIP SLOT	TBD
1x3 RECEPTACLE MATED TO 1x3 BLADE, 11mm CLIP SLOT	24.0
1x3 RECEPTACLE MATED TO 1x3 BLADE, 7mm CLIP SLOT	23.0
1x2 RECEPTACLE MATED TO 1x2 BLADE, 40G CLIP SLOT	23.0
1x2 RECEPTACLE MATED TO 1x2 BLADE, 11mm CLIP SLOT	23.0
1x2 RECEPTACLE MATED TO 1x2 BLADE, 7mm CLIP SLOT	23.0
1.2mm CONNECTION SYSTEM CONFIGURATION	D
CHARTED DIMENSIONS	

THIS DRAWING CONTAINS INFORMATION THAT IS PROPRIETARY TO MOLEX ELECTRONIC TECHNOLOGIES, LLC AND SHOULD NOT BE USED WITHOUT WRITTEN PERMISSION											
DIMENSION UNITS		SCALE		CURRENT REV DESC: OBSOLETE PART NUMBER						molex	
mm		6:1									
GENERAL TOLERANCES (UNLESS SPECIFIED)				EC NO: 649191 DRWN: AKUMAR19 2020/10/16 CHK'D: GGA 2020/11/30 APPR: GGA 2020/11/30 INITIAL REVISION: DRWN: MVANSLAMBROU 2012/02/15 APPR: MVANSLAMBROU 2012/02/23							
ANGULAR TOL ± 3.0°											
4 PLACES ±											
3 PLACES ±											
2 PLACES ± 0.1											
1 PLACE ± 0.2				DOCUMENT NUMBER		DOC TYPE		DOC PART		REVISION	
0 PLACES ± 0.5				SD-34899-2001		PSD		001		B	
DRAFT WHERE APPLICABLE MUST REMAIN WITHIN DIMENSIONS				THIRD ANGLE PROJECTION		DRAWING		SERIES		MATERIAL NUMBER	
						D-SIZE		34899		SEE BOM	
						GENERAL MARKET				SHEET NUMBER	
										6 OF 11	

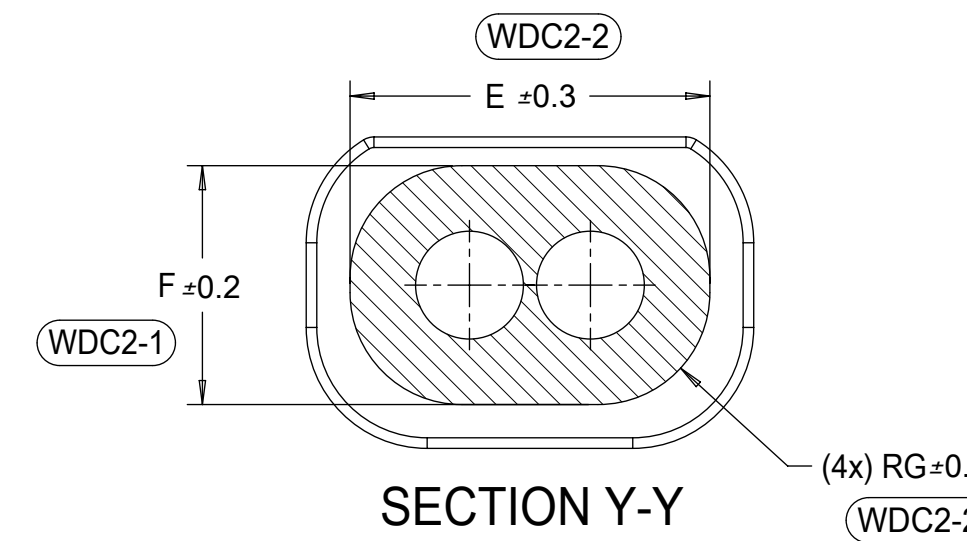


3 CIRCUIT	18.8	10.8	5.4	15.7	7.7	2.45
2 CIRCUIT	14.8	10.8	5.4	11.7	7.7	2.45
CONFIGURATION	A	B	C	E	F	G

CHARTED DIMENSIONS

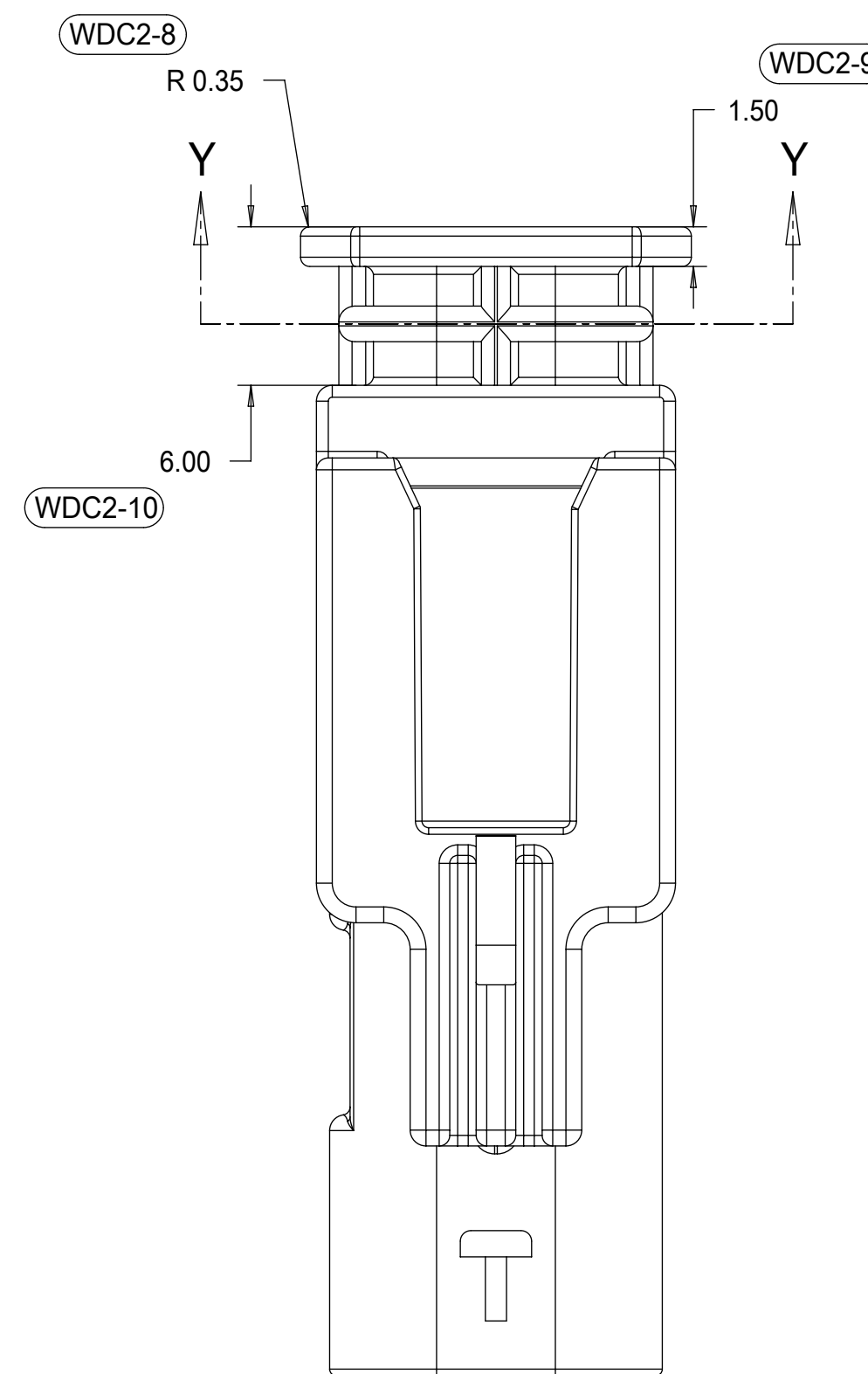
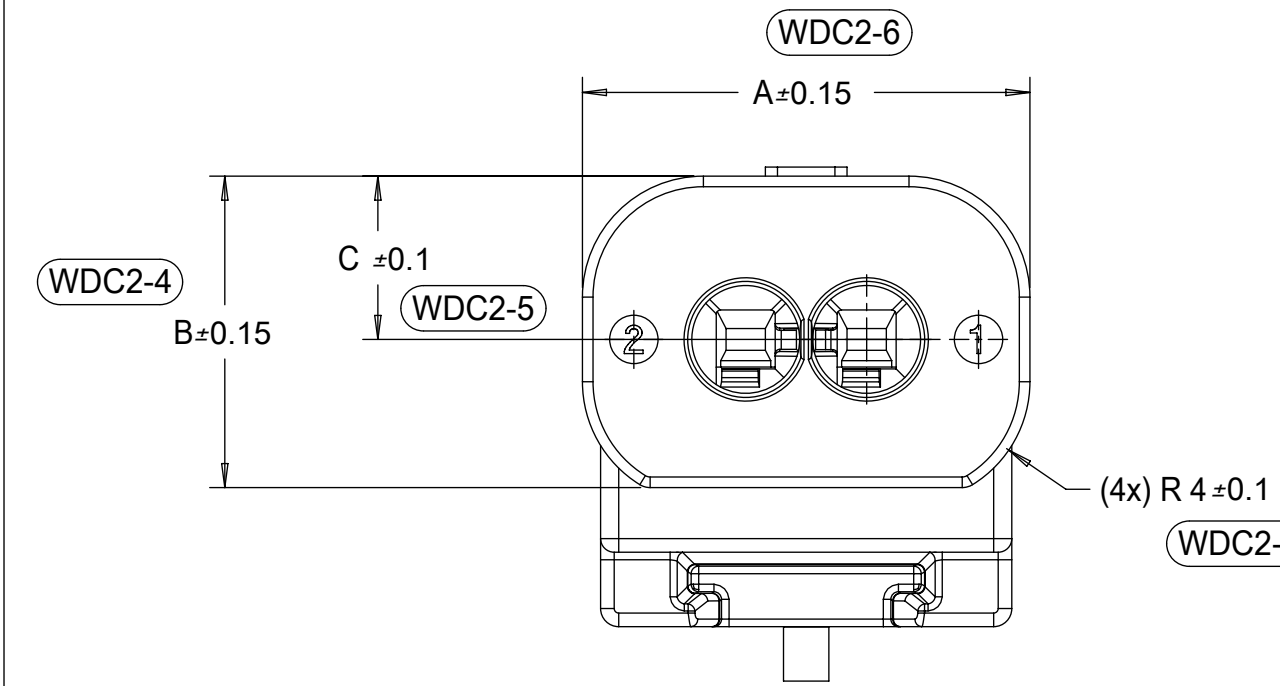


WIRE DRESS COVER
 INTERFACE OPTION 1
 WIRE DRESS COVERS
 NOT AVAILABLE



3 CIRCUIT	18.8	10.8	5.4	15.9	7.9	3.7
2 CIRCUIT	14.8	10.3	5.4	11.9	7.9	3.7
CONFIGURATION	A	B	C	E	F	G

CHARTED DIMENSIONS



WIRE DRESS COVER
 INTERFACE OPTION 2
 BASED ON HIRSCHMANN INTERFACE
 DRAWING 808-012-xxx REV B5

THIS DRAWING CONTAINS INFORMATION THAT IS PROPRIETARY TO MOLEX ELECTRONIC TECHNOLOGIES, LLC AND SHOULD NOT BE USED WITHOUT WRITTEN PERMISSION

DIMENSION UNITS	SCALE	CURRENT REV DESC: OBSOLETE PART NUMBER	
mm	4:1		
GENERAL TOLERANCES (UNLESS SPECIFIED)		EC NO: 649191	
ANGULAR TOL	± 3.0°	DRWN: AKUMAR19	2020/10/16
4 PLACES	±	CHK'D: GGA	2020/11/30
3 PLACES	±	APPR: GGA	2020/11/30
2 PLACES	± 0.1	INITIAL REVISION:	
1 PLACE	± 0.2	DRWN: MVANSLAMBROU	2012/02/15
0 PLACES	± 0.5	APPR: MVANSLAMBROU	2012/02/23
DRAFT WHERE APPLICABLE MUST REMAIN WITHIN DIMENSIONS	THIRD ANGLE PROJECTION	DRAWING	SERIES
		D-SIZE	34899

<p>molex</p> <p>1.2MM 1X2, 1X3 BLADE SEALED ASSEMBLY CABLE SEAL 639764 - REMOVED CPA3 AND REPLACED WITH CPA2 AGAIN 64</p> <p>PRODUCT CUSTOMER DRAWING</p>			
DOCUMENT NUMBER	DOC TYPE	DOC PART	REVISION
SD-34899-2001	PSD	001	B
MATERIAL NUMBER	CUSTOMER	SHEET NUMBER	
SEE BOM	GENERAL MARKET	7 OF 11	

1x2 BLADE SEALED ASSEMBLY BOM
 FOR WIRE DRESS COVER INTERFACE 1
 REFER WIRE DRESS COVER INTERFACE SHEET
 FOR DETAILS

KEYING OPTION E, 11mm CLIP SLOT, STONE GRAY	34899-2043	1																	E	CONCEPT	
KEYING OPTION C, 11mm CLIP SLOT, DARK GRAY	34899-2042	1																	C	CONCEPT	
KEYING OPTION B, 11mm CLIP SLOT, LIGHT GRAY	34899-2041	1																	B	CONCEPT	
KEYING OPTION A, 11mm CLIP SLOT, BLACK	34899-2040	1																	A	CONCEPT	
KEYING OPTION E, 11mm CLIP SLOT, YELLOW	34899-2033	1																	E	CONCEPT	
KEYING OPTION C, 11mm CLIP SLOT, YELLOW	34899-2032	1																	C	CONCEPT	
KEYING OPTION B, 11mm CLIP SLOT, YELLOW	34899-2031	1																	B	CONCEPT	
KEYING OPTION A, 11mm CLIP SLOT, YELLOW	34899-2030	1																	A	CONCEPT	
KEYING OPTION E, 7mm CLIP SLOT, STONE GRAY	34899-2023	1																	E	OBSOLETE	
KEYING OPTION C, 7mm CLIP SLOT, DARK GRAY	34899-2022	1																	C	OBSOLETE	
KEYING OPTION B, 7mm CLIP SLOT, LIGHT GRAY	34899-2021	1																	B	OBSOLETE	
KEYING OPTION A, 7mm CLIP SLOT, BLACK	34899-2020	1																	A	OBSOLETE	
KEYING OPTION E, 7mm CLIP SLOT, YELLOW	34899-2013	1																	E	TOOLED BUT NOT VALIDATED	
KEYING OPTION C, 7mm CLIP SLOT, YELLOW	34899-2012	1																	C	SALEABLE	
KEYING OPTION B, 7mm CLIP SLOT, YELLOW	34899-2011	1																	B	OBSOLETE	
KEYING OPTION A, 7mm CLIP SLOT, YELLOW	34899-2010	1																	A	SALEABLE	
ASSEMBLY DESCRIPTION	ASSEMBLY PART NUMBER	WIRE DRESS COVER INTERFACE OPTION																		PRODUCTION TOOL STATUS	COMMENTS

PLR	NATURAL	SPS/NYLON GF20
1x2 CONNECTOR HOUSING, KEYING OPTION E 11mm CLIP SLOT	STONE GRAY	SPS/NYLON GF20
1x2 CONNECTOR HOUSING, KEYING OPTION C 11mm CLIP SLOT	DARK GRAY	SPS/NYLON GF20
1x2 CONNECTOR HOUSING, KEYING OPTION B 11mm CLIP SLOT	LIGHT GRAY	SPS/NYLON GF20
1x2 CONNECTOR HOUSING, KEYING OPTION A 11mm CLIP SLOT	BLACK	SPS/NYLON GF20
1x2 CONNECTOR HOUSING, KEYING OPTION E 11mm CLIP SLOT	YELLOW	SPS/NYLON GF20
1x2 CONNECTOR HOUSING, KEYING OPTION C 11mm CLIP SLOT	YELLOW	SPS/NYLON GF20
1x2 CONNECTOR HOUSING, KEYING OPTION B 11mm CLIP SLOT	YELLOW	SPS/NYLON GF20
1x2 CONNECTOR HOUSING, KEYING OPTION A 11mm CLIP SLOT	YELLOW	SPS/NYLON GF20
1x2 CONNECTOR HOUSING, KEYING OPTION E 7mm CLIP SLOT	STONE GRAY	SPS/NYLON GF20
1x2 CONNECTOR HOUSING, KEYING OPTION C 7mm CLIP SLOT	DARK GRAY	SPS/NYLON GF20
1x2 CONNECTOR HOUSING, KEYING OPTION B 7mm CLIP SLOT	LIGHT GRAY	SPS/NYLON GF20
1x2 CONNECTOR HOUSING, KEYING OPTION A 7mm CLIP SLOT	BLACK	SPS/NYLON GF20
1x2 CONNECTOR HOUSING, KEYING OPTION E 7mm CLIP SLOT	YELLOW	SPS/NYLON GF20
1x2 CONNECTOR HOUSING, KEYING OPTION C 7mm CLIP SLOT	YELLOW	SPS/NYLON GF20
1x2 CONNECTOR HOUSING, KEYING OPTION B 7mm CLIP SLOT	YELLOW	SPS/NYLON GF20
1x2 CONNECTOR HOUSING, KEYING OPTION A 7mm CLIP SLOT	YELLOW	SPS/NYLON GF20

DESCRIPTION	COLOR	MATERIAL
BOM/APPLICABLE COMPONENTS TABLE		

ABBREVIATION	COMPONENT
A	CONNECTOR HOUSING KEYING OPTION A
B	CONNECTOR HOUSING KEYING OPTION B
C	CONNECTOR HOUSING KEYING OPTION C
E	CONNECTOR HOUSING KEYING OPTION E

THIS DRAWING CONTAINS INFORMATION THAT IS PROPRIETARY TO MOLEX ELECTRONIC TECHNOLOGIES, LLC AND SHOULD NOT BE USED WITHOUT WRITTEN PERMISSION				
DIMENSION UNITS	SCALE	CURRENT REV DESC: OBSOLETE PART NUMBER		
mm	2:1			
GENERAL TOLERANCES (UNLESS SPECIFIED)				
ANGULAR TOL	± 3.0°			
4 PLACES	±			
3 PLACES	±			
2 PLACES	± 0.1			
1 PLACE	± 0.2			
0 PLACES	± 0.5			
DRAFT WHERE APPLICABLE MUST REMAIN WITHIN DIMENSIONS		THIRD ANGLE PROJECTION	DRAWING	SERIES
			D-SIZE	34899
		INITIAL REVISION: DRWN: MVANSLAMBROU 2012/02/15 APPR: MVANSLAMBROU 2012/02/23		
		EC NO: 649191 DRWN: AKUMAR19 2020/10/16 CHK'D: GGA 2020/11/30 APPR: GGA 2020/11/30		
		1.2MM 1X2, 1X3 BLADE SEALED ASSEMBLY CABLE SEAL 639764 - REMOVED CPA3 AND REPLACED WITH CPA2 AGAIN 64		
		PRODUCT CUSTOMER DRAWING		
		DOCUMENT NUMBER	DOC TYPE	DOC PART
		SD-34899-2001	PSD	001
		CUSTOMER	REVISION	
		SEE BOM	B	
		GENERAL MARKET	SHEET NUMBER	
		8 OF 11		

TABLE OF CONTENTS

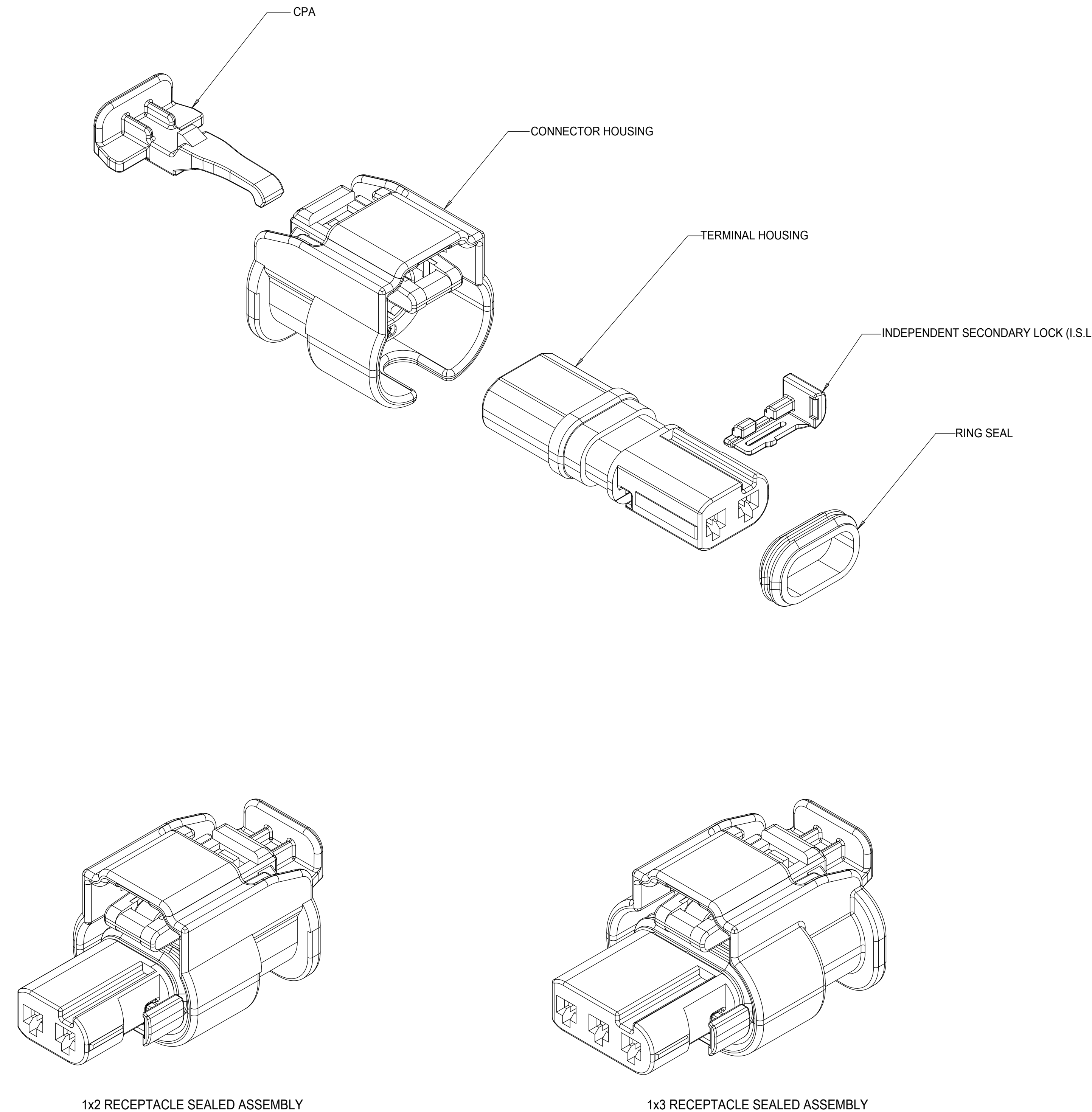
SHEET NO.	SHEET DESCRIPTION
1	NOTES
2	1x2 RECEPTACLE SEALED ASSEMBLY KEYING CONFIGURATIONS
3	1x3 RECEPTACLE SEALED ASSEMBLY KEYING CONFIGURATIONS
4	RECEPTACLE SEALED ASSEMBLY
5	1x2 RECEPTACLE SEALED ASSEMBLY BOM SHEET 1
6	1x3 RECEPTACLE SEALED ASSEMBLY BOM SHEET 1
7	OBSOLETE PART NUMBERS

NOTES: VALID UNLESS OTHERWISE SPECIFIED

1. GENERAL:
 - a. APPLICATION SPECIFICATION SEE: AS-34900-0001
CONTAINS: PRODUCT INTRODUCTION, PRODUCT SUMMARY, CONNECTOR ASSEMBLY, PACKAGING INFORMATION, CONNECTOR MATING, SERVICE INSTRUCTIONS, ELECTRICAL CONTINUITY CHECKING, CRIMPING, AND TROUBLESHOOTING.
 - b. PRODUCT SPECIFICATION SEE: PS-34900-0001
CONTAINS: PRODUCT INTRODUCTION, PRODUCT SUMMARY, RATINGS (CURRENT, TEMPERATURE, SEALING, AND FLAMMABILITY), AND PRODUCT VALIDATION.
 - c. PACKAGING SPECIFICATION PER MOLEX DRAWING: PK-31301-898
 - d. PARTS MUST BE IN COMPLIANCE TO MOLEX CHEMICAL SUBSTANCES FOR PRODUCTS AND PACKAGING SPECIFICATION: ES-40000-5016
 - e. DATA MUST BE SUBMITTED UNDER THE MOLEX PART NUMBER TO IMDS (COMPANY ID#13255)
 - f. DESIGNED TO MATE WITH DEVICE CONNECTION AS SPECIFIED IN BOM CHART
USCAR DRAWINGS AND MODELS ARE AVAILABLE AT <http://ewcap.uscarteams.org/>.

2. DESIGN - MATERIALS:
 - a. SEE BOM TABLE

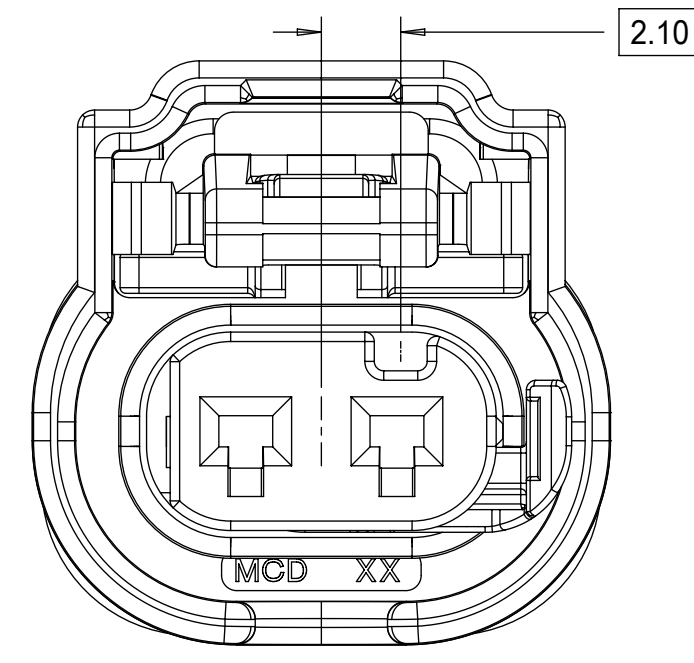
3. DESIGN - GEOMETRY:
 - a. THIS IS A 100% CAD GENERATED PART. THE CAD MATHEMATICAL DATA IS THE MASTER FOR THIS PART. FOR DIMENSIONAL OR ANY INFORMATION NOT SHOWN ON THIS DRAWING, ANALYZE THE CAD MODEL.
 - b. GEOMETRIC DIMENSIONS AND TOLERANCES PER ASME Y14.5M - 1994
 - c. EDGES AND UNDIMENSIONED DETAILS PER ISO13715
 - d. CORNERS SHOWN AS SHARP TO BE R 0.2 MAX.
 - e. LETTERING SHALL BE 0.15 MAX RAISED IN 0.25 MAX RECESS PAD.
THIS INCLUDES RECYCLING CODE, CAVITY ID, VENDOR IDENTIFICATION, AND CUSTOMER MATERIAL NUMBER.
 - f. VISUAL DEFECTS SHALL MEET COSMETIC STANDARD PS-45499-002 (Class B)
 - g. LASER MARKING:
 1. PART NUMBER
 2. DAY OF THE YEAR
 3. SHIFT
 4. YEAR



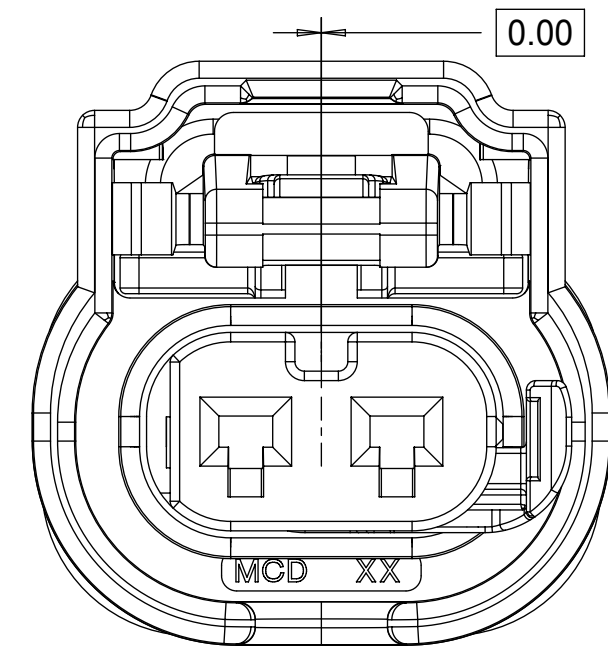
C8	UPDATED INTERFACE MODEL REFERENCES
C7	RETURNED CPA3 TO CPA2
C6	CHANGED 1X2 KEY E STATUS
C5	CHANGED CPA2 TO CPA3
C4	ADDED WIRE DRESS COVERS
C3	ADDED CPA2 PNs
C2	UPDATED STATUS OF PNs
C1	- NX-REMASTERING FROM MODEL MANAGER - 1X2 KEY C MADE SALEABLE
C	34900-3127 RELEASED AS SALEABLE
B	PRIMARY KEYS (A,B) MOVED TO SALEABLE
A10	ADDED 1X3 SEVERE VIBRATION PART NUMBER
A9	1X2 AND 1X3 PART # UPDATED DIMENSION 2 UPDATED
A8	1X2 PART # UPDATED TO "TOOLED BUT NOT VALIDATED"
A7	1X2 PART # UPDATED TO "TOOLED BUT NOT VALIDATED"
A6	ADDED NEW PART NUMBERS FOR LATCH IMPROVEMENT
A5	BOM CORRECTIONS AND UPDATES
A4	BOM CORRECTIONS AND UPDATES
A3	1x2, 1x3 NON-SIR OK TO TOOL
A2	MINOR BOM CORRECTIONS
A1	ADDED COMPONENTS TO BOM
A	ADDED BLACK PART NUMBERS AND MINOR BOM UPDATES
3	ADDED 1x3
2	MINOR BOM CORRECTIONS
1	INITIAL RELEASE
REV	DESCRIPTION

QUALITY SYMBOLS □ = 0 ▽ = 0 ▽ = 0 ▽ = 0 ▽ = 0 ▽ = 0 ▽ = 0 ▽ = 0 ▽ = 0 ▽ = 0	THIS DRAWING CONTAINS INFORMATION THAT IS PROPRIETARY TO MOLEX ELECTRONIC TECHNOLOGIES, LLC AND SHOULD NOT BE USED WITHOUT WRITTEN PERMISSION			
	EC NO: 645203 DRWN: GELLIOTTO1 CHKD: MVANSLAMBROU REV: APPR: MVANSLAMBROU	2020/09/11 2020/09/15 2020/09/15	GENERAL TOLERANCES (UNLESS SPECIFIED) ANGULAR TOL ± ° 4 PLACES ± 3 PLACES ± 2 PLACES ± 0.1 1 PLACE ± 0.2 0 PLACES ± 0.5 DRAFT WHERE APPLICABLE MUST REMAIN WITHIN DIMENSIONS	DIMENSION UNITS: mm SCALE: 4:1 DRWN BY: MVANSLAMBROU DATE: 2012/02/15 CHKD BY: GGA DATE: 2013/11/06 APPR BY: GGA DATE: 2012/12/13 DRAWING SIZE: D THIRD ANGLE PROJECTION
	molex® 1.2MM 1X2, 1X3 RECPT. SEALED ASSEMBLY CABLE SEAL 621905: ADDED CPA2 PNs, RE-ADDED PNs USING TERMINAL H		PRODUCT CUSTOMER DRAWING SERIES: 34900 MATERIAL NUMBER: SEE TABLE CUSTOMER: GENERAL MARKET	
	RELEASE STATUS: P1 RELEASE DATE: 2020/09/15 14:05:25		DOCUMENT NUMBER: SD-34900-2001 DOC TYPE: PSD DOC PART: 001 SHEET NUMBER: 1 OF 7	

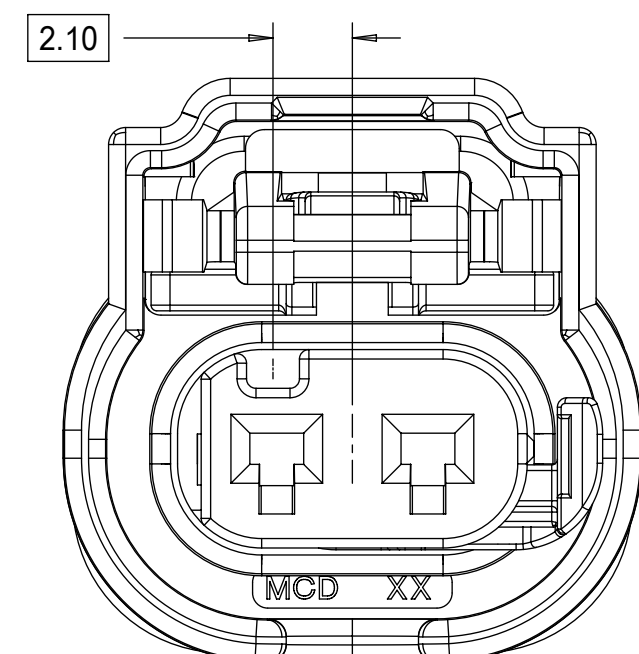
1x2 RECEPTACLE SEALED ASSEMBLY KEYING CONFIGURATIONS. FOR PART NUMBERS REFER TO BOM SHEET.



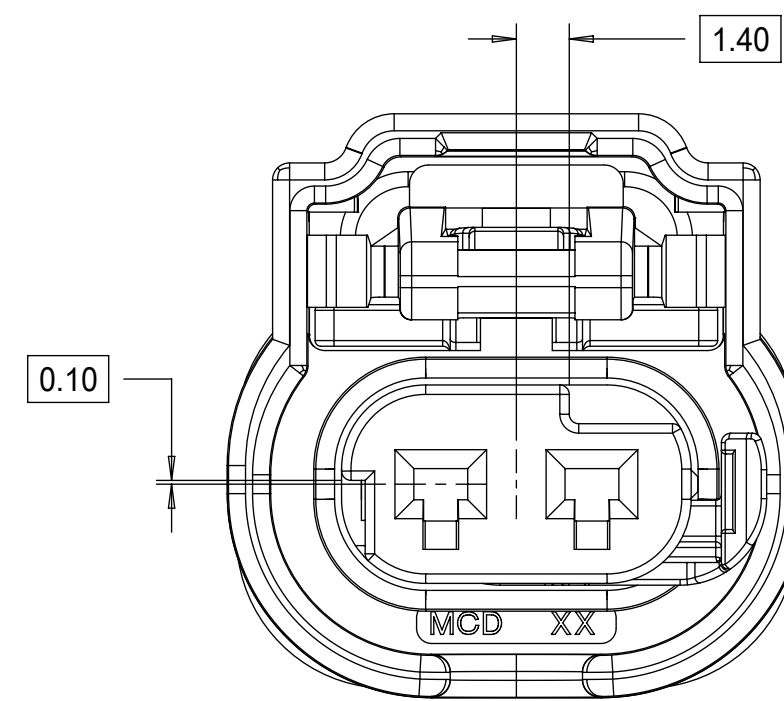
KEYING OPTION A





KEYING OPTION B



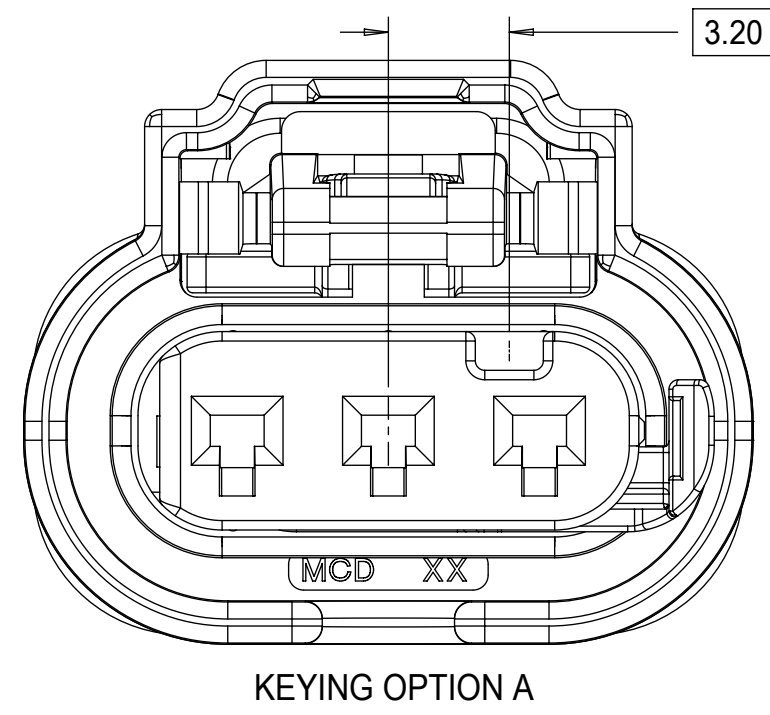
KEYING OPTION C



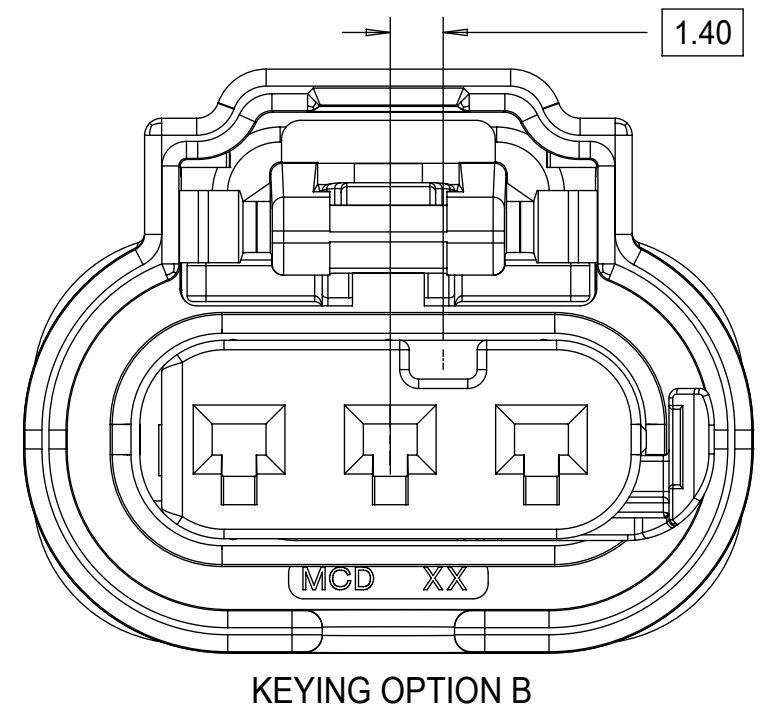
KEYING OPTION E

THIS DRAWING CONTAINS INFORMATION THAT IS PROPRIETARY TO MOLEX ELECTRONIC TECHNOLOGIES, LLC AND SHOULD NOT BE USED WITHOUT WRITTEN PERMISSION										
QUALITY SYMBOLS □ = 0 ▽ = 0 ▽ = 0 ▽ = 0 ▽ = 0 ▽ = 0 ▽ = 0 ▽ = 0 ▽ = 0 ▽ = 0	2020/09/11	GENERAL TOLERANCES (UNLESS SPECIFIED)		DIMENSION UNITS	SCALE	 1.2MM 1X2, 1X3 RECPT. SEALED ASSEMBLY CABLE SEAL 621905: ADDED CPA2 PNS, RE-ADDED PNS USING TERMINAL H				
	DRWN BY	ANGULAR TOL ± °		mm	5:1					
	2020/09/15	4 PLACES ±	DRWN BY	DATE	PRODUCT CUSTOMER DRAWING SERIES MATERIAL NUMBER CUSTOMER 34900 SEE BOM GENERAL MARKET					
	2020/09/15	3 PLACES ±	CHKD BY	DATE						
	2020/09/15	2 PLACES ± 0.1	APPR BY		DATE	DOCUMENT NUMBER DOC TYPE DOC PART SHEET NUMBER SD-34900-2001 PSD 001 2 OF 7				
	2020/09/15	1 PLACE ± 0.2	GGA		2012/12/13					
	2020/09/15	0 PLACES ± 0.5	DRAFT WHERE APPLICABLE MUST REMAIN WITHIN DIMENSIONS		DRAWING SIZE	THIRD ANGLE PROJECTION				
	2020/09/15	2020/09/15	2020/09/15	2020/09/15	D					
	2020/09/15	2020/09/15	2020/09/15	2020/09/15						
	2020/09/15	2020/09/15	2020/09/15	2020/09/15						
2020/09/15	2020/09/15	2020/09/15	2020/09/15							

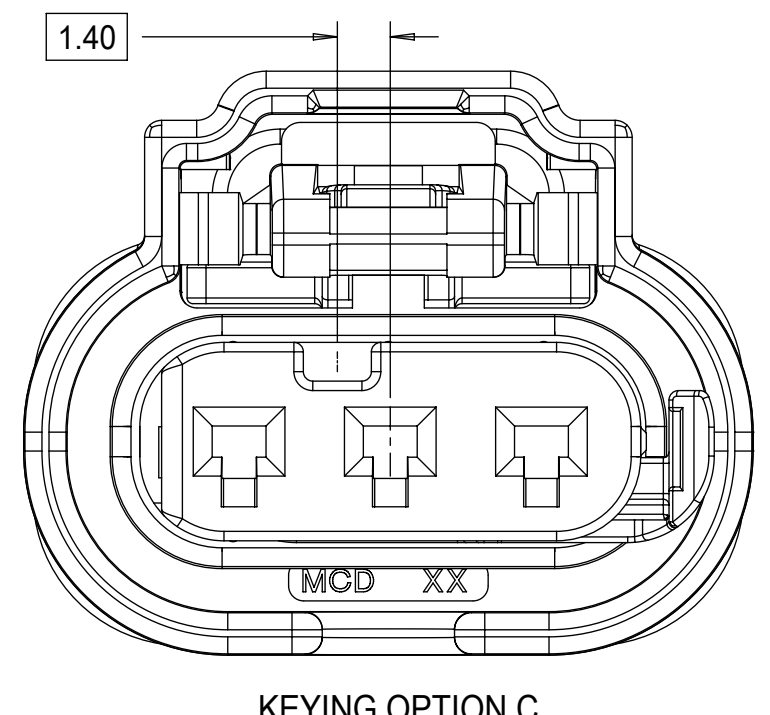
1x3 RECEPTACLE SEALED ASSEMBLY KEYING CONFIGURATIONS. FOR PART NUMBERS REFER TO BOM SHEET.



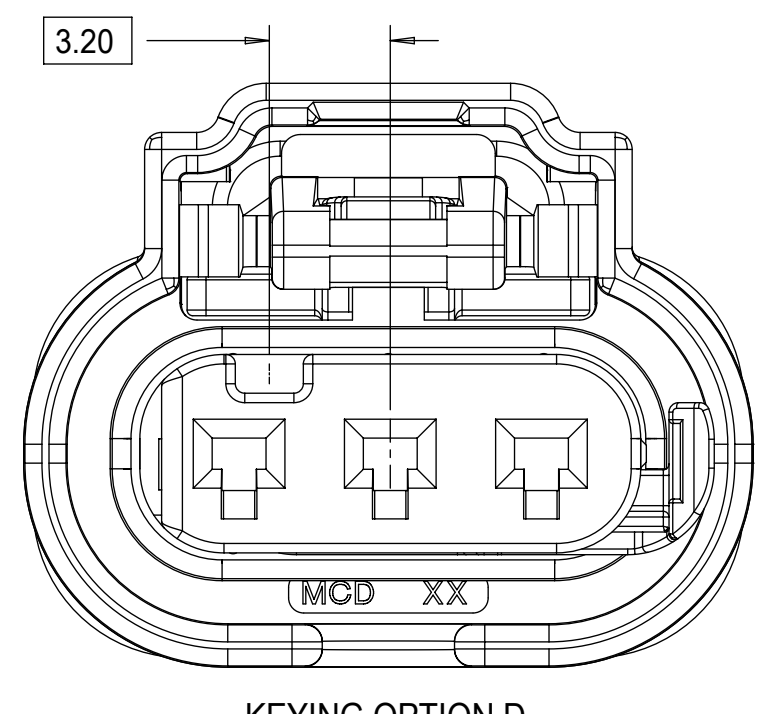
KEYING OPTION A



KEYING OPTION B

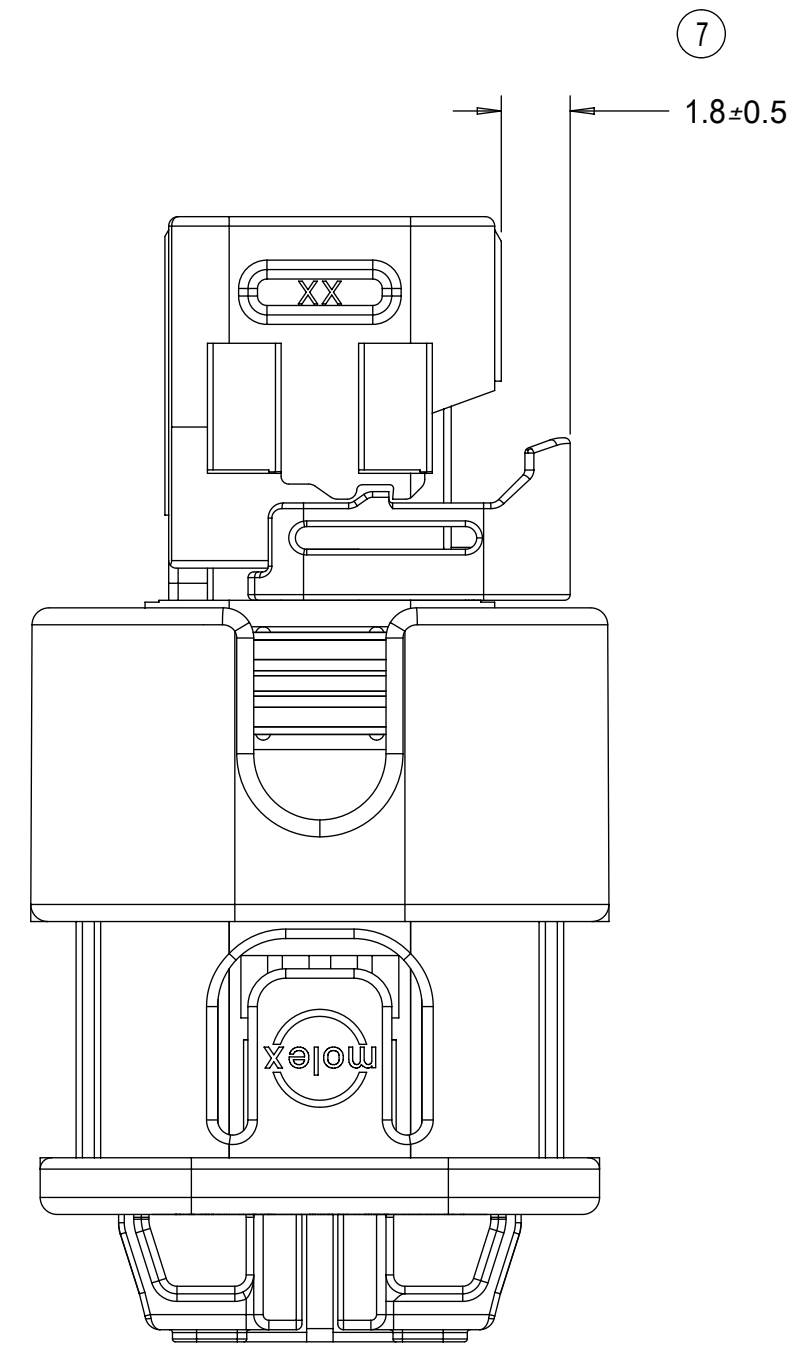
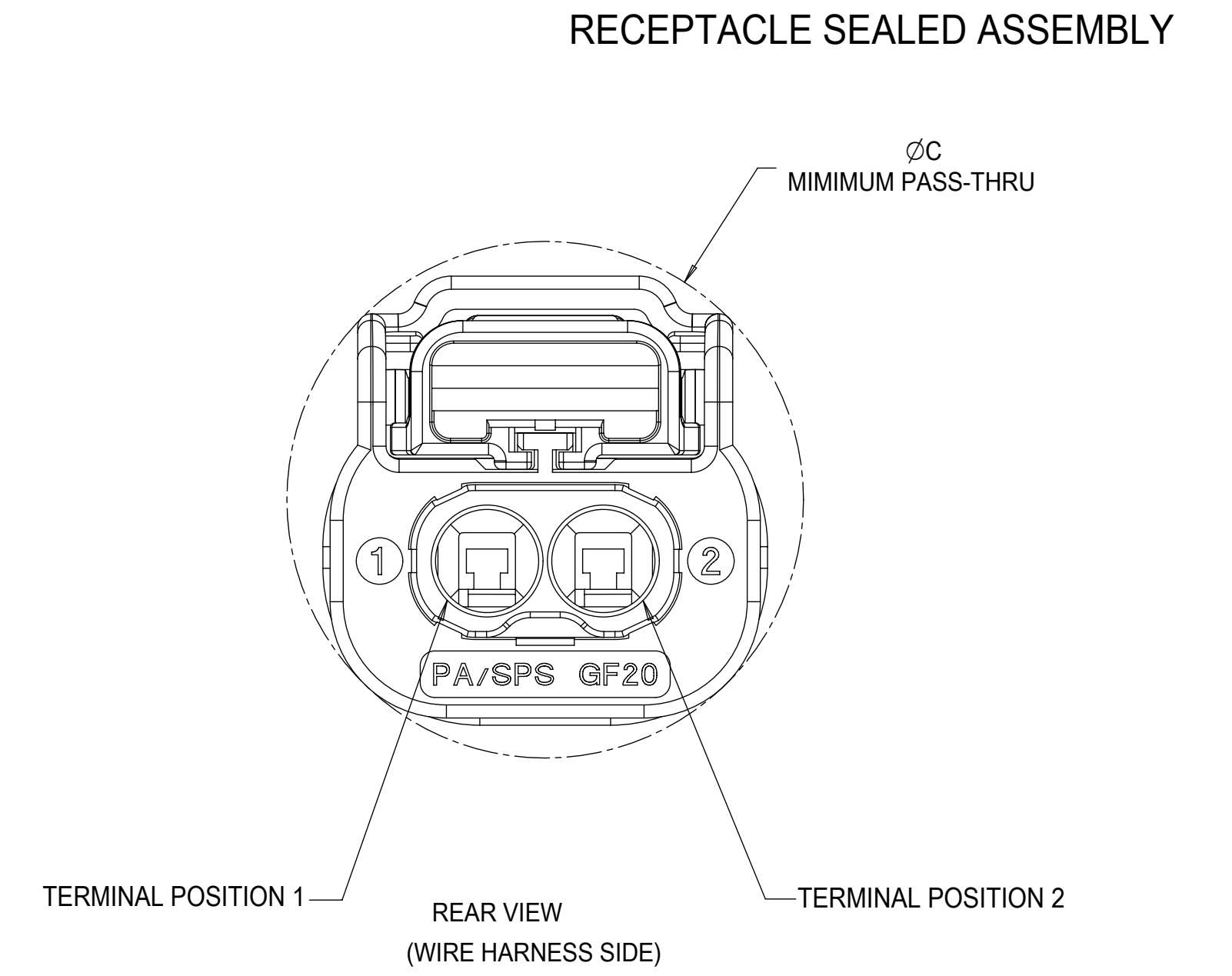
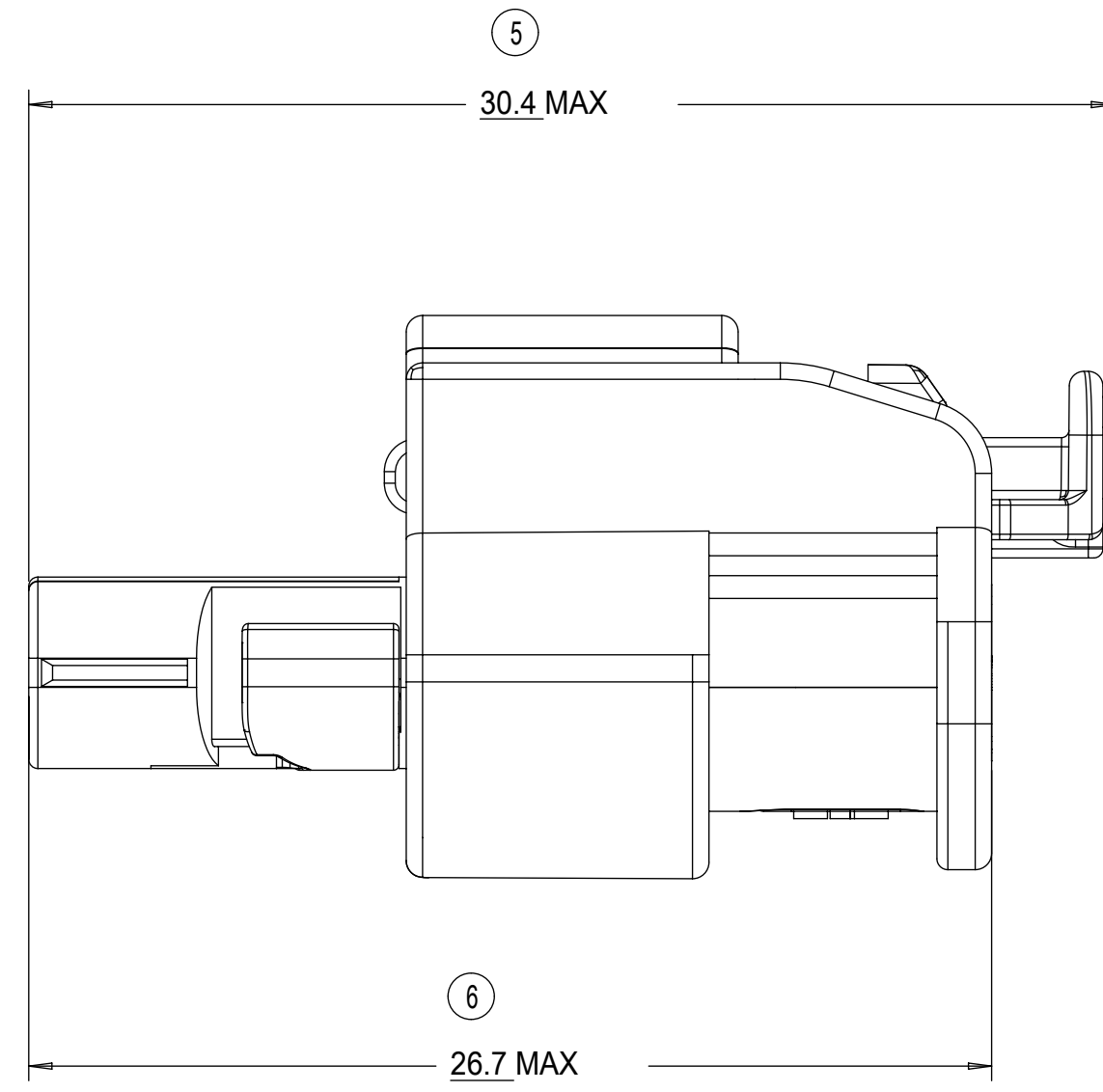
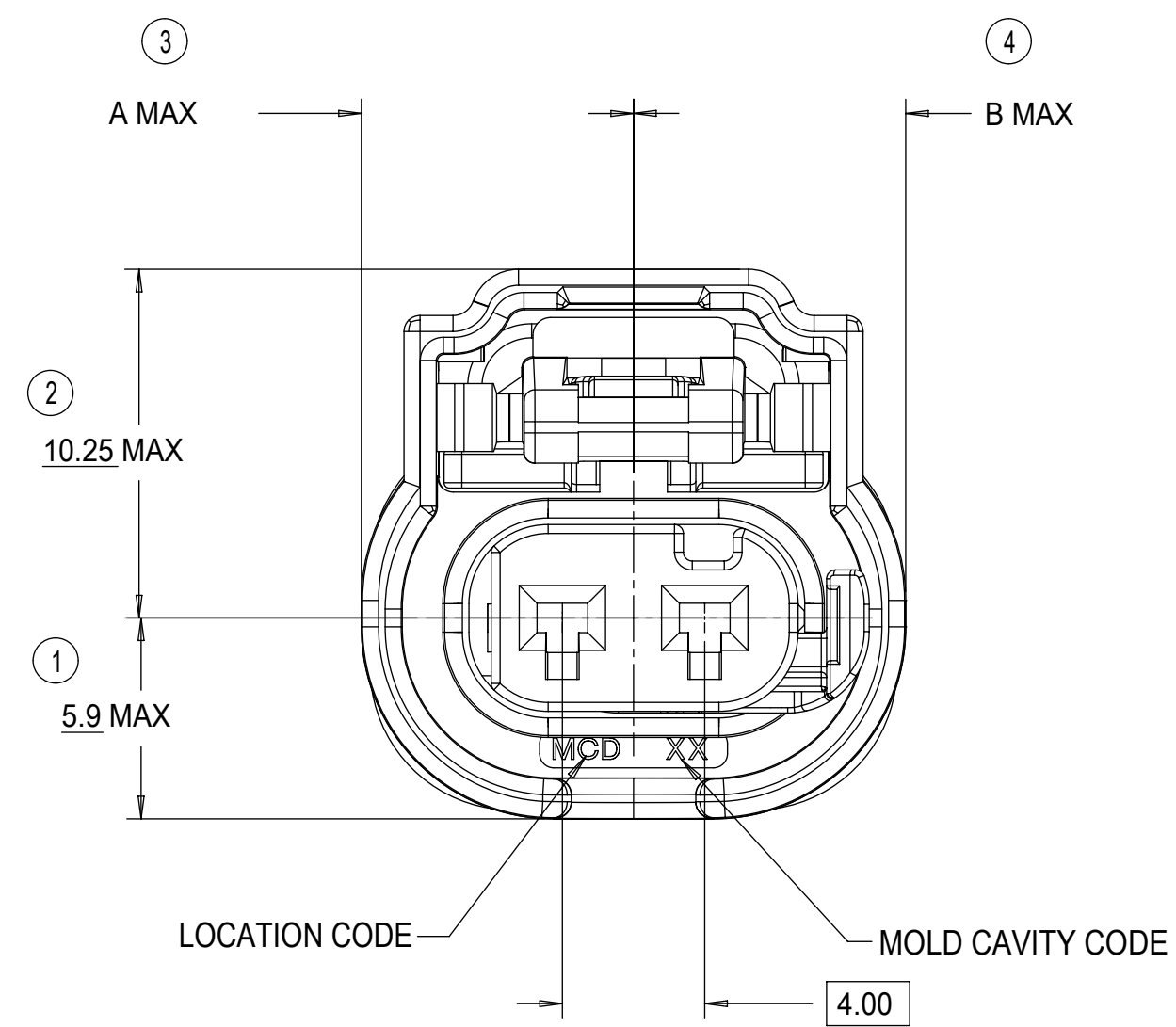
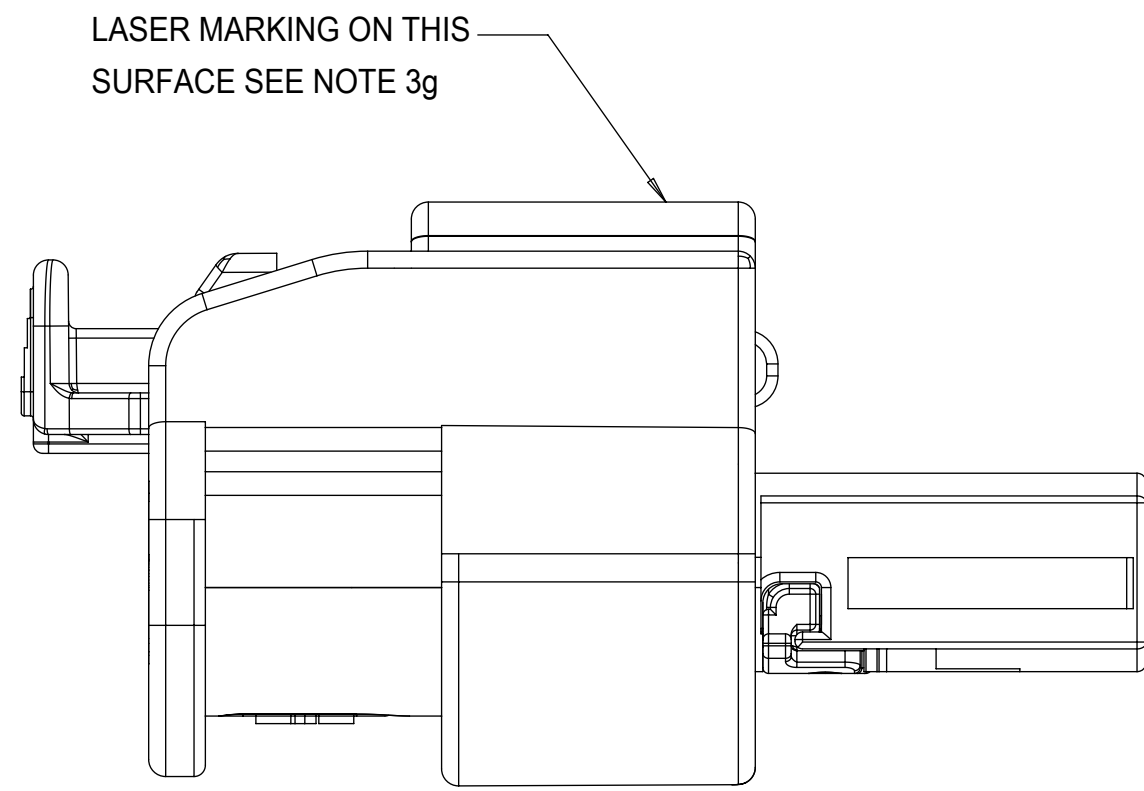


KEYING OPTION C

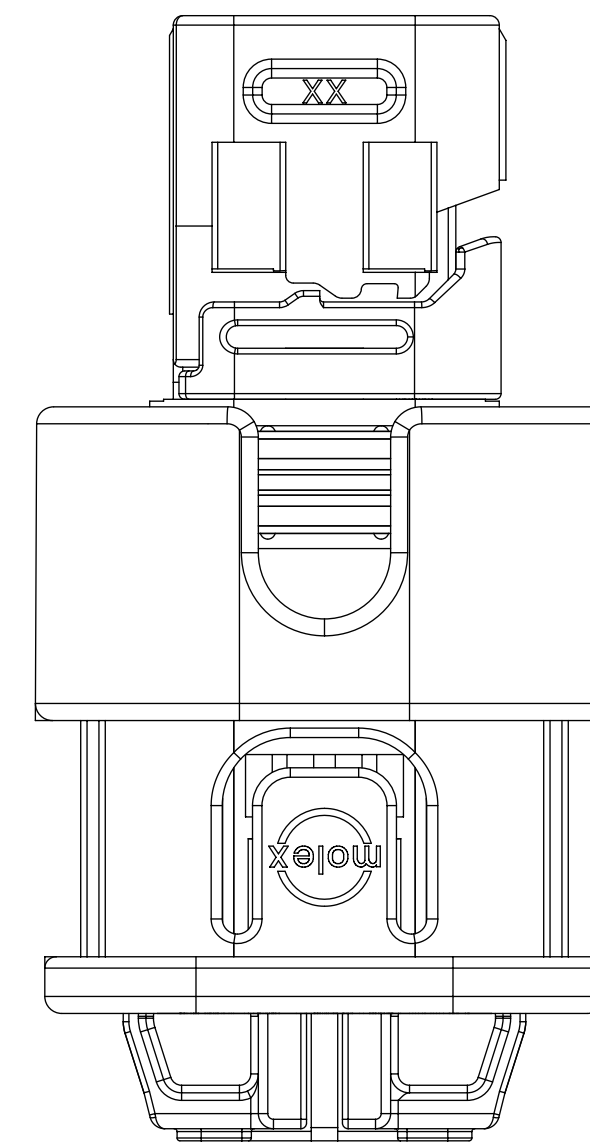


KEYING OPTION D

THIS DRAWING CONTAINS INFORMATION THAT IS PROPRIETARY TO MOLEX ELECTRONIC TECHNOLOGIES, LLC AND SHOULD NOT BE USED WITHOUT WRITTEN PERMISSION											
QUALITY SYMBOLS 	2020/09/11	GENERAL TOLERANCES (UNLESS SPECIFIED)		DIMENSION UNITS	SCALE						
	DRWN BY	ANGULAR TOL ± °		mm	5:1						
	2020/09/15	4 PLACES ±	DRWN BY	DATE	1.2MM 1X2, 1X3 RECPT. SEALED ASSEMBLY CABLE SEAL 621905: ADDED CPA2 PNS, RE-ADDED PNS USING TERMINAL H						
	CHKD: MVANSLAMBROU	3 PLACES ±	MVANSLAMBROU	2012/02/15							
	2020/09/15	2 PLACES ± 0.1	CHKD BY	DATE	PRODUCT CUSTOMER DRAWING						
	REV APPR: MVANSLAMBROU	1 PLACE ± 0.2		2013/11/06							
		0 PLACES ± 0.5	APPR BY	DATE	SERIES MATERIAL NUMBER CUSTOMER 34900 SEE BOM GENERAL MARKET						
		DRAFT WHERE APPLICABLE MUST REMAIN WITHIN DIMENSIONS	GGA	2012/12/13							
			DRAWING SIZE	THIRD ANGLE PROJECTION	DOCUMENT NUMBER DOC TYPE DOC PART SHEET NUMBER SD-34900-2001 PSD 001 3 OF 7						
			D								
				EC NO: 645203 DRWN: GELLIOTTO1 CHKD: MVANSLAMBROU REV APPR: MVANSLAMBROU							



INDEPENDENT SECONDARY LOCK (ISL)
SHOWN IN THE PRE-STAGED POSITION



INDEPENDENT SECONDARY LOCK (ISL)
SHOWN IN THE FINAL-LOCK POSITION

1x3 RECEPTACLE SEALED ASSEMBLY	10.0	10.0	20.75
1x2 RECEPTACLE SEALED ASSEMBLY	8.0	8.0	18.75
CONFIGURATION	A	B	C

CHARTED DIMENSIONS

QUALITY SYMBOLS 	THIS DRAWING CONTAINS INFORMATION THAT IS PROPRIETARY TO MOLEX ELECTRONIC TECHNOLOGIES, LLC AND SHOULD NOT BE USED WITHOUT WRITTEN PERMISSION			
	EC NO: 645203 DRWN: GELLIOTTO1 CHKD: MVANSLAMBROU REV: APPR: MVANSLAMBROU	2020/09/11 2020/09/15 2020/09/15	GENERAL TOLERANCES (UNLESS SPECIFIED) ANGULAR TOL ± ° 4 PLACES ± 3 PLACES ± 2 PLACES ± 0.1 1 PLACE ± 0.2 0 PLACES ± 0.5 DRAFT WHERE APPLICABLE MUST REMAIN WITHIN DIMENSIONS	DIMENSION UNITS: mm SCALE: 5:1 DRWN BY: MVANSLAMBROU DATE: 2012/02/15 CHKD BY: GGA DATE: 2013/11/06 APPR BY: GGA DATE: 2012/12/13 DRAWING SIZE: D THIRD ANGLE PROJECTION

1X2 RECEPTACLE SEALED ASSEMBLY BOM SHEET 1

ASSEMBLY DESCRIPTION	PART NUMBER	OPERATING TEMPERATURE	VIBRATION CLASS PER GMW3191 DEC. 2007	OUTER HOUSING SHROUD LENGTH	A	B	C	E	CPA1	CPA2	CPA3	STATUS	COMMENTS	DESIGNED TO MATE WITH DEVICE CONNECTION						
KEYING OPTION E, BLACK	34900-2223	-40 TO 155		4						CHB			E	CPA2	TOOLED BUT NOT VALIDATED	1	2	3		
KEYING OPTION C, BLACK	34900-2222	-40 TO 155		4						CHB			C	CPA2	TOOLED BUT NOT VALIDATED	1	2	3		
KEYING OPTION B, BLACK	34900-2221	-40 TO 155		4						CHB	B			CPA2	TOOLED BUT NOT VALIDATED	1	2	3		
KEYING OPTION A, BLACK	34900-2220	-40 TO 155		4						CHB	A			CPA2	TOOLED BUT NOT VALIDATED	1	2	3		
KEYING OPTION E, YELLOW	34900-2204	-40 TO 125		2						CHY				E	CPA2	TOOLED BUT NOT VALIDATED	1	2	3	
KEYING OPTION C, YELLOW	34900-2203	-40 TO 125		2						CHY				C	CPA2	TOOLED BUT NOT VALIDATED	1	2	3	
KEYING OPTION B, YELLOW	34900-2202	-40 TO 125		2						CHY		B			CPA2	TOOLED BUT NOT VALIDATED	1	2	3	
KEYING OPTION A, YELLOW	34900-2201	-40 TO 125		2						CHY		A			CPA2	TOOLED BUT NOT VALIDATED	1	2	3	
KEYING OPTION E, BLACK	34900-2123	-40 TO 155		4						CHB				E	CPA1	NOT RECOMMENDED	ALT. KEY SUGGESTED	1	2	3
KEYING OPTION C, BLACK	34900-2122	-40 TO 155		4						CHB				C	CPA1	SALEABLE		1	2	3
KEYING OPTION B, BLACK	34900-2121	-40 TO 155		4						CHB		B			CPA1	SALEABLE		1	2	3
KEYING OPTION A, BLACK	34900-2120	-40 TO 155		4						CHB		A			CPA1	SALEABLE		1	2	3
KEYING OPTION E, YELLOW	34900-2104	-40 TO 125		2						CHY				E	CPA1	NOT RECOMMENDED	ALT. KEY SUGGESTED	1	2	3
KEYING OPTION C, YELLOW	34900-2103	-40 TO 125		2						CHY				C	CPA1	SALEABLE		1	2	3
KEYING OPTION B, YELLOW	34900-2102	-40 TO 125		2						CHY		B			CPA1	SALEABLE		1	2	3
KEYING OPTION A, YELLOW	34900-2101	-40 TO 125		2						CHY		A			CPA1	SALEABLE		1	2	3
KEYING OPTION B, YELLOW	34900-2002	-40 TO 125		2						CHY		B			CPA1	SALEABLE		1	2	3
KEYING OPTION A, YELLOW	34900-2001	-40 TO 125		2						CHY		A			CPA1	SALEABLE		1	2	3

DESCRIPTION	COLOR	MATERIAL	COMMENTS
RING SEAL	BURNT RED	INHERENTLY LUBRICATED SILICONE	
ISL	NATURAL	SPS/NYLON GF20	
CPA2	RED	PBT GF30	
CPA1	RED	PBT GF30	
TERMINAL HOUSING KEYING OPTION E	STONE GRAY	SPS/NYLON GF20	ALT. KEY SUGGESTED
TERMINAL HOUSING KEYING OPTION C	DARK GRAY	SPS/NYLON GF20	
TERMINAL HOUSING KEYING OPTION B	LT. GRAY	SPS/NYLON GF20	
TERMINAL HOUSING KEYING OPTION A	BLACK	SPS/NYLON GF20	
CONNECTOR HOUSING	BLACK	SPS/NYLON GF20	UPDATED LATCH
CONNECTOR HOUSING	YELLOW	SPS/NYLON GF20	UPDATED LATCH
CONNECTOR HOUSING	BLACK	SPS/NYLON GF20	
CONNECTOR HOUSING	YELLOW	SPS/NYLON GF20	
WIRE DRESS COVER STRAIGHT	BLACK	PA66	SOLD SEPARATELY SEE SD-160091-0001
WIRE DRESS COVER RIGHT	BLACK	PA66	
WIRE DRESS COVER LEFT	BLACK	PA66	
DESCRIPTION	COLOR	MATERIAL	COMMENTS

BOM / APPLICABLE COMPONENTS TABLE

LEGEND TABLE

ABREVIATION	COMPONENT
CHY	CONNECTOR HOUSING YELLOW
CHB	CONNECTOR HOUSING BLACK
A	TERMINAL HOUSING KEY A
B	TERMINAL HOUSING KEY B
C	TERMINAL HOUSING KEY C
E	TERMINAL HOUSING KEY E
CPA1	CPA VERSION 1
CPA2	CPA VERSION 2
ISL	ISL
R	RING SEAL
1	USCAR INTERFACE 120-S-002-1-Z01 SEE NOTE 1f FOR WEBSITE
2	MOLEX INLINE BLADE CONNECTOR E-34899-2001
3	USCAR INTERFACE 120-S-002-1-Z02 SEE NOTE 1f FOR WEBSITE

THIS DRAWING CONTAINS INFORMATION THAT IS PROPRIETARY TO MOLEX ELECTRONIC TECHNOLOGIES, LLC AND SHOULD NOT BE USED WITHOUT WRITTEN PERMISSION			
QUALITY SYMBOLS F = 0 E = 0 D = 0 C = 0 A = 0 B = 0 V = 0	GENERAL TOLERANCES (UNLESS SPECIFIED) DIMENSION UNITS: mm SCALE: 2:1 DRWN BY: MVANSLAMBROU DATE: 2012/02/15 CHKD BY: GGA DATE: 2013/11/06 APPR BY: GGA DATE: 2012/12/13 DRAFT WHERE APPLICABLE MUST REMAIN WITHIN DIMENSIONS	DIMENSION UNITS: mm SCALE: 2:1 DRWN BY: MVANSLAMBROU DATE: 2012/02/15 CHKD BY: GGA DATE: 2013/11/06 APPR BY: GGA DATE: 2012/12/13 DRAFT WHERE APPLICABLE MUST REMAIN WITHIN DIMENSIONS	 1.2MM 1X2, 1X3 RECPT. SEALED ASSEMBLY CABLE SEAL 621905: ADDED CPA2 PNS, RE-ADDED PNS USING TERMINAL H PRODUCT CUSTOMER DRAWING SERIES: 34900 MATERIAL NUMBER: 9999999999 CUSTOMER: GENERAL MARKET DOCUMENT NUMBER: SD-34900-2001 DOC TYPE: PSD DOC PART: 001 SHEET NUMBER: 5 OF 7
EC NO: 645203 DRWN: GELIOTT01 CHKD: MVANSLAMBROU REV APPR: MVANSLAMBROU		EC NO: 645203 DRWN: GELIOTT01 CHKD: MVANSLAMBROU REV APPR: MVANSLAMBROU	

KEYING OPTION D, STONE GRAY	34900-3223	-40 TO 125	2	SHORT	CHB				D			CPA2	TOOLED BUT NOT VALIDATED	1	2	3
KEYING OPTION C, DARK GRAY	34900-3222	-40 TO 125	2	SHORT	CHB				C			CPA2	TOOLED BUT NOT VALIDATED	1	2	3
KEYING OPTION B, LIGHT GRAY	34900-3221	-40 TO 125	2	SHORT	CHB			B				CPA2	TOOLED BUT NOT VALIDATED	1	2	3
KEYING OPTION A, BLACK	34900-3220	-40 TO 125	2	SHORT	CHB	A						CPA2	TOOLED BUT NOT VALIDATED	1	2	3
KEYING OPTION D, YELLOW	34900-3204	-40 TO 125	2	SHORT	CHY				D			CPA2	TOOLED BUT NOT VALIDATED	1	2	3
KEYING OPTION C, YELLOW	34900-3203	-40 TO 125	2	SHORT	CHY				C			CPA2	TOOLED BUT NOT VALIDATED	1	2	3
KEYING OPTION B, YELLOW	34900-3202	-40 TO 125	2	SHORT	CHY			B				CPA2	TOOLED BUT NOT VALIDATED	1	2	3
KEYING OPTION A, YELLOW	34900-3201	-40 TO 125	2	SHORT	CHY	A						CPA2	TOOLED BUT NOT VALIDATED	1	2	3
KEYING OPTION D, STONE GRAY	34900-3127	-40 TO 125	CONTACT MOLEX FOR INFO	SHORT	CHB					D	CPA1	SALEABLE	RESTRICTED	1	2	3
KEYING OPTION A, BLACK	34900-3124	-40 TO 125	CONTACT MOLEX FOR INFO	SHORT	CHB					A	CPA1	SALEABLE	RESTRICTED	1	2	3
KEYING OPTION D, STONE GRAY	34900-3123	-40 TO 125	2	SHORT	CHB				D		CPA1	TOOLED BUT NOT VALIDATED		1	2	3
KEYING OPTION C, DARK GRAY	34900-3122	-40 TO 125	2	SHORT	CHB				C		CPA1	TOOLED BUT NOT VALIDATED		1	2	3
KEYING OPTION B, LIGHT GRAY	34900-3121	-40 TO 125	2	SHORT	CHB			B			CPA1	SALEABLE		1	2	3
KEYING OPTION A, BLACK	34900-3120	-40 TO 125	2	SHORT	CHB	A					CPA1	SALEABLE		1	2	3
KEYING OPTION D, YELLOW	34900-3104	-40 TO 125	2	SHORT	CHY				D		CPA1	TOOLED BUT NOT VALIDATED		1	2	3
KEYING OPTION C, YELLOW	34900-3103	-40 TO 125	2	SHORT	CHY				C		CPA1	TOOLED BUT NOT VALIDATED		1	2	3
KEYING OPTION B, YELLOW	34900-3102	-40 TO 125	2	SHORT	CHY			B			CPA1	SALEABLE		1	2	3
KEYING OPTION A, YELLOW	34900-3101	-40 TO 125	2	SHORT	CHY	A					CPA1	SALEABLE		1	2	3
ASSEMBLY DESCRIPTION	PART NUMBER	OPERATING TEMPERATURE	VIBRATION CLASS PER GMW3191 DEC. 2007	OUTER HOUSING SHROUD LENGTH		A	B	C	D	A	D	CPA1	CPA3	STATUS	COMMENTS	DESIGNED TO MATE WITH DEVICE CONNECTION

1X3 RECEPTACLE SEALED ASSEMBLY BOM SHEET 1

RING SEAL	LIGHT BLUE	INHERENTLY LUBRICATED SILICONE	
ISL	NATURAL	SPS/NYLON GF20	
CPA2	RED	PBT GF30	
CPA1	RED	PBT GF30	
TERMINAL HOUSING KEYING OPTION D, Alt.	STONE GRAY	SPS/NYLON GF20	RESTRICTED
TERMINAL HOUSING KEYING OPTION A, Alt.	BLACK	SPS/NYLON GF20	RESTRICTED
TERMINAL HOUSING KEYING OPTION D	STONE GRAY	SPS/NYLON GF20	
TERMINAL HOUSING KEYING OPTION C	DARK GRAY	SPS/NYLON GF20	
TERMINAL HOUSING KEYING OPTION B	LT. GRAY	SPS/NYLON GF20	
TERMINAL HOUSING KEYING OPTION A	BLACK	SPS/NYLON GF20	
CONNECTOR HOUSING	BLACK	SPS/NYLON GF20	UPDATED LATCH
CONNECTOR HOUSING	YELLOW	SPS/NYLON GF20	UPDATED LATCH
CONNECTOR HOUSING	BLACK	SPS/NYLON GF20	
CONNECTOR HOUSING	YELLOW	SPS/NYLON GF20	
WIRE DRESS COVER STRAIGHT	BLACK	PA66	SOLD SEPARATELY SEE SD-160091-0001
WIRE DRESS COVER RIGHT	BLACK	PA66	
WIRE DRESS COVER LEFT	BLACK	PA66	
DESCRIPTION	COLOR	MATERIAL	COMMENTS

BOM / APPLICABLE COMPONENTS TABLE

ABREVIATION	COMPONENT
CHY	CONNECTOR HOUSING YELLOW
CHB	CONNECTOR HOUSING BLACK
A	TERMINAL HOUSING KEY A
B	TERMINAL HOUSING KEY B
C	TERMINAL HOUSING KEY C
D	TERMINAL HOUSING KEY D
CPA1	CPA VERSION 1
CPA2	CPA VERSION 2
ISL	ISL
R	RING SEAL
1	USCAR INTERFACE 120-S-003-1-Z01 SEE NOTE 1f FOR WEBSITE
2	MOLEX INLINE BLADE CONNECTOR E-34899-2001
3	USCAR INTERFACE 120-S-003-1-Z02 SEE NOTE 1f FOR WEBSITE

QUALITY SYMBOLS	THIS DRAWING CONTAINS INFORMATION THAT IS PROPRIETARY TO MOLEX ELECTRONIC TECHNOLOGIES, LLC AND SHOULD NOT BE USED WITHOUT WRITTEN PERMISSION			
	2020/09/11 DRWN: GELLIOTTO1	2020/09/15 CHKD: MVANSLAMBROU	2020/09/15 REV APPR: MVANSLAMBROU	GENERAL TOLERANCES (UNLESS SPECIFIED)
				DIMENSION UNITS: mm
				SCALE: 5:1
				DRWN BY: MVANSLAMBROU
				DATE: 2012/02/15
				CHKD BY: GGA
				DATE: 2013/11/06
				APPR BY: GGA
				DATE: 2012/12/13
				DRAWING SIZE: D
				THIRD ANGLE PROJECTION
				SERIES: 34900
				MATERIAL NUMBER: 9999999999
				CUSTOMER: GENERAL MARKET
				DOCUMENT NUMBER: SD-34900-2001
				DOC TYPE: PSD
				DOC PART: 001
				SHEET NUMBER: 6 OF 7

OBSOLETE PART NUMBERS

34900-2023	OBSOLETE
34900-2022	OBSOLETE
34900-2021	OBSOLETE
34900-2020	OBSOLETE
34900-2004	OBSOLETE
34900-2003	OBSOLETE
ASSEMBLY PART NUMBERS	STATUS

1X2

34900-3023	OBSOLETE
34900-3022	OBSOLETE
34900-3021	OBSOLETE
34900-3020	OBSOLETE
34900-3004	OBSOLETE
34900-3003	OBSOLETE
34900-3002	OBSOLETE
34900-3001	OBSOLETE
ASSEMBLY PART NUMBERS	STATUS

1X3


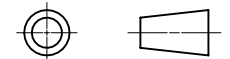
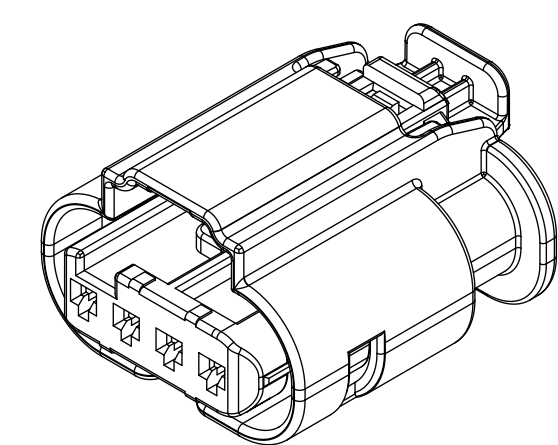
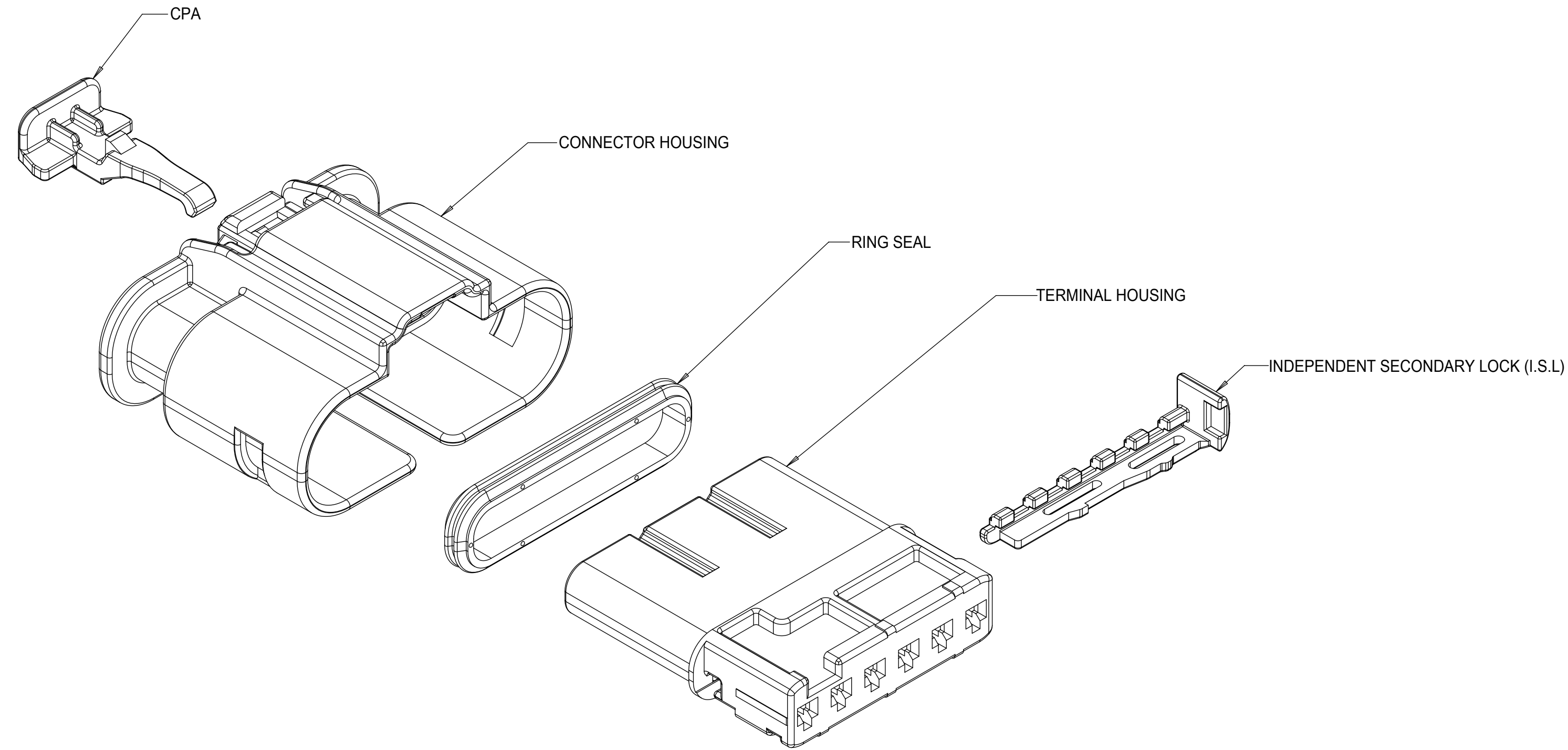
THIS DRAWING CONTAINS INFORMATION THAT IS PROPRIETARY TO MOLEX ELECTRONIC TECHNOLOGIES, LLC AND SHOULD NOT BE USED WITHOUT WRITTEN PERMISSION									
DIMENSION UNITS	SCALE	Material:							
mm	1:1	Heat treat:							
GENERAL TOLERANCES (UNLESS SPECIFIED)		Finish:			1.2MM 1X2, 1X3 RECPT. SEALED ASSEMBLY CABLE SEAL 621905: ADDED CPA2 PNS, RE-ADDED PNS USING TERMINAL H				
ANGULAR TOL ± °		CURRENT REV DESC:							
4 PLACES	±	EC NO: 645203 DRWN: GELLIOTT01 2020/09/11 CHK'D: MVANSLAMBROU 2020/09/15 APPR: MVANSLAMBROU 2020/09/15 ORIG DRWN BY: MVANSLAMBROU 2012/02/15			PRODUCT CUSTOMER DRAWING				
3 PLACES	±				DOCUMENT NUMBER				
2 PLACES	± 0.1				SD-34900-2001				
1 PLACE	± 0.2				DOC TYPE DOC PART REVISION				
0 PLACES	± 0.5				PSD 001 C8				
TOOL NUMBER	THIRD ANGLE PROJECTION	DRAWING	SERIES	MATERIAL NUMBER	CUSTOMER		SHEET NUMBER		
		D-SIZE	34900		GENERAL MARKET		7 OF 7		

TABLE OF CONTENTS

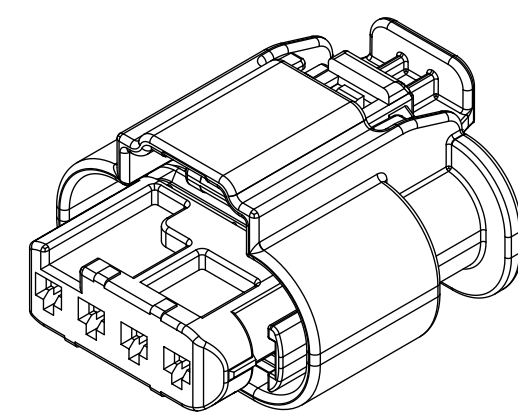
SHEET NO.	SHEET DESCRIPTION
1	NOTES
2	1x4 RECEPTACLE SEALED ASSEMBLY KEYING CONFIGURATIONS
3	1x6 RECEPTACLE SEALED ASSEMBLY KEYING CONFIGURATIONS
4	RECEPTACLE SEALED ASSEMBLY
5	1x4 RECEPTACLE SEALED ASSEMBLY BOM SHEET
6	1x6 RECEPTACLE SEALED ASSEMBLY BOM SHEET

NOTES: VALID UNLESS OTHERWISE SPECIFIED

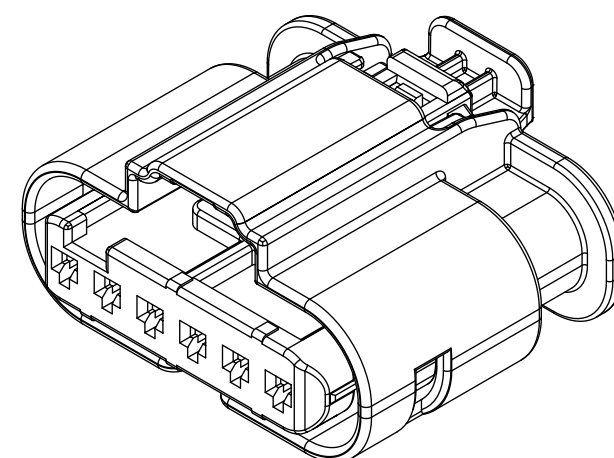
1. GENERAL:
 - a. APPLICATION SPECIFICATION SEE: AS-34900-0001
CONTAINS: PRODUCT INTRODUCTION, PRODUCT SUMMARY, CONNECTOR ASSEMBLY, PACKAGING INFORMATION, CONNECTOR MATING, SERVICE INSTRUCTIONS, ELECTRICAL CONTINUITY CHECKING, CRIMPING, AND TROUBLESHOOTING.
 - b. PRODUCT SPECIFICATION SEE: PS-34900-0001
CONTAINS: PRODUCT INTRODUCTION, PRODUCT SUMMARY, APPROVED TERMINALS, SINGLE WIRE SEALS, RATINGS (CURRENT, TEMPERATURE, SEALING, AND FLAMMABILITY), AND PRODUCT VALIDATION.
 - c. PACKAGING SPECIFICATION PER MOLEX DRAWING: PK-31301-898
 - d. PARTS MUST BE IN COMPLIANCE TO MOLEX CHEMICAL SUBSTANCES FOR PRODUCTS AND PACKAGING SPECIFICATION: ES-40000-5016
 - e. DATA MUST BE SUBMITTED UNDER THE MOLEX PART NUMBER TO IMDS (COMPANY ID#13255)
 - f. DESIGNED TO MATE WITH DEVICE CONNECTION AS SPECIFIED IN BOM CHART USCAR INTERFACE DRAWINGS AND MODELS ARE AVAILABLE AT <http://ewcap.uscarteams.org/>.
2. DESIGN - MATERIALS:
 - a. SEE BOM TABLE
3. DESIGN - GEOMETRY:
 - a. THIS IS A 100% CAD GENERATED PART. THE CAD MATHEMATICAL DATA IS THE MASTER FOR THIS PART. FOR DIMENSIONAL OR ANY INFORMATION NOT SHOWN ON THIS DRAWING, ANALYZE THE CAD MODEL.
 - b. GEOMETRIC DIMENSIONS AND TOLERANCES PER ASME Y14.5M - 1994
 - c. EDGES AND UNDIMENSIONED DETAILS PER ISO13715
 - d. CORNERS SHOWN AS SHARP TO BE R 0.2 MAX.
 - e. LETTERING SHALL BE 0.15 MAX RAISED IN 0.25 MAX RECESS PAD. THIS INCLUDES RECYCLING CODE, CAVITY ID, VENDOR IDENTIFICATION, AND CUSTOMER MATERIAL NUMBER.
 - f. VISUAL DEFECTS SHALL MEET COSMETIC STANDARD PS-45499-002 (Class B) CAD MODEL.
 - g. LASER MARKING:
 1. PART NUMBER
 2. DAY OF THE YEAR
 3. SHIFT
 4. YEAR



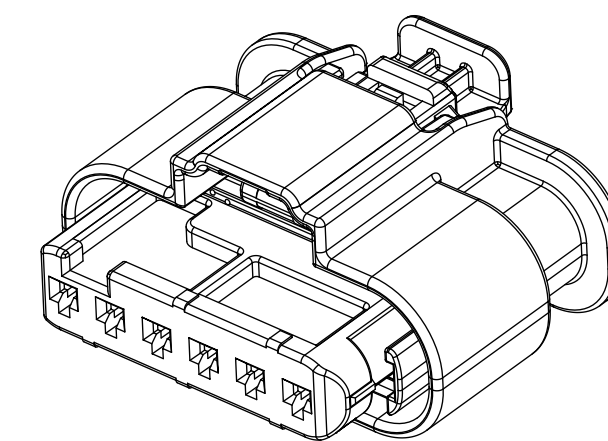
1x4 RECEPTACLE SEALED ASSEMBLY
LONG SHROUD



1x4 RECEPTACLE SEALED ASSEMBLY
MID LENGTH SHROUD



1x6 RECEPTACLE SEALED ASSEMBLY
LONG SHROUD

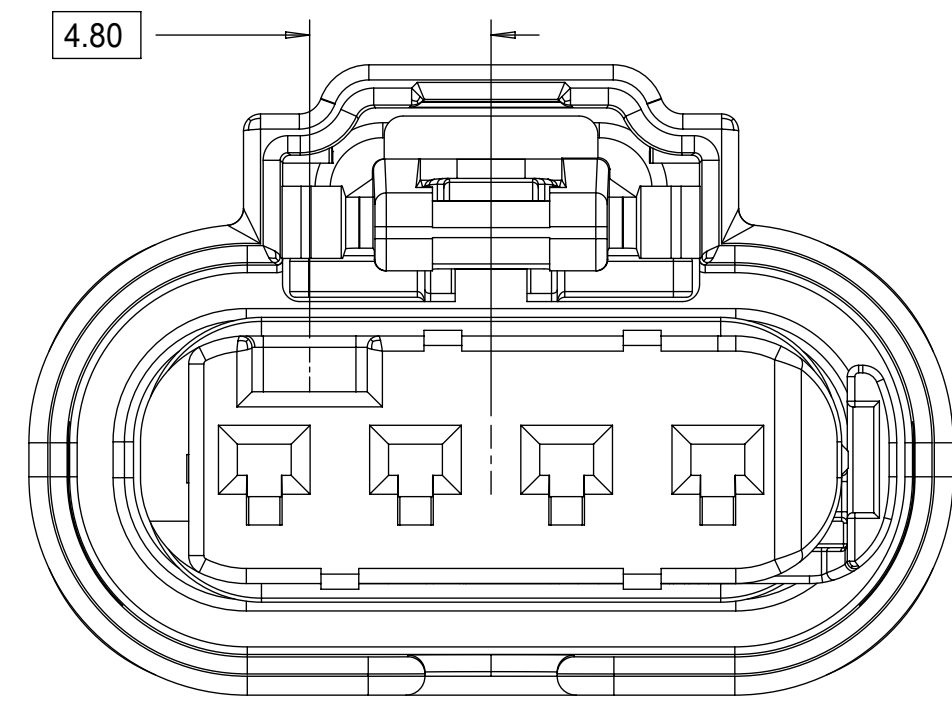


1x6 RECEPTACLE SEALED ASSEMBLY
MID LENGTH SHROUD

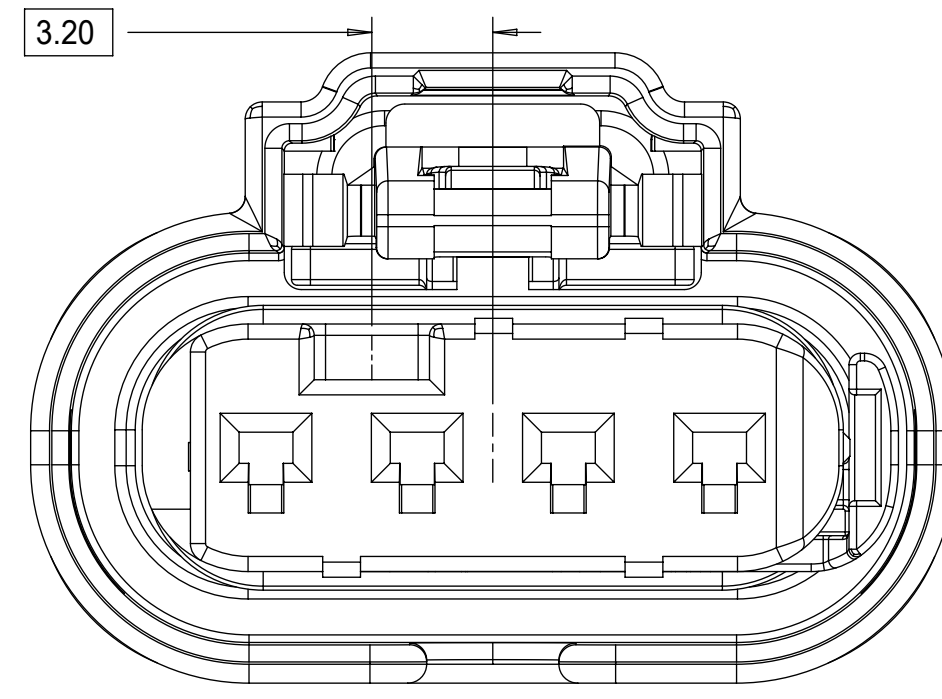
A15-A17	REMOVED CPA3
A14	UPDATED STATUS, ADDED WIRE DRESS COVERS
A13	NX-REMASTER, ADDED CPA2 PART NUMBERS AND OBSOLETE PAGE
A12	RELEASE ALL KEYS SALEABLE
A11	RELEASE NON SIR SALEABLE
A10	PART #'S WITH NEW LATCH DESIGN SALEABLE
A9	PART #'S WITH NEW LATCH DESIGN SALEABLE
A8	ADDED NEW PART NUMBERS FOR LATCH IMPROVEMENT PARTS
A7	UPDATED 34900-6012 AND 34900-6012 TO SALEABLE
A6	UPDATED SHROUD LENGTH DIMENSION SCHEME
A5	BOM CORRECTIONS AND UPDATES
A4	BOM CORRECTIONS AND UPDATES
A3	NON SIR PART# OK TO TOOL
A2	BOM UPDATES FOR NON-SIR PART #
A1	1X6 MID LENGTH SHROUD OK TO TOOL
A	1X4 INLINE VIEWS ADDED
1	INITIAL RELEASE
REV	DESCRIPTION

QUALITY SYMBOLS	THIS DRAWING CONTAINS INFORMATION THAT IS PROPRIETARY TO MOLEX ELECTRONIC TECHNOLOGIES, LLC AND SHOULD NOT BE USED WITHOUT WRITTEN PERMISSION				
▽ = 0	EC NO: 639764 DRWN: GELIOTTO1 CHKD: KBORUSZEWSKI REV APPR: KBORUSZEWSKI	GENERAL TOLERANCES (UNLESS SPECIFIED)		DIMENSION UNITS	SCALE
▽ = 0		ANGULAR TOL ± °		mm	3:1
▽ = 0		4 PLACES ±	3 PLACES ±	DRWN BY	DATE
▽ = 0		2 PLACES ± 0.1	1 PLACE ± 0.2	MVANSLAMBROU	2012/05/03
▽ = 0	0 PLACES ± 0.5	DRAFT WHERE APPLICABLE MUST REMAIN WITHIN DIMENSIONS	CHKD BY	DATE	
▽ = 0			APPR BY	DATE	
▽ = 0			GGA	2012/12/13	
▽ = 0			DRAWING SIZE	THIRD ANGLE PROJECTION	
▽ = 0			D	⊕	
	A17	SERIES	MATERIAL NUMBER	CUSTOMER	
		34900	SEE TABLE	GENERAL MARKET	
		DOCUMENT NUMBER	DOC TYPE	DOC PART	SHEET NUMBER
		SD-34900-6001	PSD	001	1 OF 7

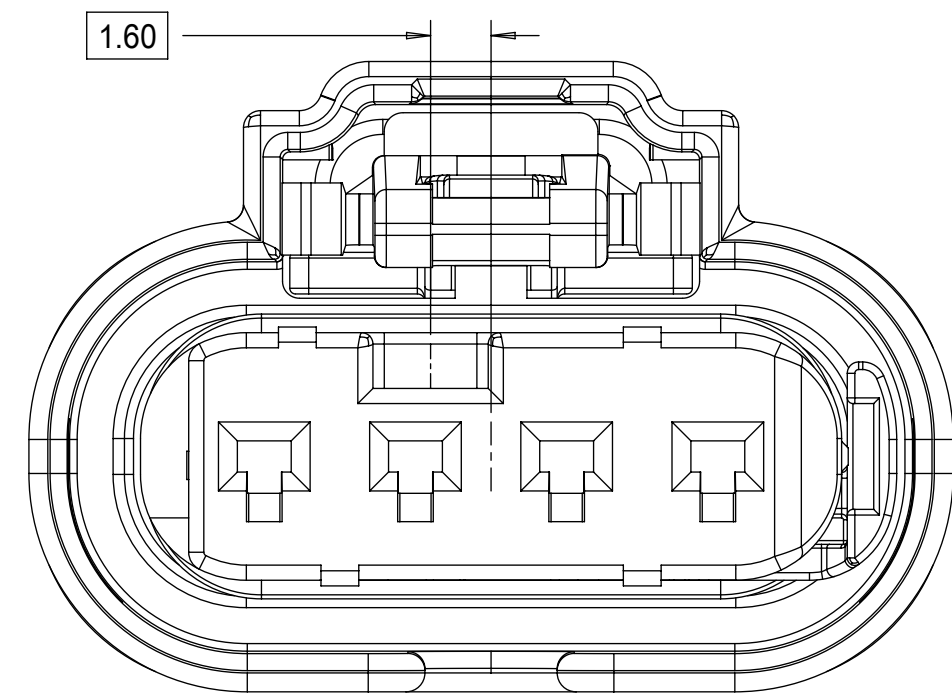
1x4 RECEPTACLE SEALED ASSEMBLY KEYING CONFIGURATIONS. FOR PART NUMBERS REFER TO BOM SHEET.



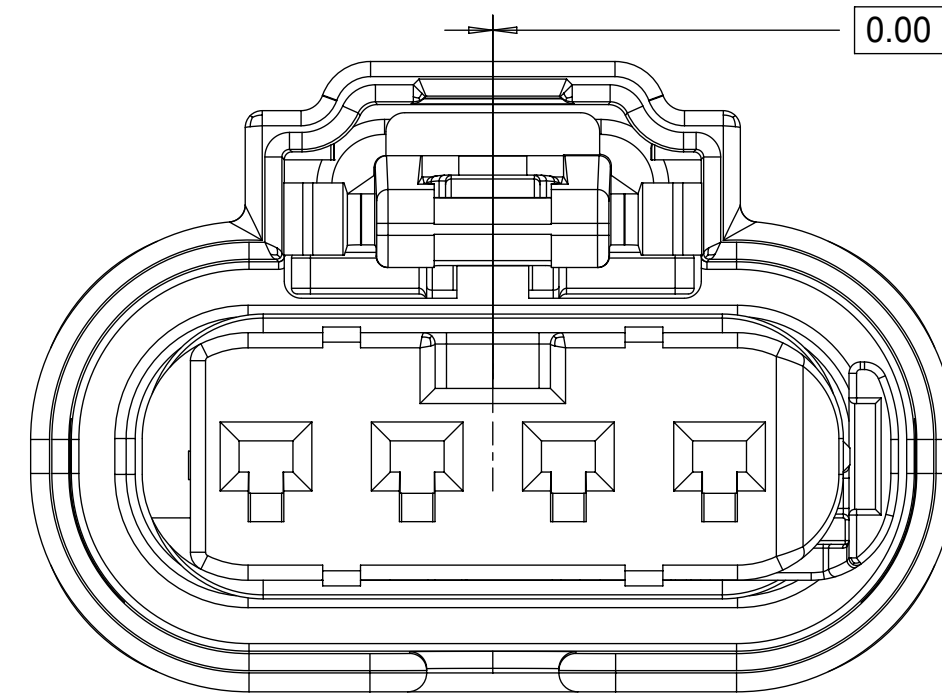
KEYING OPTION A



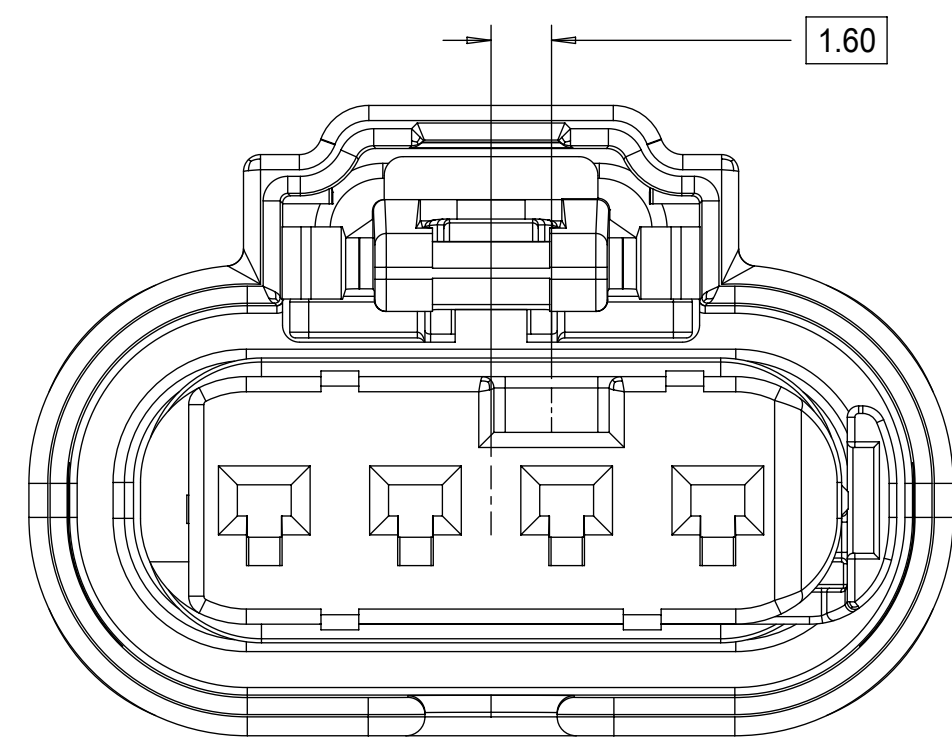
KEYING OPTION E



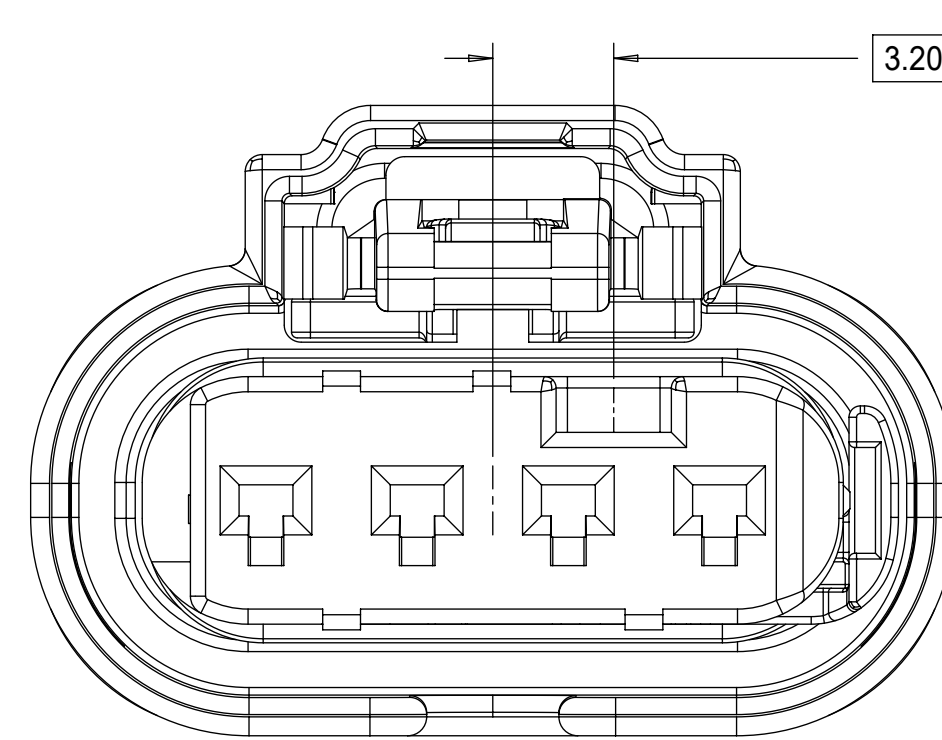
KEYING OPTION B



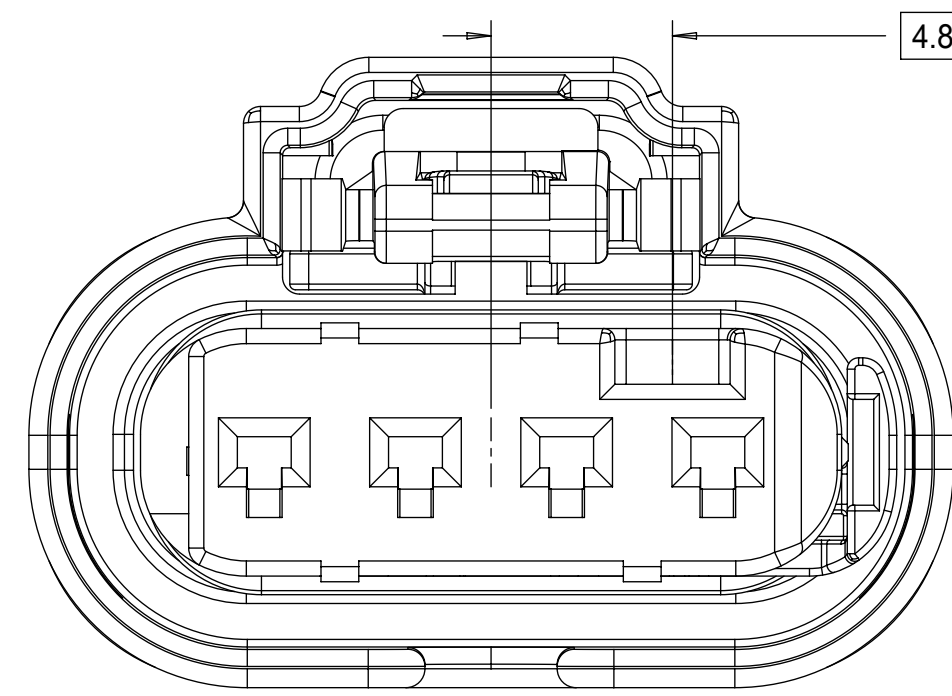
KEYING OPTION F



KEYING OPTION C



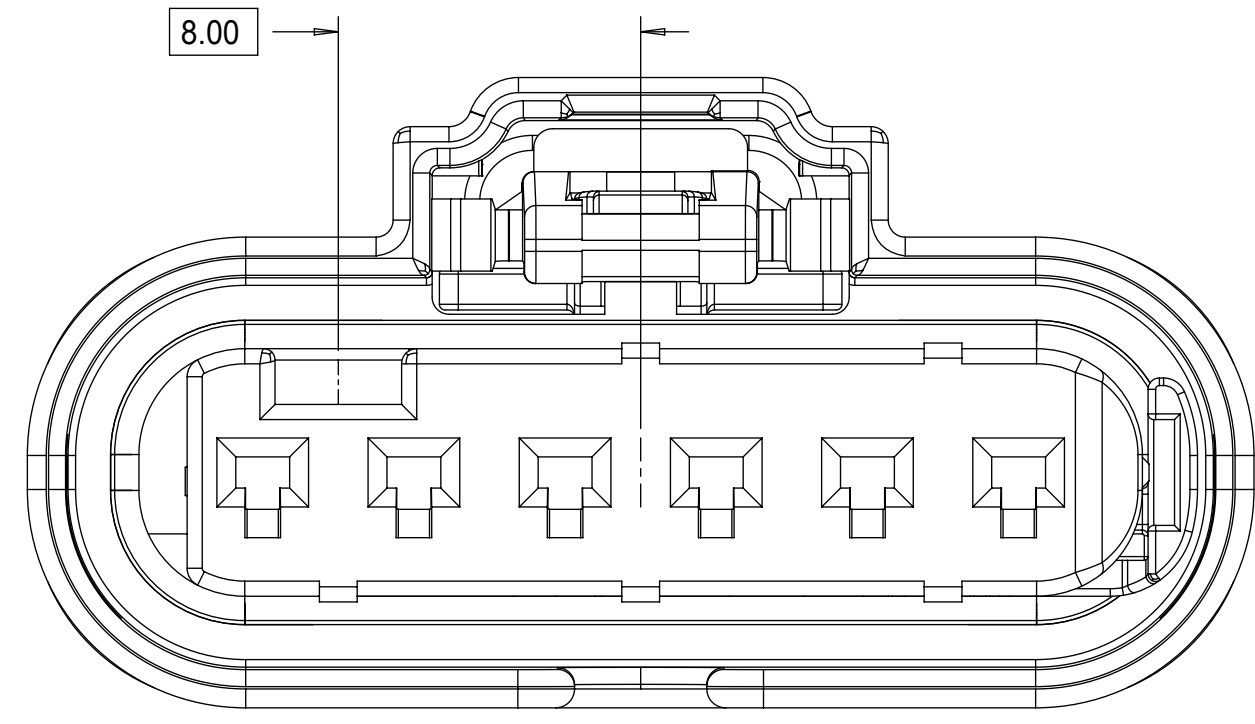
KEYING OPTION G



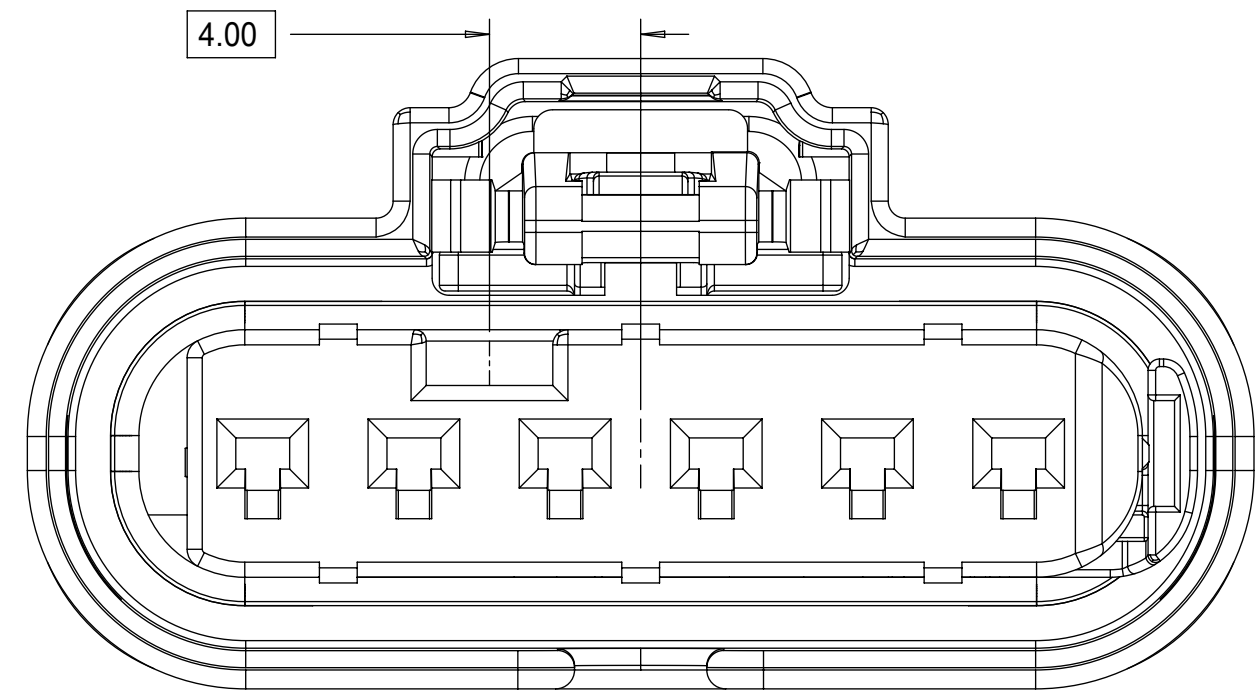
KEYING OPTION D

QUALITY SYMBOLS □ = 0 ▽ = 0 ▽ = 0 ▽ = 0 ▽ = 0 ▽ = 0 ▽ = 0 ▽ = 0 ▽ = 0 ▽ = 0 ▽ = 0	THIS DRAWING CONTAINS INFORMATION THAT IS PROPRIETARY TO MOLEX ELECTRONIC TECHNOLOGIES, LLC AND SHOULD NOT BE USED WITHOUT WRITTEN PERMISSION										
	EC NO: 639764	DRWN: GELLIOTTO1	CHKD: KBORUSZEWSKI	REV: APPR: KBORUSZEWSKI	2020/06/17	2020/06/23	2020/06/23	2020/06/23	GENERAL TOLERANCES (UNLESS SPECIFIED)	DIMENSION UNITS	SCALE
					4 PLACES ±	3 PLACES ±	2 PLACES ± 0.1	1 PLACE ± 0.2	0 PLACES ± 0.5	mm	5:1
					ANGULAR TOL ± °		DRAFT WHERE APPLICABLE MUST REMAIN WITHIN DIMENSIONS				
					DRWN BY		DATE		MVANSLAMBROU		2012/05/03
					CHKD BY		DATE				
					APPR BY		DATE		GGA		2012/12/13
					DRAWING SIZE		THIRD ANGLE PROJECTION		D		
	SERIES		MATERIAL NUMBER		CUSTOMER		DOCUMENT NUMBER		DOC TYPE		DOC PART SHEET NUMBER
	34900		SEE BOM		GENERAL MARKET		SD-34900-6001		PSD		001 2 OF 7

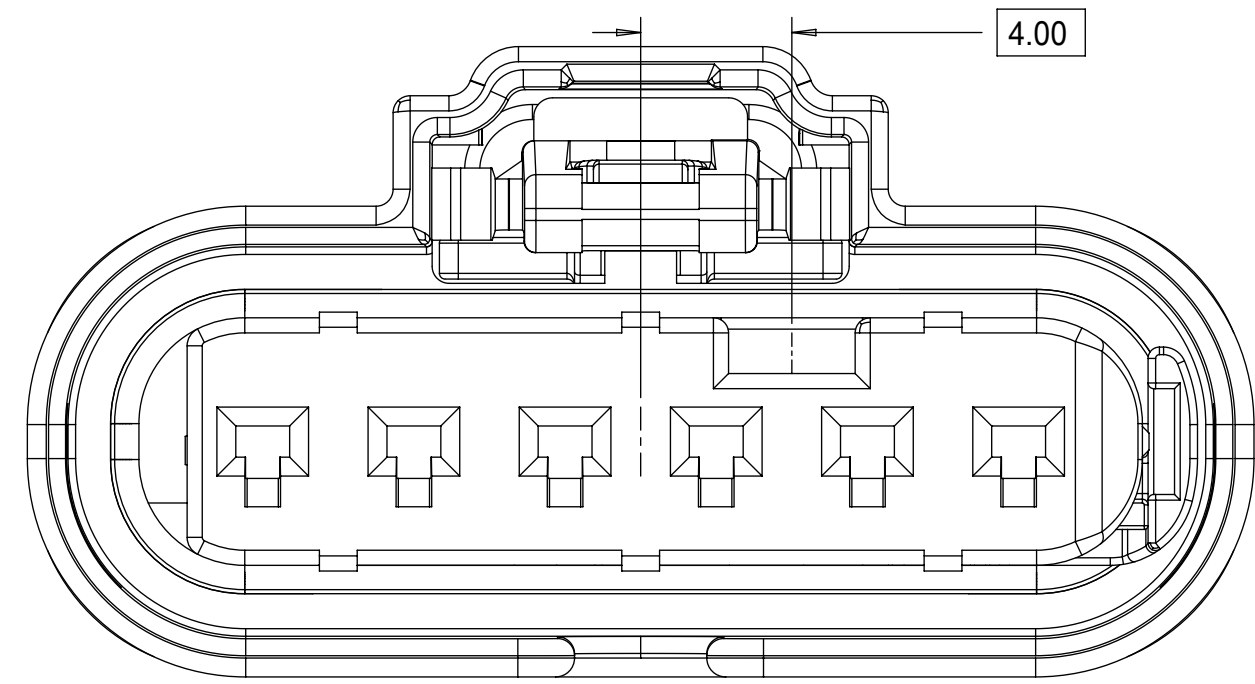
1x6 RECEPTACLE SEALED ASSEMBLY KEYING CONFIGURATIONS. FOR PART NUMBERS REFER TO BOM SHEET.



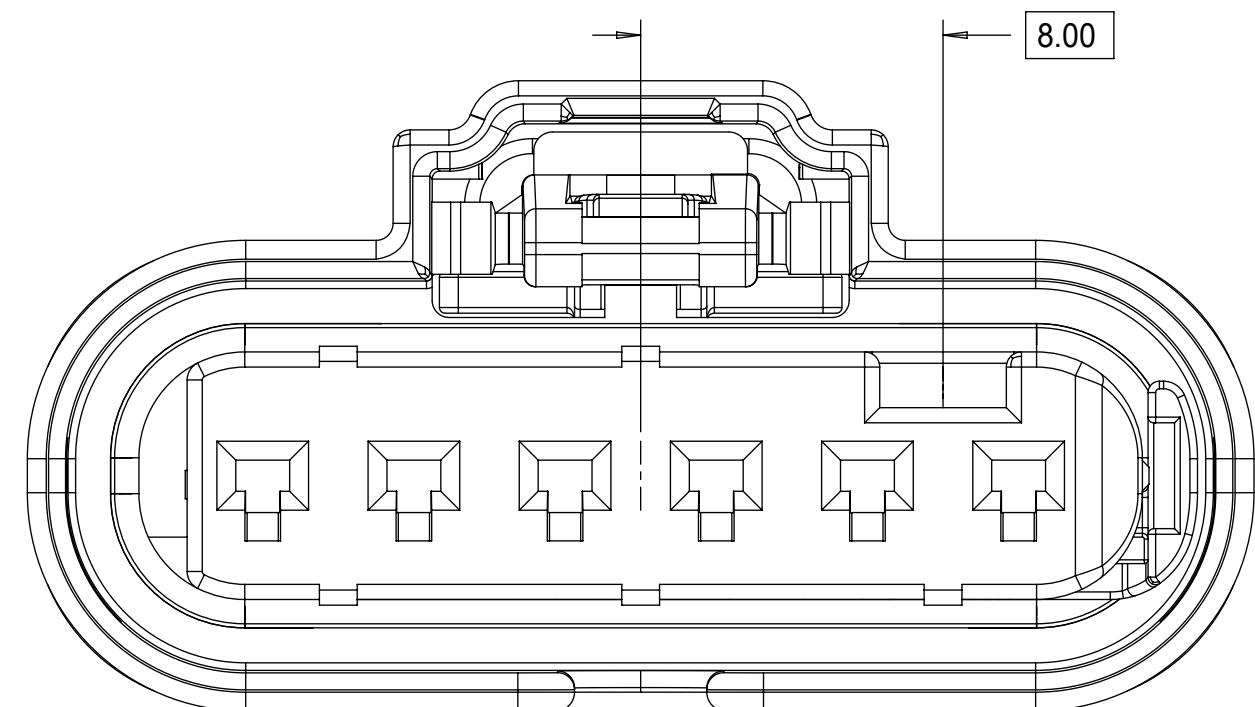
KEYING OPTION A



KEYING OPTION B



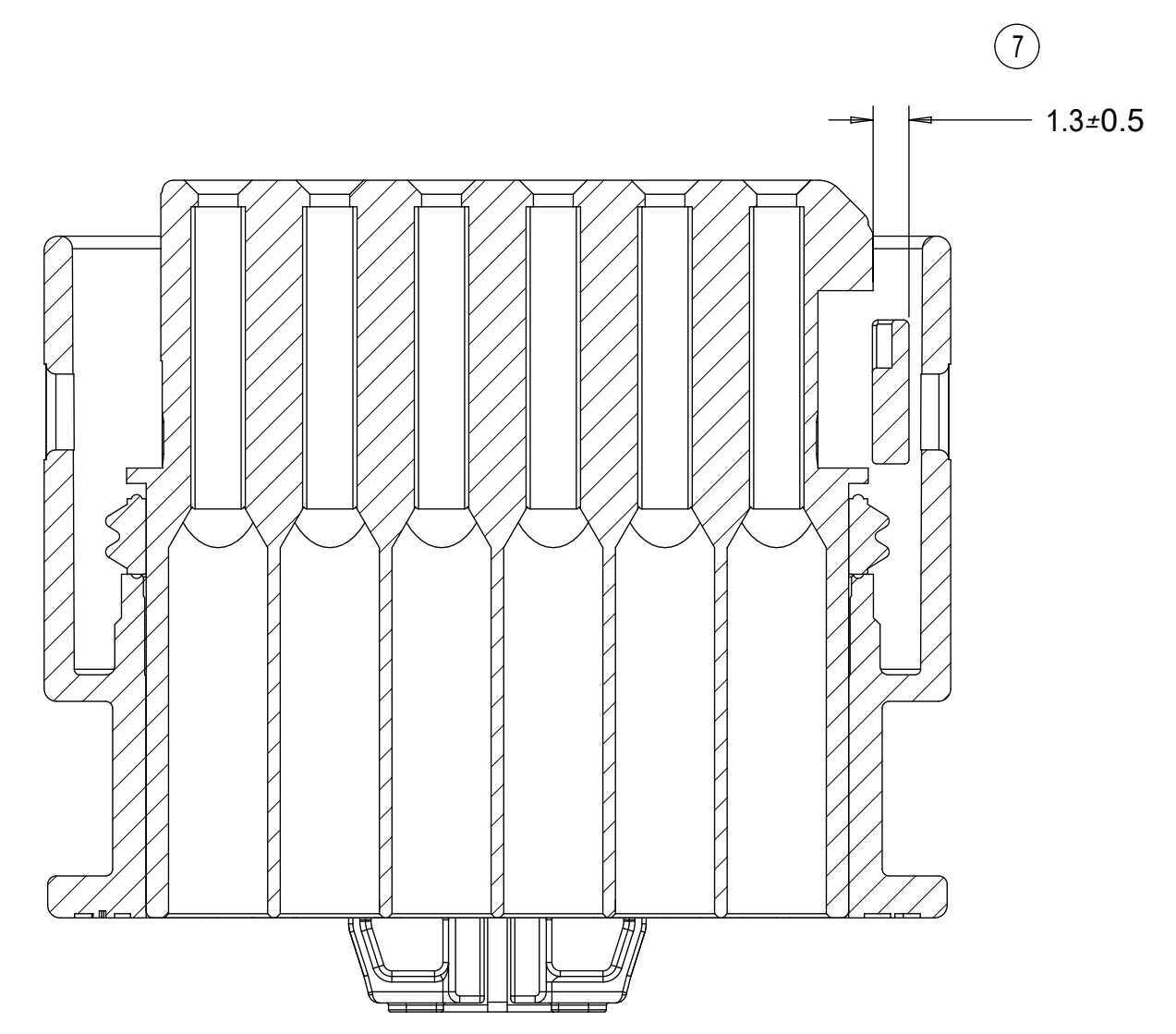
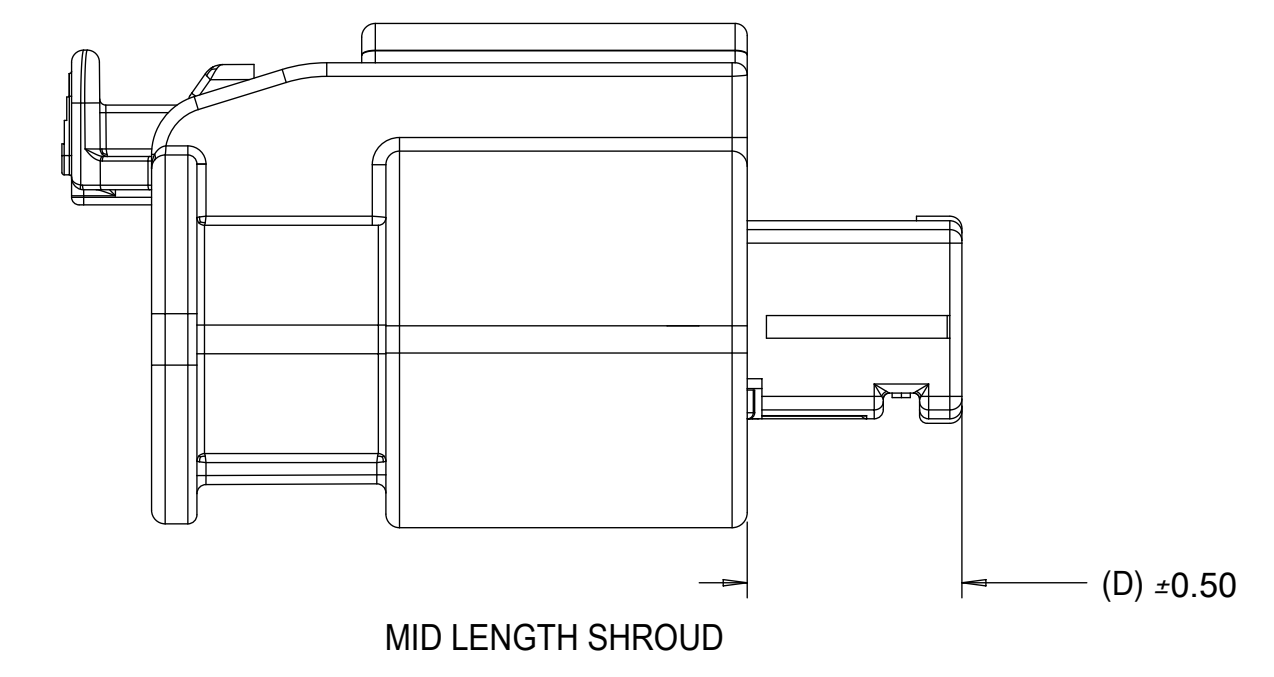
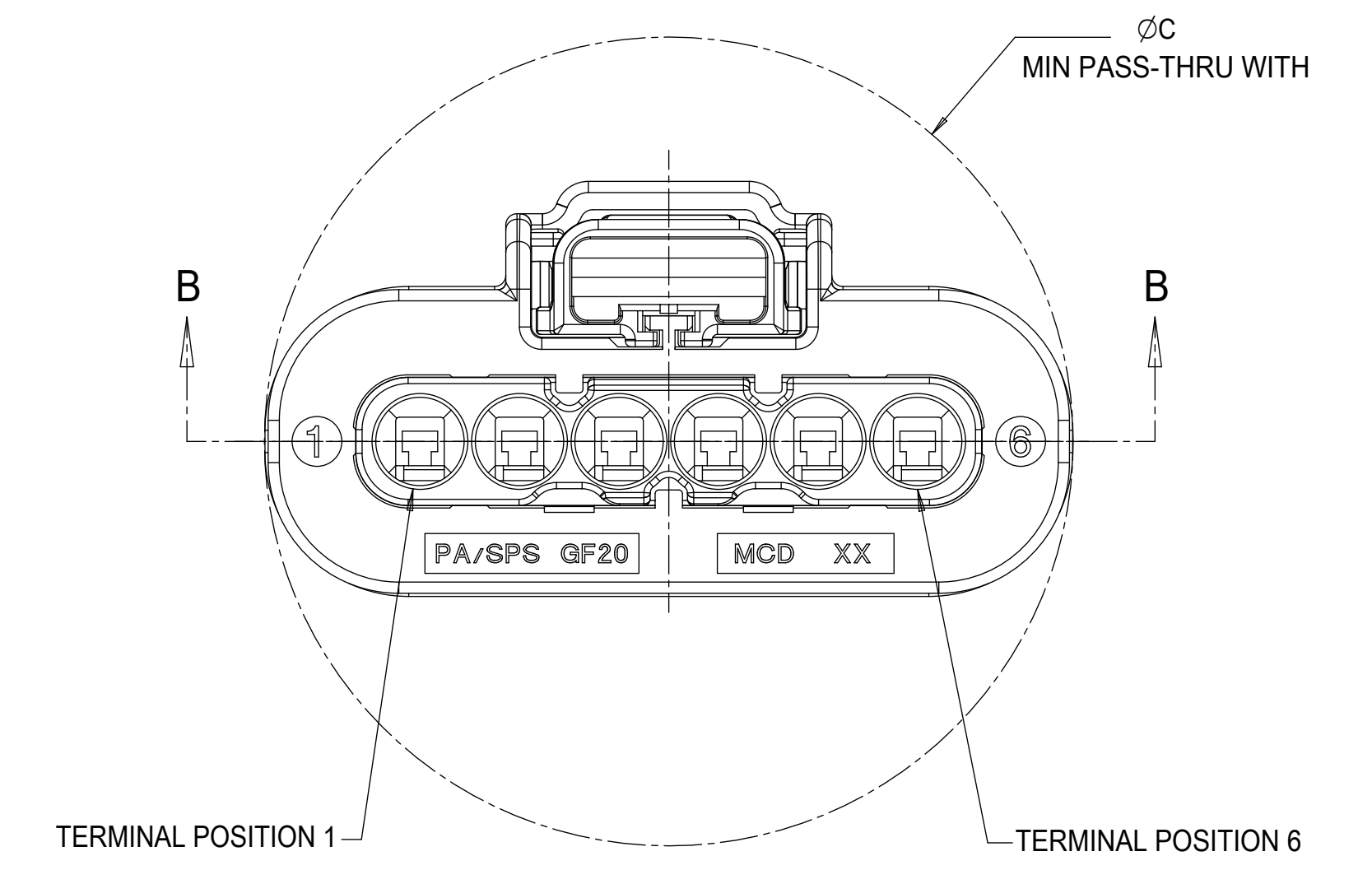
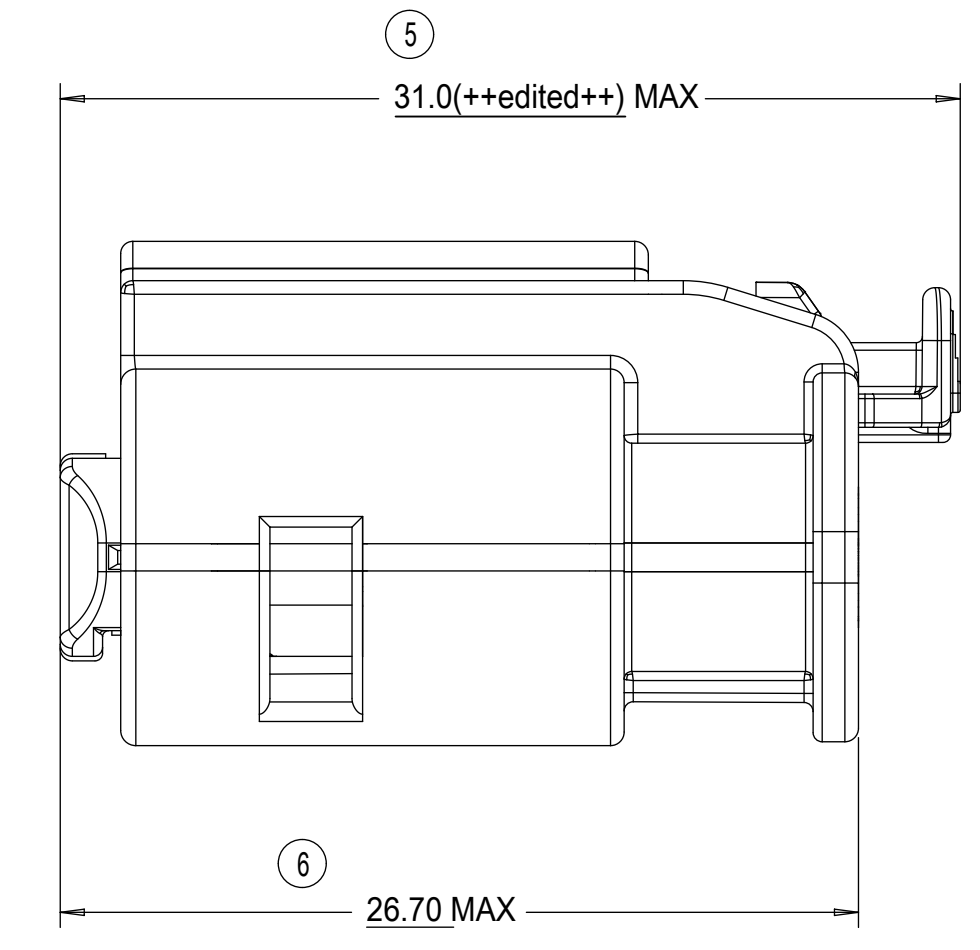
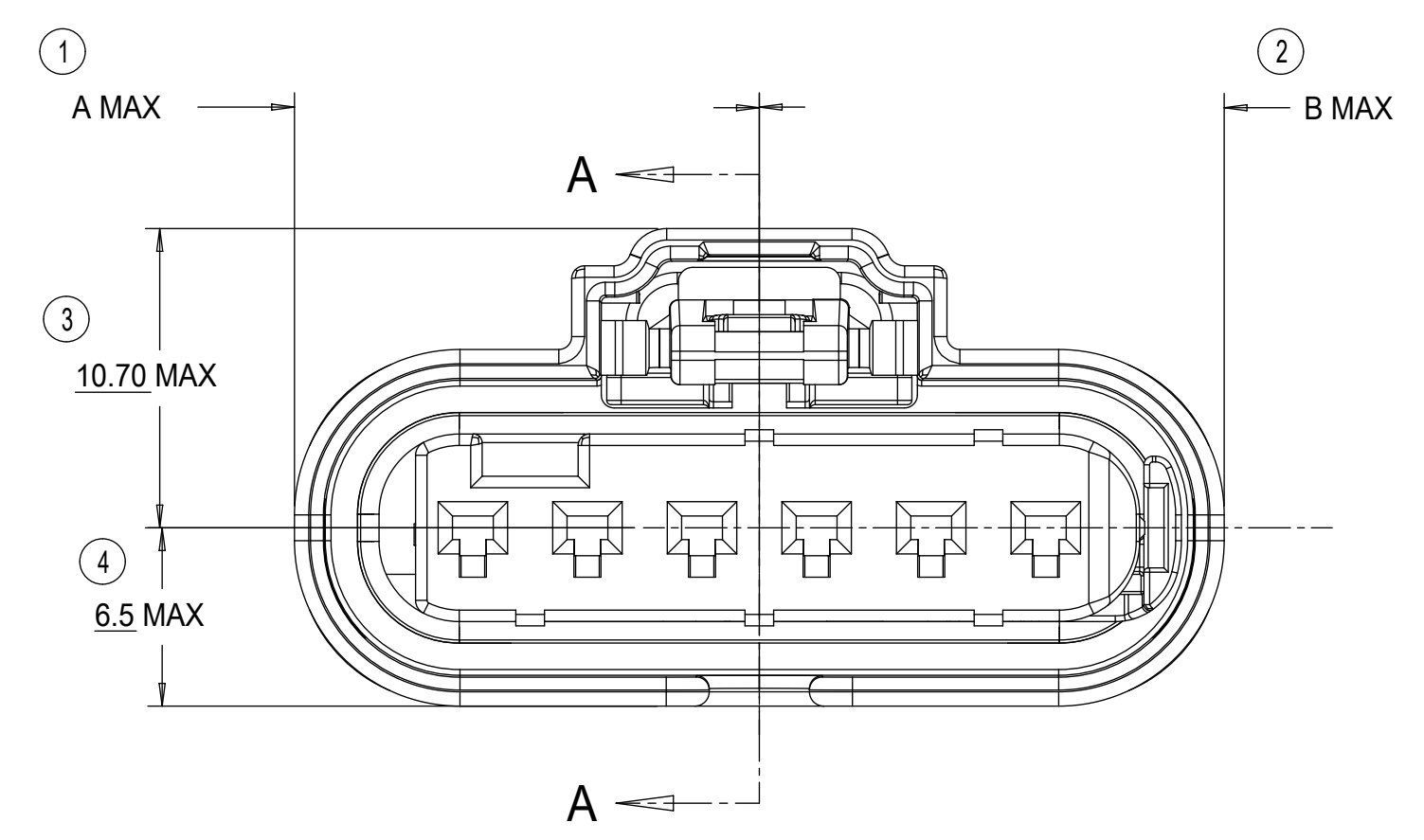
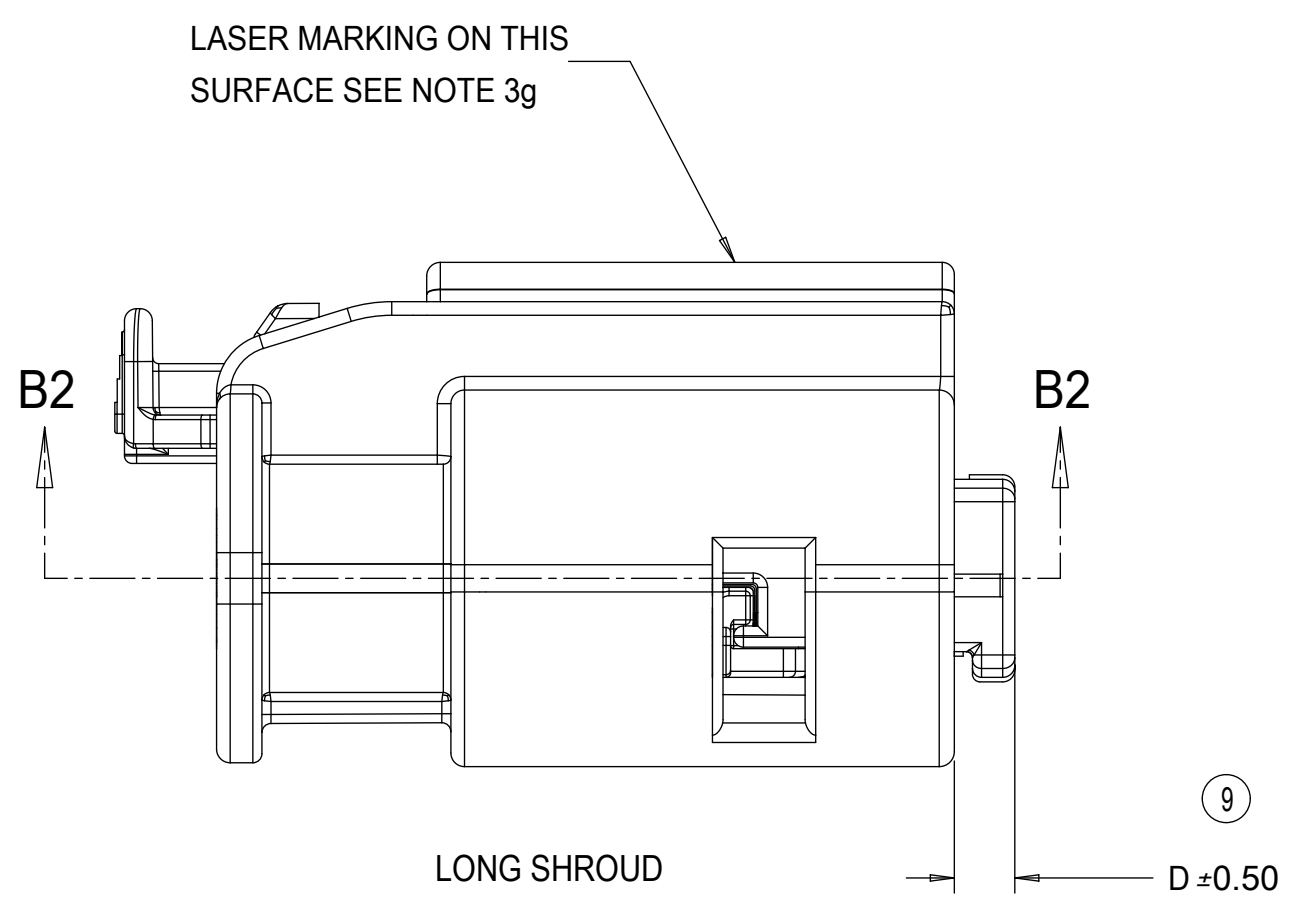
KEYING OPTION C



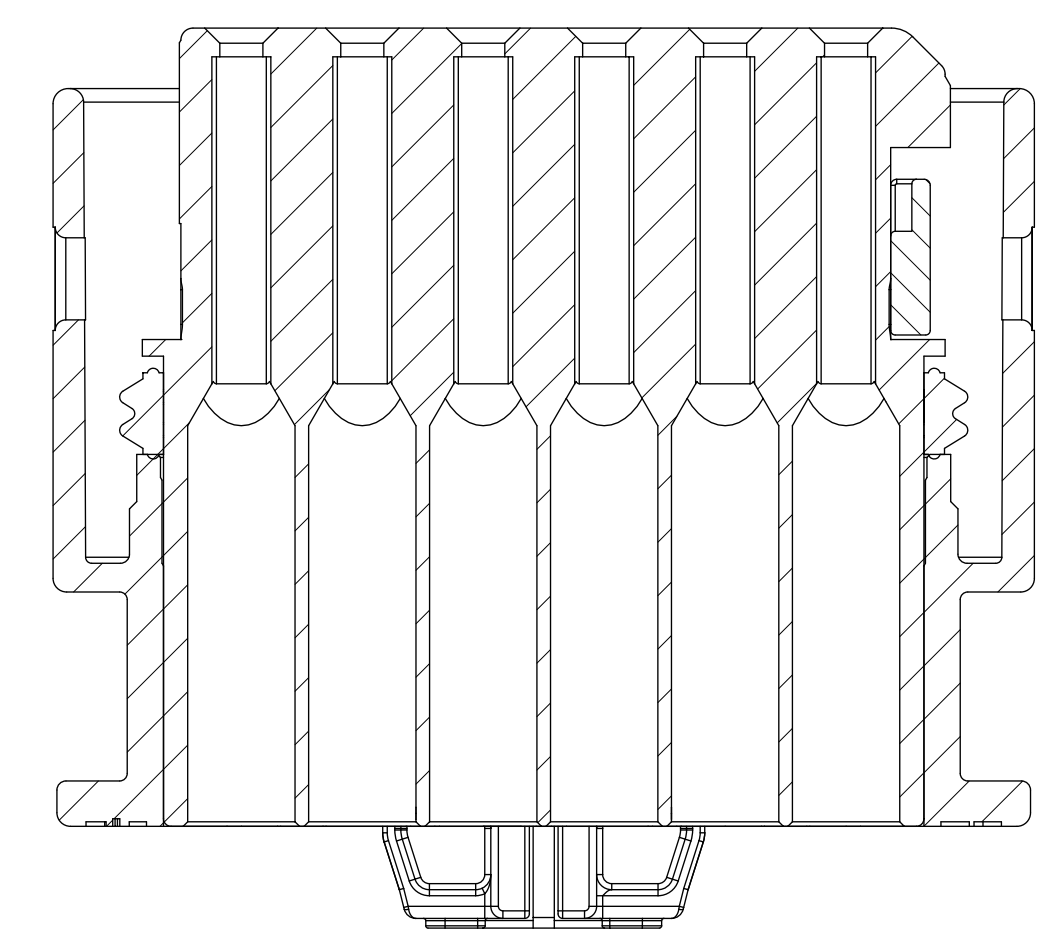
KEYING OPTION D

QUALITY SYMBOLS □ = 0 □ = 0 □ = 0 ▽ = 0 ▽ = 0 □ = 0 □ = 0 ■ = 0 ▽ = 0		THIS DRAWING CONTAINS INFORMATION THAT IS PROPRIETARY TO MOLEX ELECTRONIC TECHNOLOGIES, LLC AND SHOULD NOT BE USED WITHOUT WRITTEN PERMISSION		GENERAL TOLERANCES (UNLESS SPECIFIED) DIMENSION UNITS: mm SCALE: 5:1 ANGULAR TOL ± °		DRWN BY: MVANSLAMBROU DATE: 2012/05/03 CHKD BY: DATE:		APPR BY: GGA DATE: 2012/12/13		PRODUCT CUSTOMER DRAWING	
EC NO: 639764 DRWN: GELLIOTTO1 CHKD: KBORUSZEWSKI REV: APPR: KBORUSZEWSKI		2020/06/17 2020/06/23 2020/06/23		4 PLACES ± 3 PLACES ± 2 PLACES ± 0.1 1 PLACE ± 0.2 0 PLACES ± 0.5		DRAWING SIZE: D THIRD ANGLE PROJECTION		SERIES: 34900 MATERIAL NUMBER: SEE BOM CUSTOMER: GENERAL MARKET		DOCUMENT NUMBER: SD-34900-6001 DOC TYPE: PSD DOC PART: 001 SHEET NUMBER: 3 OF 7	
RELEASE STATUS	P1	RELEASE DATE	2020/06/23	16:54:53							

RECEPTACLE SEALED ASSEMBLY



SECTION B-B
INDEPENDENT SECONDARY LOCK (ISL)
SHOWN IN THE PRE-STAGED POSITION



SECTION B2-B2
INDEPENDENT SECONDARY LOCK (ISL)
SHOWN IN THE FINAL-LOCK POSITION

	A	B	C	D
1x6 MID LENGTH SHROUD	16.5	16.5	33.0	6.70
1x4 MID LENGTH SHROUD	16.5	16.5	25.0	6.70
1x6 LONG SHROUD	16.5	16.5	33.0	2.00
1x4 LONG SHROUD	12.5	12.5	25.0	2.00
DESCRIPTION	A	B	C	D

CHARTED DIMENSIONS

QUALITY SYMBOLS 	THIS DRAWING CONTAINS INFORMATION THAT IS PROPRIETARY TO MOLEX ELECTRONIC TECHNOLOGIES, LLC AND SHOULD NOT BE USED WITHOUT WRITTEN PERMISSION		DIMENSION UNITS mm		SCALE 4:1				
	GENERAL TOLERANCES (UNLESS SPECIFIED)		DRWN BY MVANSLAMBROU		DATE 2012/05/03				1.2MM 1X4, 1X6 RECPT. SEALED ASSEMBLY CABLE SEAL 626759 - CHANGED CPA2 TO CPA2. ROLLING CHANGE AT GM.
ANGULAR TOL ± °		CHKD BY DATE		APPR BY GGA		DATE 2012/12/13		PRODUCT CUSTOMER DRAWING	
4 PLACES ±		DRAFT WHERE APPLICABLE MUST REMAIN WITHIN DIMENSIONS		DRAWING SIZE D		THIRD ANGLE PROJECTION		SERIES 34900	
3 PLACES ±				MATERIAL NUMBER SEE BOM		CUSTOMER GENERAL MARKET		DOCUMENT NUMBER SD-34900-6001	
2 PLACES ± 0.1				DOC TYPE PSD		DOC PART 001		SHEET NUMBER 4 OF 7	
1 PLACE ± 0.2									
0 PLACES ± 0.5									

1X4 RECEPTACLE SEALED ASSEMBLY BOM SHEET 1

KEY OPTION	ASSEMBLY DESCRIPTION	CONNECTOR HOUSING COLOR	TERMINAL HOUSING COLOR	OUTER HOUSING SHROUD LENGTH	ASSEMBLY PART NUMBER	CHB	CHY	CHMB	A	B	C	D	E	F	G	CPA1	CPA2	PRODUCTION TOOL STATUS	COMMENTS	DESIGNED TO MATE WITH DEVICE CONNECTION	
KEY OPTION G	BLACK	LIGHT GRAY	LONG	34900-4226	CHB										G	CPA2	SALABLE			1	2
KEY OPTION F	BLACK	BLACK	LONG	34900-4225	CHB									F		CPA2	SALABLE			1	2
KEY OPTION E	BLACK	DARK GRAY	LONG	34900-4224	CHB								E			CPA2	SALABLE			1	2
KEY OPTION D	BLACK	LIGHT GRAY	LONG	34900-4223	CHB							D				CPA2	SALABLE			1	2
KEY OPTION C	BLACK	DARK GRAY	LONG	34900-4222	CHB							C				CPA2	SALABLE			1	2
KEY OPTION B	BLACK	STONE GRAY	LONG	34900-4221	CHB							B				CPA2	SALABLE			1	2
KEY OPTION A	BLACK	BLACK	LONG	34900-4220	CHB							A				CPA2	SALABLE			1	2
KEY OPTION G	YELLOW	LIGHT GRAY	LONG	34900-4216	CHY										G	CPA2	SALABLE			1	2
KEY OPTION F	YELLOW	BLACK	LONG	34900-4215	CHY									F		CPA2	SALABLE			1	2
KEY OPTION E	YELLOW	DARK GRAY	LONG	34900-4214	CHY								E			CPA2	SALABLE			1	2
KEY OPTION D	YELLOW	LIGHT GRAY	LONG	34900-4213	CHY							D				CPA2	SALABLE			1	2
KEY OPTION C	YELLOW	DARK GRAY	LONG	34900-4212	CHY							C				CPA2	SALABLE			1	2
KEY OPTION B	YELLOW	STONE GRAY	LONG	34900-4211	CHY							B				CPA2	SALABLE			1	2
KEY OPTION A	YELLOW	BLACK	LONG	34900-4210	CHY							A				CPA2	SALABLE			1	2
KEY OPTION G	BLACK	LIGHT GRAY	MID LENGTH	34900-4136				CHMB							G	CPA2	CONCEPT			1	2
KEY OPTION F	BLACK	BLACK	MID LENGTH	34900-4135				CHMB						F		CPA2	CONCEPT			1	2
KEY OPTION E	BLACK	DARK GRAY	MID LENGTH	34900-4134				CHMB					E			CPA2	CONCEPT			1	2
KEY OPTION D	BLACK	LIGHT GRAY	MID LENGTH	34900-4133				CHMB				D				CPA2	CONCEPT			1	2
KEY OPTION C	BLACK	DARK GRAY	MID LENGTH	34900-4132				CHMB				C				CPA2	CONCEPT			1	2
KEY OPTION B	BLACK	STONE GRAY	MID LENGTH	34900-4131				CHMB				B				CPA2	CONCEPT			1	2
KEY OPTION A	BLACK	BLACK	MID LENGTH	34900-4130				CHMB				A				CPA2	CONCEPT			1	2
KEY OPTION G	BLACK	LIGHT GRAY	LONG	34900-4126	CHB										G	CPA1	SALABLE			1	2
KEY OPTION F	BLACK	BLACK	LONG	34900-4125	CHB									F		CPA1	SALABLE			1	2
KEY OPTION E	BLACK	DARK GRAY	LONG	34900-4124	CHB								E			CPA1	SALABLE			1	2
KEY OPTION D	BLACK	LIGHT GRAY	LONG	34900-4123	CHB							D				CPA1	SALABLE			1	2
KEY OPTION C	BLACK	DARK GRAY	LONG	34900-4122	CHB							C				CPA1	SALABLE			1	2
KEY OPTION B	BLACK	STONE GRAY	LONG	34900-4121	CHB							B				CPA1	SALABLE			1	2
KEY OPTION A	BLACK	BLACK	LONG	34900-4120	CHB							A				CPA1	SALABLE			1	2
KEY OPTION G	YELLOW	LIGHT GRAY	LONG	34900-4116	CHY										G	CPA1	SALABLE			1	2
KEY OPTION F	YELLOW	BLACK	LONG	34900-4115	CHY									F		CPA1	SALABLE			1	2
KEY OPTION E	YELLOW	DARK GRAY	LONG	34900-4114	CHY								E			CPA1	SALABLE			1	2
KEY OPTION D	YELLOW	LIGHT GRAY	LONG	34900-4113	CHY							D				CPA1	SALABLE			1	2
KEY OPTION C	YELLOW	DARK GRAY	LONG	34900-4112	CHY							C				CPA1	SALABLE			1	2
KEY OPTION B	YELLOW	STONE GRAY	LONG	34900-4111	CHY							B				CPA1	SALABLE			1	2
KEY OPTION A	YELLOW	BLACK	LONG	34900-4110	CHY							A				CPA1	SALABLE			1	2

DESCRIPTION	COLOR	MATERIAL	COMMENTS
RING SEAL	LIGHT BLUE	INHERENTLY LUBRICATED SILICONE	
ISL	NATURAL	SPS/NYLON GF20	
CPA2	RED	PBT GF30	
CPA1	RED	PBT GF30	
TERMINAL HOUSING KEYING OPTION G	LIGHT GRAY	SPS/NYLON GF20	
TERMINAL HOUSING KEYING OPTION F	BLACK	SPS/NYLON GF20	
TERMINAL HOUSING KEYING OPTION E	DARK GRAY	SPS/NYLON GF20	
TERMINAL HOUSING KEYING OPTION D	LIGHT GRAY	SPS/NYLON GF20	
TERMINAL HOUSING KEYING OPTION C	DARK GRAY	SPS/NYLON GF20	
TERMINAL HOUSING KEYING OPTION B	STONE GRAY	SPS/NYLON GF20	
TERMINAL HOUSING KEYING OPTION A	BLACK	SPS/NYLON GF20	
MID LENGTH CONNECTOR HOUSING	BLACK	SPS/NYLON GF20	
CONNECTOR HOUSING	BLACK	SPS/NYLON GF20	UPDATED LATCH
CONNECTOR HOUSING	YELLOW	SPS/NYLON GF20	UPDATED LATCH
WIRE DRESS COVER STRAIGHT	BLACK	PA66	
WIRE DRESS COVER LEFT	BLACK	PA66	SOLD SEPARATELY SEE SD-160091-0001
WIRE DRESS COVER RIGHT	BLACK	PA66	
DESCRIPTION	COLOR	MATERIAL	COMMENTS

ABREVIATION	COMPONENT
CHY	CONNECTOR HOUSING YELLOW
CHB	CONNECTOR HOUSING BLACK
CHBM	CONNECTOR HOUSING BLACK MID SHROUD
A	TERMINAL HOUSING KEY A
B	TERMINAL HOUSING KEY B
C	TERMINAL HOUSING KEY C
D	TERMINAL HOUSING KEY D
E	TERMINAL HOUSING KEY E
F	TERMINAL HOUSING KEY F
G	TERMINAL HOUSING KEY G
CPA1	CPA VERSION 1
CPA2	CPA VERSION 2
ISL	ISL
RING SEAL	RING SEAL
1	USCAR INTERFACE 120-S-004-1-Z02 SEE NOTE 1f FOR WEBSITE
2	MOLEX INLINE BLADE CONNECTOR SD-34899-6001

QUALITY SYMBOLS	THIS DRAWING CONTAINS INFORMATION THAT IS PROPRIETARY TO MOLEX ELECTRONIC TECHNOLOGIES, LLC AND SHOULD NOT BE USED WITHOUT WRITTEN PERMISSION EC NO: 639764 DRWN: GELIOTT01 CHKD: KBORUSZEWSKI REV APPR: KBORUSZEWSKI DIMENSION UNITS: mm SCALE: 5:1 DRWN BY: MVANSLAMBROU DATE: 2012/05/03 CHKD BY: GGA DATE: 2012/12/13 APPR BY: GGA DATE: 2012/12/13 DRAWING SIZE: D THIRD ANGLE PROJECTION:	 1.2MM 1X4, 1X6 RECPT. SEALED ASSEMBLY CABLE SEAL 626759 - CHANGED CPA2 TO CPA1. ROLLING CHANGE AT GM. PRODUCT CUSTOMER DRAWING SERIES: 34900 MATERIAL NUMBER: SEE BOM CUSTOMER: GENERAL MARKET DOCUMENT NUMBER: SD-34900-6001 DOC TYPE: PSD DOC PART: 001 SHEET NUMBER: 5 OF 7
------------------------	---	---

1X6 RECEPTACLE SEALED ASSEMBLY BOM SHEET 1

KEYING OPTION D	BLACK	STONE GRAY	MID LENGTH	34900-6230			CHMB			D	CPA2	SALABLE		1		3
KEYING OPTION C	BLACK	DARK GRAY	MID LENGTH	34900-6221			CHMB			C	CPA2	SALABLE		1		3
KEYING OPTION B	BLACK	LIGHT GRAY	MID LENGTH	34900-6228			CHMB		B		CPA2	SALABLE		1		3
KEYING OPTION A	BLACK	BLACK	MID LENGTH	34900-6219			CHMB	A			CPA2	SALABLE		1		3
KEYING OPTION D	BLACK	STONE GARY	LONG	34900-6243			CHLB			D	CPA2	SALABLE		1	2	
KEYING OPTION C	BLACK	DARK GRAY	LONG	34900-6242			CHLB			C	CPA2	SALABLE		1	2	
KEYING OPTION B	BLACK	LIGHT GRAY	LONG	34900-6241			CHLB		B		CPA2	SALABLE		1	2	
KEYING OPTION A	BLACK	BLACK	LONG	34900-6240			CHLB	A			CPA2	SALABLE		1	2	
KEYING OPTION D	YELLOW	STONE GRAY	LONG	34900-6213	CHLY					D	CPA2	SALABLE		1	2	
KEYING OPTION C	YELLOW	DARK GRAY	LONG	34900-6212	CHLY					C	CPA2	SALABLE		1	2	
KEYING OPTION B	YELLOW	LIGHT GRAY	LONG	34900-6211	CHLY				B		CPA2	SALABLE		1	2	
KEYING OPTION A	YELLOW	BLACK	LONG	34900-6210	CHLY				A		CPA2	SALABLE		1	2	
KEYING OPTION D	BLACK	STONE GRAY	MID LENGTH	34900-6130			CHMB			D	CPA1	SALABLE		1		3
KEYING OPTION C	BLACK	DARK GRAY	MID LENGTH	34900-6121			CHMB			C	CPA1	SALABLE		1		3
KEYING OPTION B	BLACK	LIGHT GRAY	MID LENGTH	34900-6128			CHMB		B		CPA1	SALABLE		1		3
KEYING OPTION A	BLACK	BLACK	MID LENGTH	34900-6119			CHMB	A			CPA1	SALABLE		1		3
KEYING OPTION D	BLACK	STONE GARY	LONG	34900-6143			CHLB			D	CPA1	SALABLE		1	2	
KEYING OPTION C	BLACK	DARK GRAY	LONG	34900-6142			CHLB			C	CPA1	SALABLE		1	2	
KEYING OPTION B	BLACK	LIGHT GRAY	LONG	34900-6141			CHLB		B		CPA1	SALABLE		1	2	
KEYING OPTION A	BLACK	BLACK	LONG	34900-6140			CHLB	A			CPA1	SALABLE		1	2	
KEYING OPTION D	YELLOW	STONE GRAY	LONG	34900-6113	CHLY					D	CPA1	SALABLE		1	2	
KEYING OPTION C	YELLOW	DARK GRAY	LONG	34900-6112	CHLY					C	CPA1	SALABLE		1	2	
KEYING OPTION B	YELLOW	LIGHT GRAY	LONG	34900-6111	CHLY				B		CPA1	SALABLE		1	2	
KEYING OPTION A	YELLOW	BLACK	LONG	34900-6110	CHLY				A		CPA1	SALABLE		1	2	
ASSEMBLY DESCRIPTION	CONNECTOR HOUSING COLOR	TERMINAL CAVITY COLOR	OUTER HOUSING SHROUD LENGTH	ASSEMBLY PART NUMBER				A	B	C	D	CPA1	CPA2	STATUS	COMMENTS	DESIGNED TO MATE WITH DEVICE CONNECTION

DESCRIPTION	COLOR	MATERIAL	COMMENTS
RING SEAL	BURNT RED	INHERENTLY LUBRICATED SILICONE	
ISL	NATURAL	SPS/NYLON GF20	
CPA2	RED	PBT GF30	
CPA1	RED	PBT GF30	
TERMINAL HOUSING KEYING OPTION D	STONE GRAY	SPS/NYLON GF20	
TERMINAL HOUSING KEYING OPTION C	DARK GRAY	SPS/NYLON GF20	
TERMINAL HOUSING KEYING OPTION B	LIGHT GRAY	SPS/NYLON GF20	
TERMINAL HOUSING KEYING OPTION A	BLACK	SPS/NYLON GF20	
CONNECTOR HOUSING MID LENGTH	BLACK	SPS/NYLON GF20	UPDATED LATCH
CONNECTOR HOUSING LONG	BLACK	SPS/NYLON GF20	UPDATED LATCH
CONNECTOR HOUSING LONG	YELLOW	SPS/NYLON GF20	UPDATED LATCH
WIRE DRESS COVER STRAIGHT	BLACK	PA66	SOLD SEPARATELY SEE SD-160091-0001
WIRE DRESS COVER LEFT	BLACK	PA66	
WIRE DRESS COVER RIGHT	BLACK	PA66	

BOM / APPLICABLE COMPONENTS TABLE

LEGEND TABLE

ABREVIATION	COMPONENT
CHLY	CONNECTOR HOUSING LONG YELLOW
CHLB	CONNECTOR HOUSING LONG BLACK
CHMB	CONNECTOR HOUSING MEDIUM BLACK
A	TERMINAL HOUSING KEY A
B	TERMINAL HOUSING KEY B
C	TERMINAL HOUSING KEY C
D	TERMINAL HOUSING KEY D
CPA1	CPA VERSION 1
CPA2	CPA VERSION 2
ISL	ISL
RING SEAL	RING SEAL
1	USCAR INTERFACE 120-S-006-1-Z02 SEE NOTE 1f FOR WEBSITE
2	MOLEX INLINE BLADE CONNECTOR SD-34899-6001
3	USCAR INTERFACE 120-S-006-1-Z04 SEE NOTE 1f FOR WEBSITE

QUALITY SYMBOLS 	THIS DRAWING CONTAINS INFORMATION THAT IS PROPRIETARY TO MOLEX ELECTRONIC TECHNOLOGIES, LLC AND SHOULD NOT BE USED WITHOUT WRITTEN PERMISSION				
	EC NO: 639764 DRWN: GELLIOTTO1 CHKD: KBORUSZEWSKI REV APPR: KBORUSZEWSKI	2020/06/17 2020/06/23 2020/06/23	GENERAL TOLERANCES (UNLESS SPECIFIED) ANGULAR TOL ± ° 4 PLACES ± 3 PLACES ± 2 PLACES ± 0.1 1 PLACE ± 0.2 0 PLACES ± 0.5	DIMENSION UNITS: mm SCALE: 2:1 DRWN BY: MVANSLAMBROU DATE: 2012/05/03 CHKD BY: DATE: APPR BY: GGA DATE: 2012/12/13	
	DRAFT WHERE APPLICABLE MUST REMAIN WITHIN DIMENSIONS			D D 	1.2MM 1X4, 1X6 RECPT. SEALED ASSEMBLY CABLE SEAL 626759 - CHANGED CPA2 TO CPA2. ROLLING CHANGE AT GM.
	PRODUCT CUSTOMER DRAWING		SERIES: 34900 MATERIAL NUMBER: SEE TABLE CUSTOMER: GENERAL MARKET	DOCUMENT NUMBER: SD-34900-6001 DOC TYPE: PSD DOC PART: 001 SHEET NUMBER: 6 OF 7	

OBSELETE PART NUMBERS

34900-4026	OBSELETE
34900-4025	OBSELETE
34900-4024	OBSELETE
34900-4023	OBSELETE
34900-4022	OBSELETE
34900-4021	OBSELETE
34900-4020	OBSELETE
34900-4016	OBSELETE
34900-4015	OBSELETE
34900-4014	OBSELETE
34900-4013	OBSELETE
34900-4012	OBSELETE
34900-4011	OBSELETE
34900-4010	OBSELETE
ASSEMBLY PART NUMBER	STATUS

1X4

34900-6030	OBSELETE
34900-6021	OBSELETE
34900-6028	OBSELETE
34900-6019	OBSELETE
34900-6043	OBSELETE
34900-6042	OBSELETE
34900-6041	OBSELETE
34900-6040	OBSELETE
34900-6013	OBSELETE
34900-6012	OBSELETE
34900-6011	OBSELETE
34900-6010	OBSELETE
ASSEMBLY PART NUMBER	STATUS

1X6

THIS DRAWING CONTAINS INFORMATION THAT IS PROPRIETARY TO MOLEX ELECTRONIC TECHNOLOGIES, LLC AND SHOULD NOT BE USED WITHOUT WRITTEN PERMISSION									
DIMENSION UNITS	SCALE	Material:			molex				
mm	1:1	Heat treat:							
GENERAL TOLERANCES (UNLESS SPECIFIED)		Finish:			1.2MM 1X4, 1X6 RECPT. SEALED ASSEMBLY CABLE SEAL 626759 - CHANGED CPA2 TO CPA2. ROLLING CHANGE AT GM.				
ANGULAR TOL ± °		CURRENT REV DESC:							
4 PLACES	±	EC NO: 639764 DRWN: GELLIOTT01 2020/06/17 CHK'D: KBORUSZEWSKI 2020/06/23 APPR: KBORUSZEWSKI 2020/06/23 ORIG DRWN BY: MVANSLAMBROU 2012/05/03			PRODUCT CUSTOMER DRAWING				
3 PLACES	±				DOCUMENT NUMBER				
2 PLACES	± 0.1				SD-34900-6001				
1 PLACE	± 0.2				PSD 001 A17				
0 PLACES	± 0.5				REVISION				
TOOL NUMBER	THIRD ANGLE PROJECTION	DRAWING	SERIES	MATERIAL NUMBER	CUSTOMER		SHEET NUMBER		
		D-SIZE	34900		GENERAL MARKET		7 OF 7		