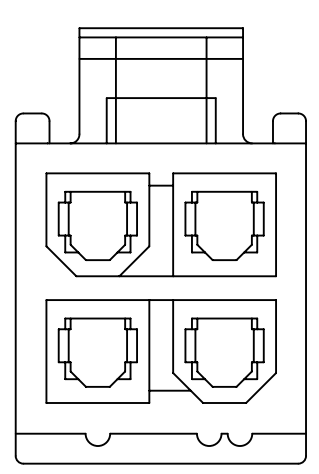


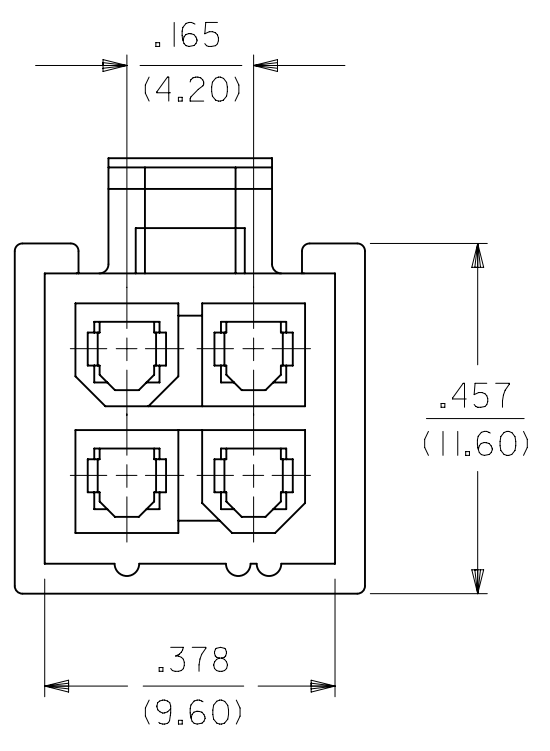
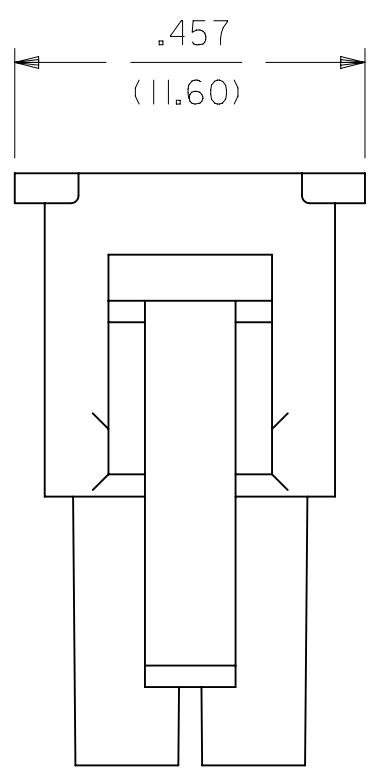
PART NUMBER	ENG. NUMBER	MATERIAL (SEE NOTE 1)
39-01-3028	5557-02R1-210	94V-0
39-01-3048	5557-04R1-210	94V-0
39-01-3022	5557-02R1	94V-2
39-01-3042	5557-04R1	94V-2
39-01-6026	5557-02R1-BL	94V-2, BLACK
NO E.D.P.	5557-04R1-BL	94V-2, BLACK

LEGEND:

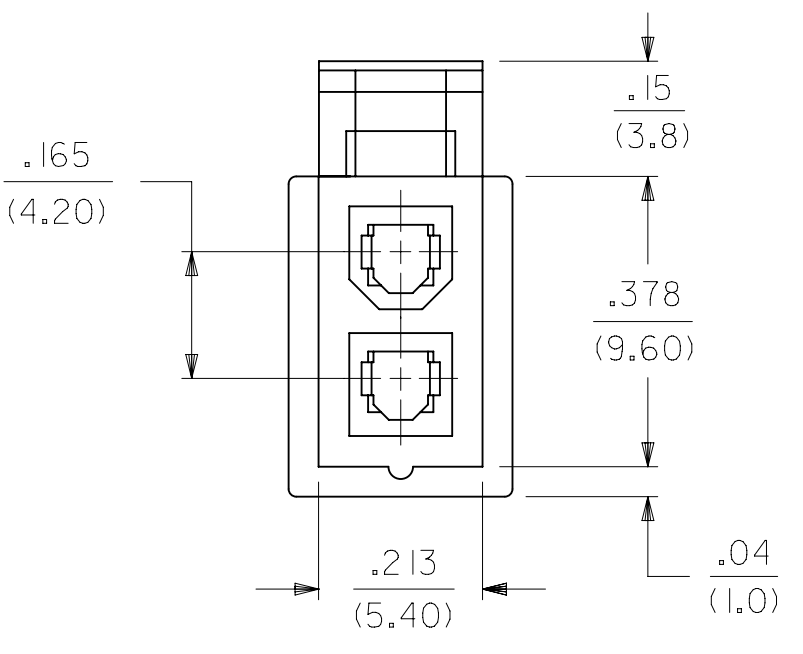
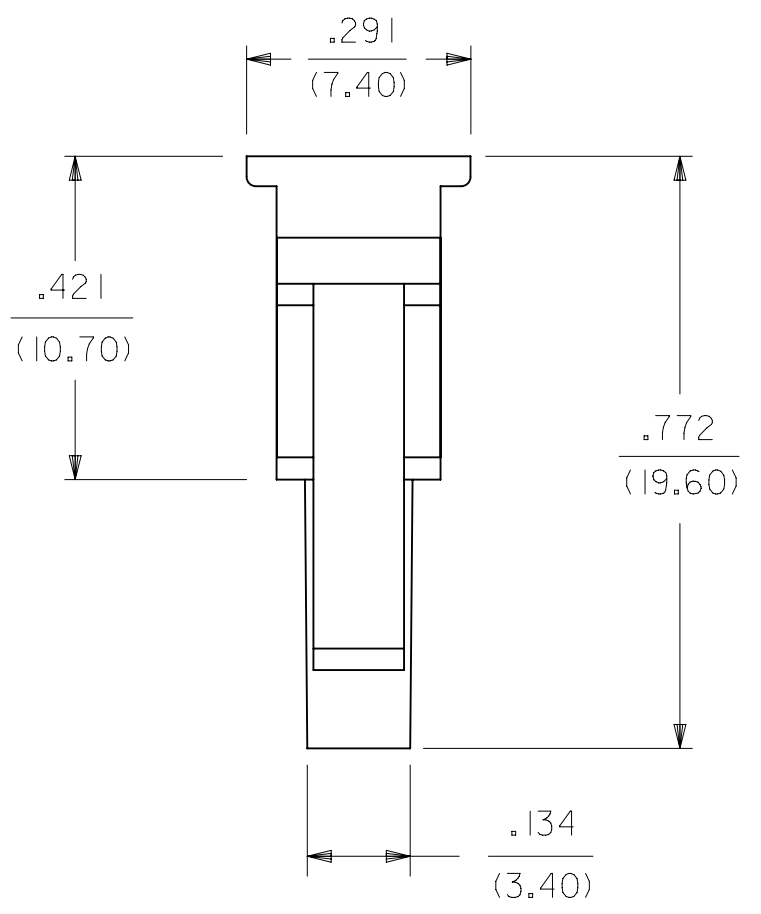
5557-*** R1-****
 BASE NUMBER
 CKT. SIZE
 RECEPTACLE
 (WITH SIDE PULL TABS)
 MATERIAL OPTION:
 (SEE NOTE 1)



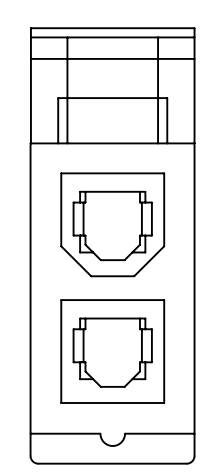
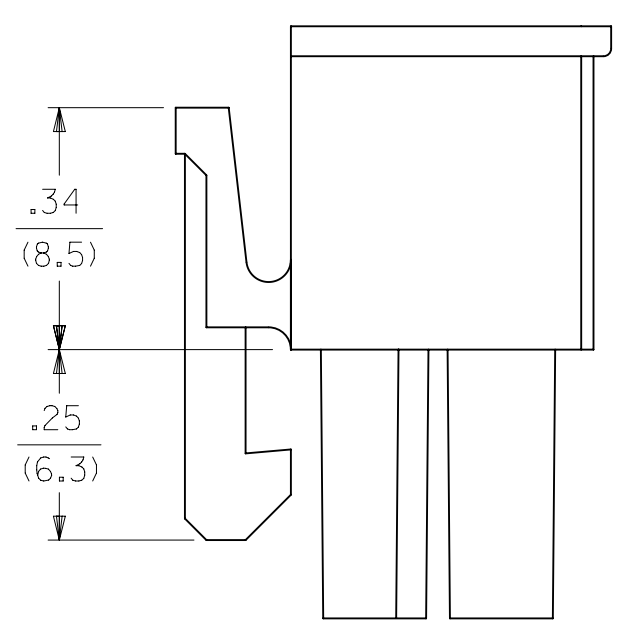
5557-04R-**
 (WITHOUT SIDE PULL TABS)
 (SHOWN FOR REFERENCE ONLY)



5557-04R1-**



5557-02R1-**



5557-02R-**
 (WITHOUT SIDE PULL TABS)
 (SHOWN FOR REFERENCE ONLY)

NOTES:

- MATERIAL:
 "BLANK" = NYLON 6/6, U.L. 94V-2. COLOR: NATURAL.
 "210" = NYLON 6/6, U.L. 94V-0. COLOR: NATURAL.
 "BL" = NYLON 6/6, U.L. 94V-2. COLOR: BLACK.
- FINISH: NOT APPLICABLE
- PRODUCT SPECIFICATION: PS-5556-001.
- PARTS TO BE PACKAGED PER PK-5557-002
- PART MATES WITH MOLEX PLUG #5559.
- PART IS FOR USE WITH MOLEX FEMALE TERMINAL #5556.
- PART IS NOT DESIGNED FOR CURRENT SHARING.
- CONNECTORS ARE NOT TO BE MATED OR UNMATED WHILE CIRCUITS ARE LIVE.
- WIRES ARE TO BE DRESSED IN SUCH A MANNER TO ALLOW THE TERMINALS TO FLOAT FREELY IN THE POCKET.
- PART CONFORMS TO CLASS "B" REQUIREMENTS OF COSMETIC SPECIFICATION PS-45499-002.
- BUBBLE IS ACCEPTABLE ON LATCH AREA.

THIS DRAWING CONTAINS INFORMATION THAT IS PROPRIETARY TO MOLEX ELECTRONIC TECHNOLOGIES, LLC AND SHOULD NOT BE USED WITHOUT WRITTEN PERMISSION

DIMENSION UNITS		SCALE		CURRENT REV DESC:	
INCH		NTS			
GENERAL TOLERANCES (UNLESS SPECIFIED)					
	MM	INCH			
4 PLACES	±	±		EC NO: 719028	
3 PLACES	±	± 0.015		DRWN: JERRYW8 2022/08/22	
2 PLACES	± 0.38	± 0.015		CHK'D: XQZHANG 2022/09/01	
1 PLACE	± 0.38	±		APPR: XQZHANG 2022/09/01	
0 PLACES	±	±		INITIAL REVISION:	
ANGULAR TOL ± 0.5°				DRWN: GEP 1990/08/08	
DRAFT WHERE APPLICABLE MUST REMAIN WITHIN DIMENSIONS		THIRD ANGLE PROJECTION		APPR: FSMITH 2012/05/04	
		DRAWING C-SIZE		SERIES 5557	
DOCUMENT STATUS P1		RELEASE DATE 2022/09/01 16:35:15		DOCUMENT NUMBER 55570001-SD	
		THIS DRAWING REPLACES DRAWING SD-5557-02R1-**		DOC TYPE PSD	
				DOC PART 000	
				REVISION A1	
				MATERIAL NUMBER SEE CHART	
				CUSTOMER GENERAL MARKET	
				SHEET NUMBER 1 OF 1	



2 & 4 CKT RECEPTACLE,
 MINI-FIT JR. SERIES WITH SIDE TABS

PRODUCT CUSTOMER DRAWING