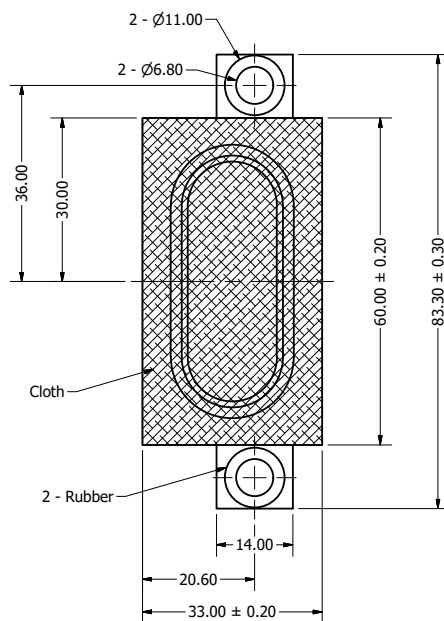
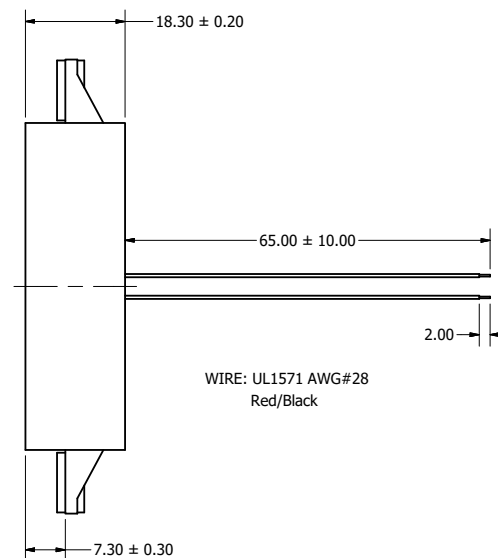


Part Number:	SC600204-1	
	DRAWN	4/5/2016
	CHECKED	4/6/2016
Description:	P.D.	4/6/2016
	Dynamic Speaker	APPROVED
	J.S.	4/6/2016
<small>This document contains data proprietary to DB Unlimited. Any use or reproduction, in any form, without prior written permission of DB Unlimited is prohibited. All terms and conditions can be found at www.dbunlimitedco.com</small>		

Top View



Side View



Items	Specifications	Conditions
Sound Pressure Level	100	dB (@ 10cm)
Resonant Frequency	250	Hz
Frequency Range	200 ~ 20,000	Hz
Nominal Power	2	W
Max. Power	4	W
Impedance	4	Ω
Cone Material	Cloth	
Mount Type	Flange Mount	
Storage Temperature	-30 ~ +70	$^{\circ}\text{C}$
Operating Temperature	-20 ~ +60	$^{\circ}\text{C}$
Weight	7.6	g

REVISION HISTORY			
REV	DESCRIPTION	DATE	APPROVED
	Released from Engineering	12/11/2013	J.S.
1	Updated to new template	4/6/2016	J.S.

- NOTES
- 1) All dimensions are in mm unless otherwise noted
 - 2) All tolerances are ± 0.5 mm unless otherwise noted
 - 3) All parts meet RoHS
 - 4) Subject to change or redrawn without notice