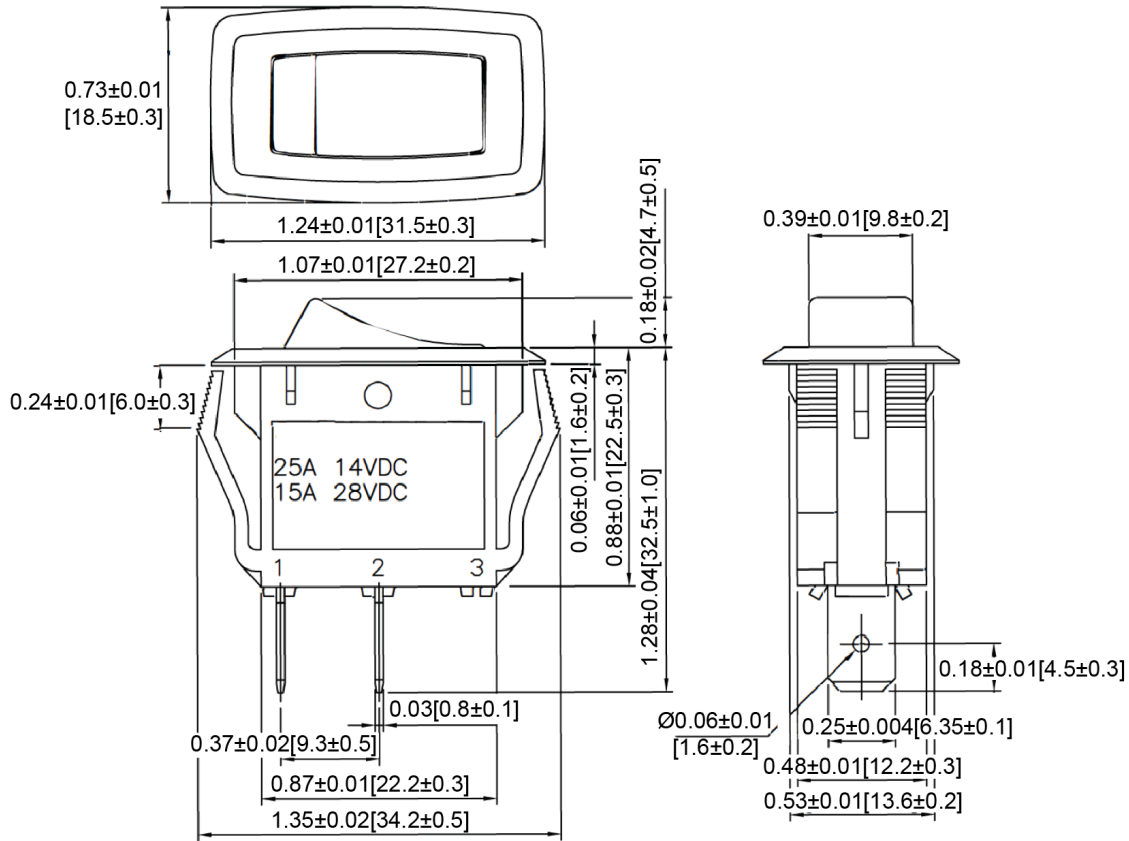
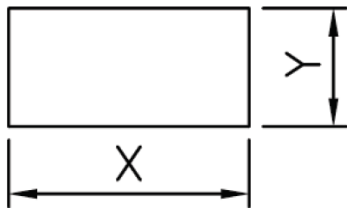


Mechanical Dimensions: Inches [mm]

Tolerances ± 0.012 [0.3] Unless Otherwise Specified



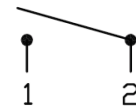
Mounting Hole



Thickness	X	Y
0.03~0.12 [0.75~3.0]	1.09-0.004 [27.6-0.1]	0.51+0.004 [13.0+0.1]
0.12~0.16 [3.0-4.0]	1.09-0.004 [27.8-0.1]	0.51+0.004 [13.0+0.1]
0.16~0.20 [4.0-5.0]	1.10-0.004 [28.0-0.1]	0.51+0.004 [13.0+0.1]

Circuit Diagram

2P SPST ON-OFF



Electrical Specifications

Rating 16(4)A 125/250V AC 20A 125V AC 1/3HP, 10(4)A 250V AC

Contact Resistance 50m ohm Max

Insulation Resistance DC 500V 100M ohm Min

Dielectric Strength AC 1500V 1 minute

Operation Temperature -25°C~85°C

Material Specifications

Frame Nylon#66, Black

Actuator Nylon#66, Black

Rev	Date of issue	Revision Notes	Designed	Approved
B	06-08-2021	Initial Drawing	RC	OF