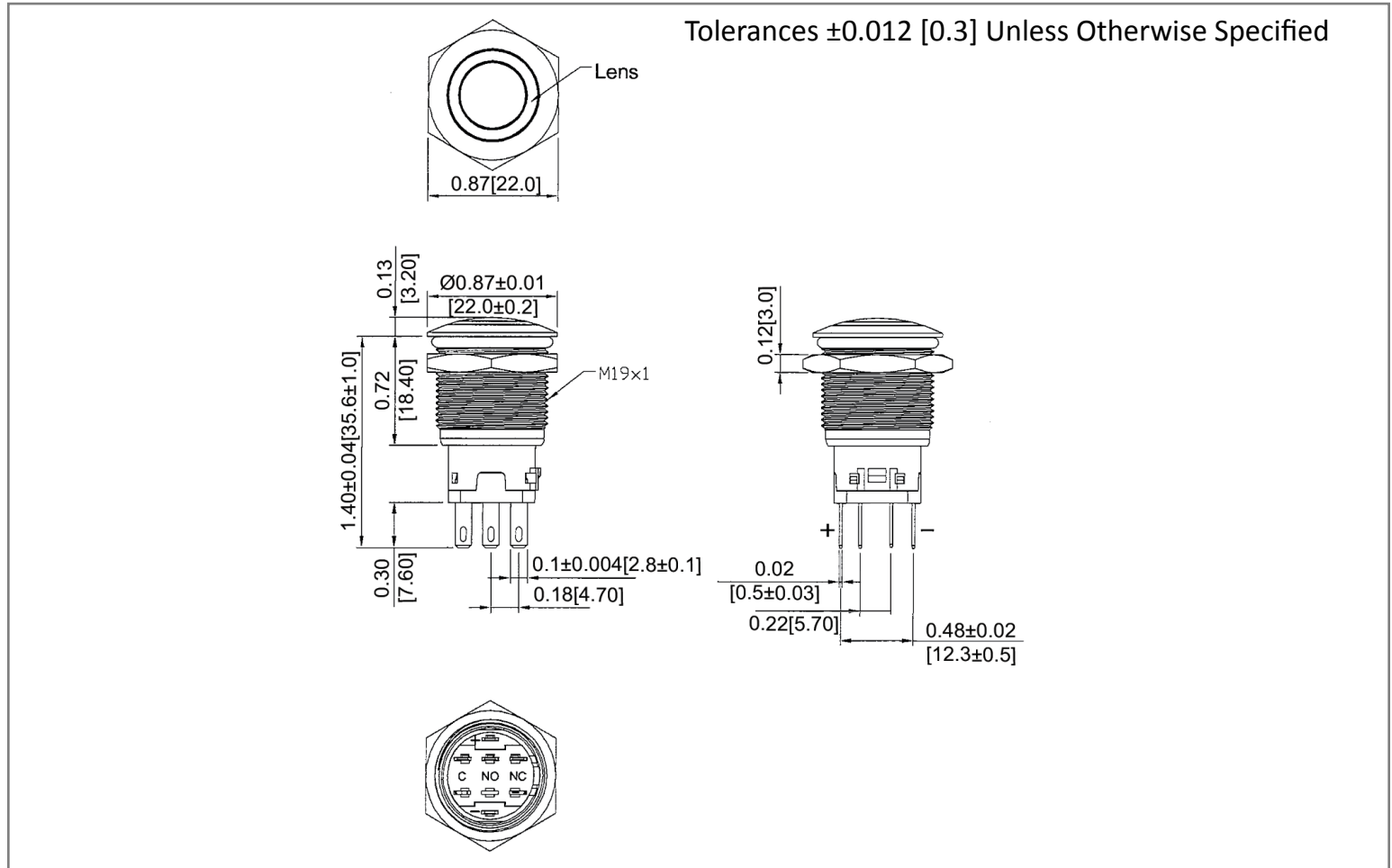
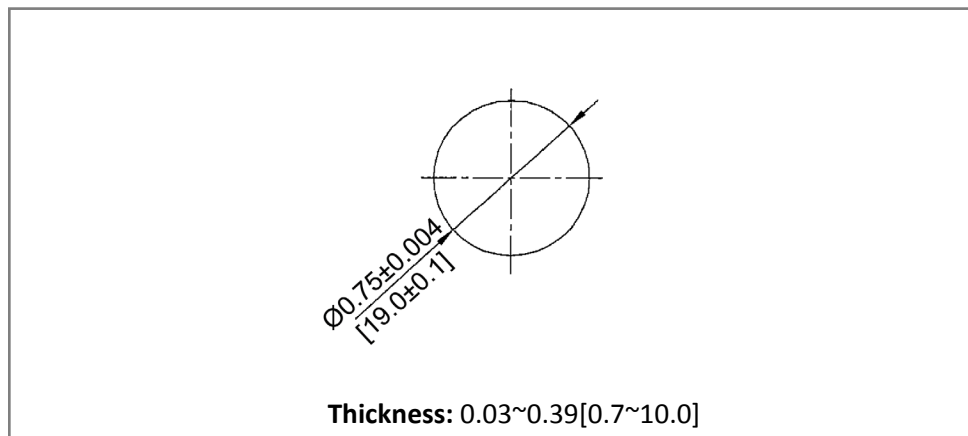


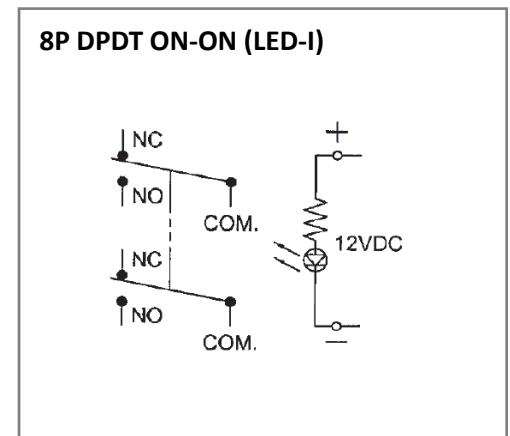
Mechanical Dimensions: Inches [mm]



Mounting Hole



Circuit Diagram



Electrical Specifications

Rating	10A 14V DC
Contact Resistance	50m ohm Max.
Insulation Resistance	DC 500V 100M ohm Min
Dielectric Strength	AC 500V 1 minute
Operation Temperature	-20°C ~ 70°C

Material Specifications

Frame	SUS304
Lamp	Green
Actuator	SUS304, LENS Green Clear, PC
Housing	Black, PA#66
Bottom	Black, PBT+15%GF

Push Switch

PD-2D-DC-9-GL



Rev	Date of issue	Revision Notes	Designed	Approved
A	05-18-2021	Initial Drawing	RC	OF