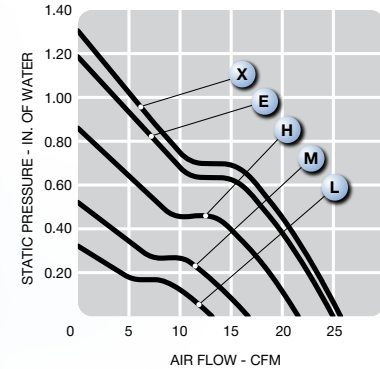
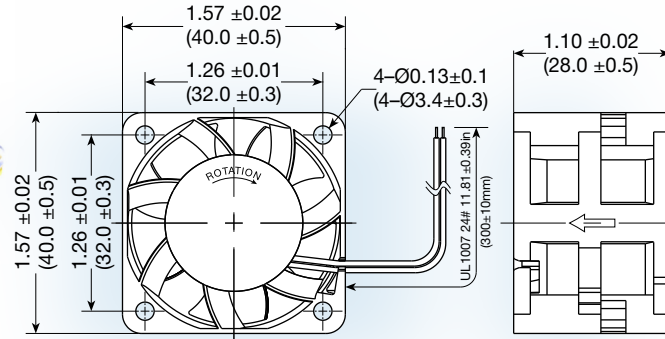


## MH4028 series



(40 x 40 x 28 mm)

1.57 x 1.57 x 1.10 inches

Features: polarity protection, auto-restart

Construction: UL94V-0 plastic impeller and plastic frame

Bearing option: ball bearing

Connection: UL1007AWG#24 lead wires

Frame: ribbed

Protection: thermal

Options:

- tachometer;
- locked rotor alarm;
- PWM speed control;
- environmental protection

Model No.	Rated Voltage VDC	Current A		Speed RPM	Air Volume		Max. Static Pressure (H <sub>2</sub> O)		Sound Noise dba	Weight g
		12	24		M <sup>3</sup> /Min.	CFM	MM	INCH		
MH4028L	12/24	0.17	0.05	8,000	0.36	12.81	8.38	0.33	39	40
MH4028M	12/24	0.25	0.14	10,000	0.46	16.29	13.21	0.52	44	40
MH4028H	12/24	0.38	0.18	13,000	0.60	21.12	22.35	0.88	52	40
MH4028E	12	0.48	-	15,000	0.69	24.45	29.97	1.18	55	40
MH4028X	12	0.6	-	16,500	0.71	25.15	33.52	1.32	63	40