

Customer Information Sheet

DRAWING No.: M80-305 TO M80-307

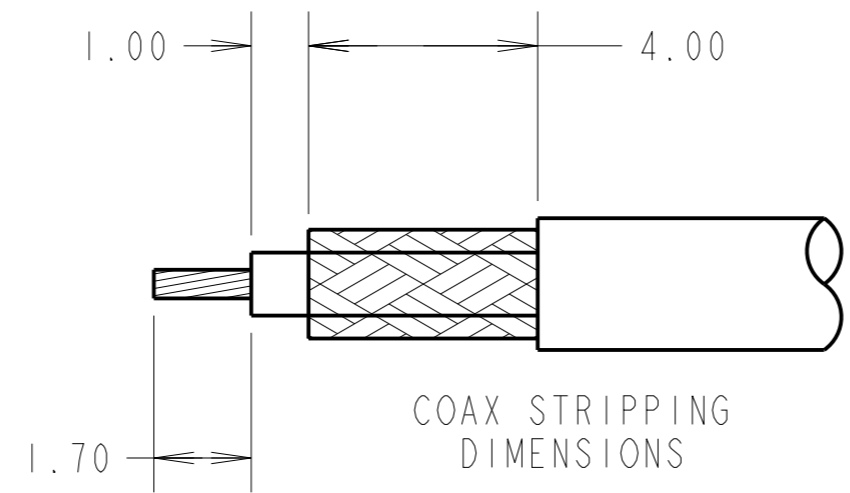
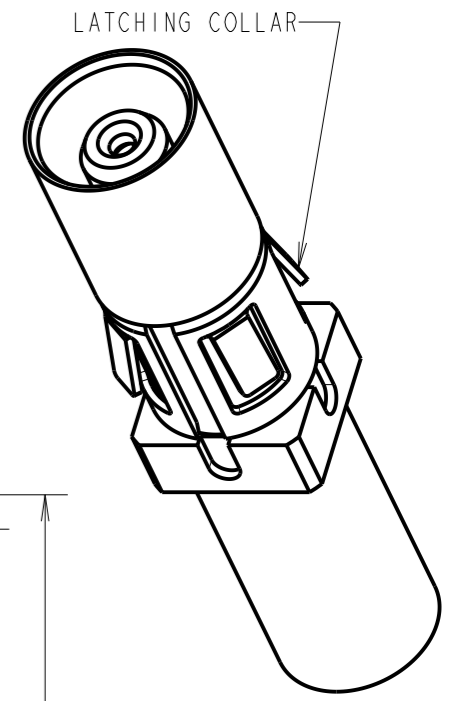
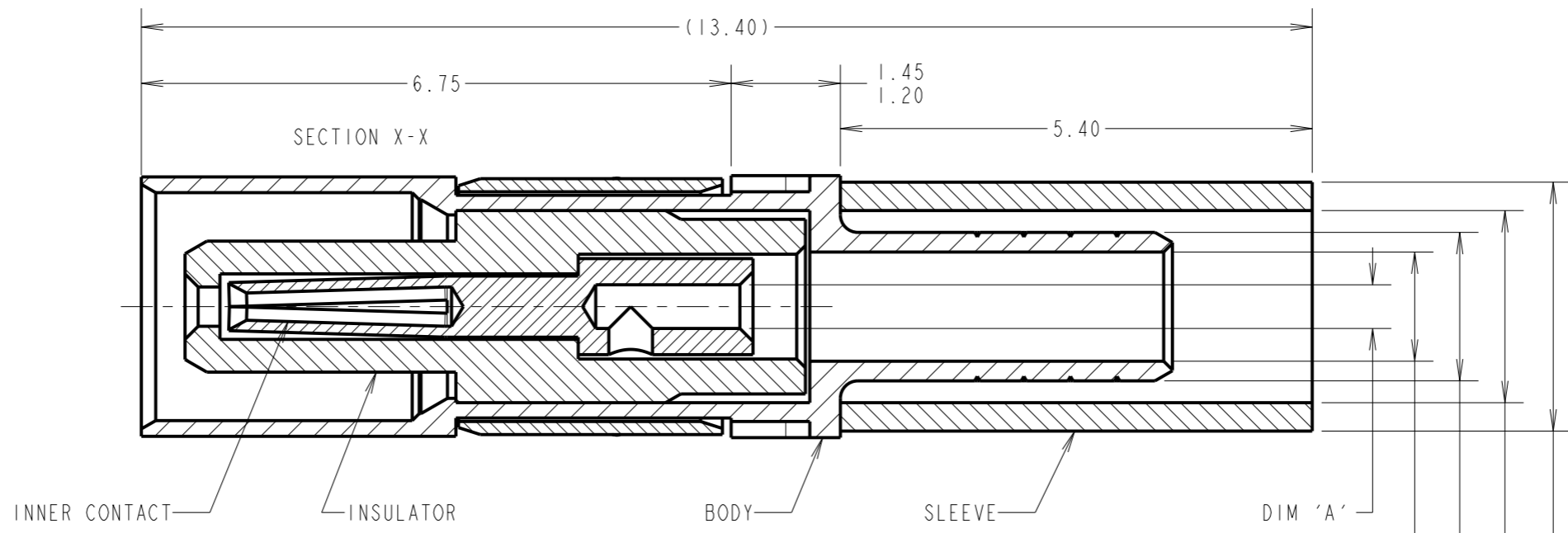
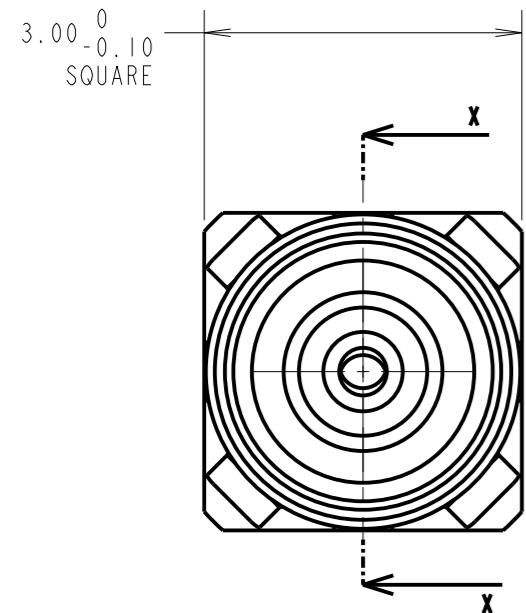
IF IN DOUBT - ASK

©

NOT TO SCALE

THIRD ANGLE PROJECTION

ALL DIMENSIONS IN mm



- NOTES:
- CONNECTOR COMES SUPPLIED AS A KIT OF PARTS: BODY, INSULATOR, AND LATCHING COLLAR ARE PRE-ASSEMBLED, SLEEVE AND INNER CONTACT ARE SEPARATE.
 - RECOMMENDED HAND CRIMP TOOL FOR INNER CONTACT = Z80-292 WITH POSITIONER Z80-291. RECOMMENDED HAND CRIMP TOOL AND DIE SET FOR SLEEVE = Z80-293.
 - CONTACT EXTRACTION TOOL = Z80-290
 - FOR FULL SPECIFICATION SEE COMPONENT SPECIFICATION C005XX (LATEST ISSUE).

PART No.	CABLE DIAMETER (TYPE)	DIM 'A'	DIM 'B'	DIM 'C'	DIM 'D'	DIM 'E'
M80-305	∅2.0mm (RG178)	∅0.50 ±0.05	∅1.25	∅1.70	∅2.20	∅2.85
M80-306	∅2.4mm (PTFE CELLULAR)	∅0.35 +0.05/-0	∅1.25	∅1.70	∅2.70	∅3.20
M80-307	∅2.7mm (RG174, 179, 316)	∅0.60 +0.06/-0	∅1.75	∅2.35	∅2.85	∅3.50

RTP	9	01.02.23	32253
NAME	ISS.	DATE	CN/CO
APPROVED:		R.PORTLOCK	
CHECKED:		M.PLESTED	
DRAWN:		W. J. BOURNE	
CUSTOMER REF.:			
ASSEMBLY DRG:			

HARWIN
www.harwin.com
technical@harwin.com

THIS DRAWING AND ANY INFORMATION OR DESCRIPTIVE MATTER SET OUT HEREON ARE CONFIDENTIAL AND COPYRIGHT PROPERTY OF THE HARWIN GROUP AND MUST NOT BE DISCLOSED, LOANED, COPIED OR USED FOR MANUFACTURING, TENDERING OR FOR ANY OTHER PURPOSE WITHOUT THEIR WRITTEN PERMISSION.

TOLERANCES
X. = ±1mm
X.X = ±0.50mm
X.XX = ±0.20mm
X.XXX = ±0.01mm
ANGLES = ±5°
UNLESS STATED

MATERIAL:
COPPER ALLOY WITH PTFE INSULATOR
FINISH: GOLD, NICKEL COLLAR
S/AREA: mm²

TITLE: DATAMATE MIX-TEK COAX CONTACT FEMALE STRAIGHT CRIMP
DRAWING NUMBER: **M80-305 TO M80-307**
SHT 2 OF 2