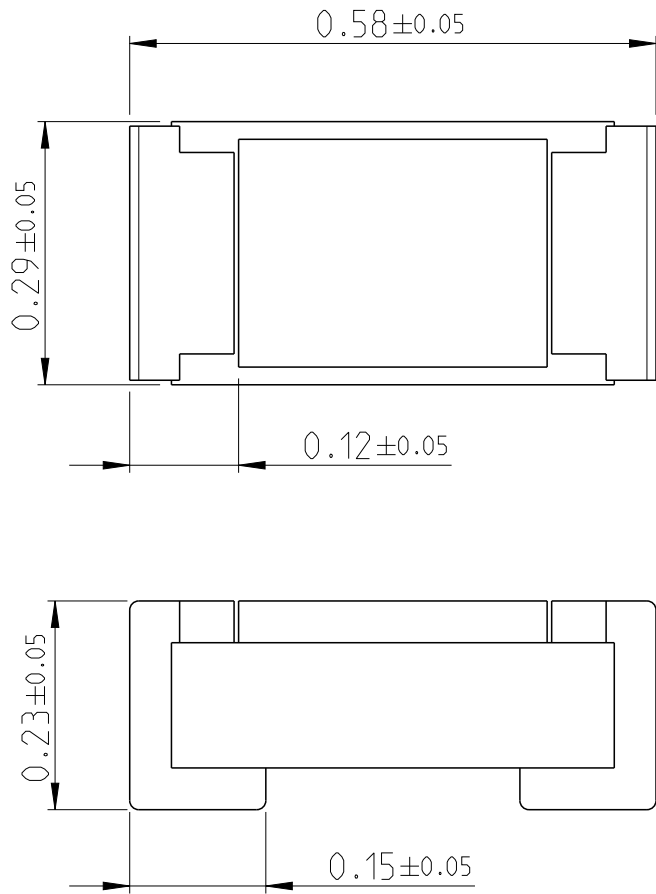
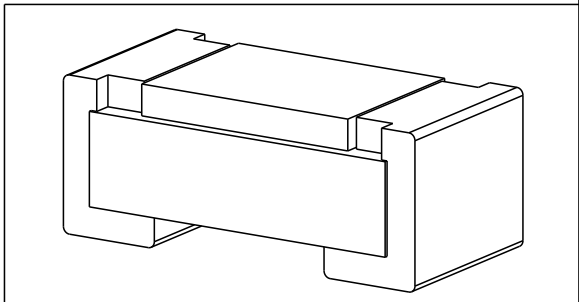


REVISIONS					
P	LTR	DESCRIPTION	DATE	DWN	APVD
	BA	NEW DRAWING	22APR2020	SB	AP



FOR FURTHER INFORMATION SEE DATA SHEET FOR PRECISION THIN FILM PRECISION RESISTORS- CPF SERIES

RoHS Compliant



© 2020 TE Connectivity. All Rights Reserved.

DIMENSIONS: mm	DWN	SHRICHARANA B	22APR2020	MATERIAL	-	FINISH	-
	CHK	ALLAN P	22APR2020				
TOLERANCES UNLESS OTHERWISE SPECIFIED:	APVD	ALLAN P	22APR2020				
	0 PLC	±	PRODUCT SPEC	NAME THIN FILM PRECISION RESISTORS			
1 PLC	±0.5	-	APPLICATION SPEC	TYPE CPF 0201 SERIES			
2 PLC	±0.13	-	-	SIZE	A 4	CAGE CODE	00779
3 PLC	±0.013	-	-	DRAWING NO	C=2176447		RESTRICTED TO
4 PLC	±0.0001	-	-				
ANGLES	±	-	-				
	WEIGHT	0.00014 Gram		SCALE	40:1	SHEET	1 OF 1
	CUSTOMER DRAWING				REV	BA	