



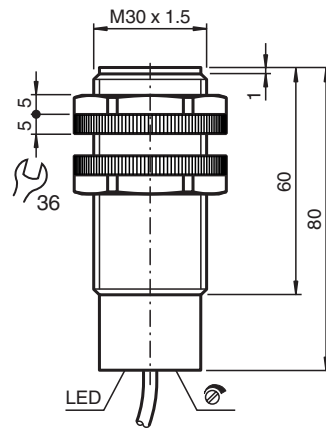
## Capacitive sensor

### CJ10-30GK-WS

- 10 mm non-flush
- The switching distance can be set over a wide range with the potentiometer



## Dimensions



## Technical Data

General specifications		
Switching function		Normally open (NO)
Output type		Two-wire
Rated operating distance	$s_n$	10 mm
Installation		non-flush
Output polarity		AC
Assured operating distance	$s_a$	0 ... 7.2 mm
Output type		2-wire
Nominal ratings		
Installation conditions		
A		18 mm
B		10 mm
C		20 mm
F		60 mm
Operating voltage	$U_B$	20 ... 253 V AC <sup>1)</sup>
Switching frequency	f	0 ... 10 Hz
Hysteresis	H	2 ... 10 typ. 5 %

Release date: 2022-06-21 Date of issue: 2022-06-21 Filename: 020051\_eng.pdf

Refer to "General Notes Relating to Pepperl+Fuchs Product Information".

Pepperl+Fuchs Group  
www.pepperl-fuchs.com

USA: +1 330 486 0001  
fa-info@us.pepperl-fuchs.com

Germany: +49 621 776 1111  
fa-info@de.pepperl-fuchs.com

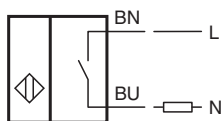
Singapore: +65 6779 9091  
fa-info@sg.pepperl-fuchs.com

**pf** PEPPERL+FUCHS

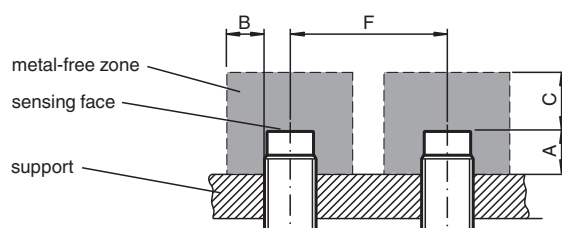
## Technical Data

Reverse polarity protection	reverse polarity tolerant	
Voltage drop at $I_L$		
Voltage drop $I_L = 100$ mA, switching element on	$U_d$	typ. 7 V
Momentary current (20 ms, 0.1 Hz)		0 ... 1200 mA
Rated insulation voltage	$U_{BIS}$	1500 V
Operating current	$I_L$	5 ... 200 mA
Lowest operating current	$I_m$	5 mA
Off-state current	$I_r$	0.7 ... 1.5 mA typ.
Time delay before availability	$t_v$	$\leq 300$ ms
Switching state indicator		LED, yellow
<b>Indicators/operating means</b>		
Potentiometer		sensitivity adjustment
<b>Compliance with standards and directives</b>		
Standard conformity		
Standards		EN 60947-5-2:2007 EN 60947-5-2/A1:2012 IEC 60947-5-2:2007 IEC 60947-5-2 AMD 1:2012
<b>Approvals and certificates</b>		
UL approval		cULus Listed, General Purpose
CCC approval		Certified by China Compulsory Certification (CCC)
<b>Ambient conditions</b>		
Ambient temperature		-25 ... 70 °C (-13 ... 158 °F)
Storage temperature		-25 ... 85 °C (-13 ... 185 °F)
<b>Mechanical specifications</b>		
Connection type		cablc PVC , 2 m
Core cross section		0.75 mm <sup>2</sup>
Housing material		PBT
Sensing face		PBT
Degree of protection		IP67
Note		1) In the temperature range below 0 °C, permissible operating voltage $U_b$ 80...253 V Safety fuse $\leq 0.8$ A (quick-blow) according to IEC 60127-2 Sheet 1 Recommendation: after a short circuit, check that the device is functioning correctly.


## Connection



## Installation



**Accessories**

	<p><b>BF 30</b></p>	<p>Mounting flange, 30 mm</p>
---	---------------------	-------------------------------

Release date: 2022-06-21 Date of issue: 2022-06-21 Filename: 020051\_eng.pdf

Refer to "General Notes Relating to Pepperl+Fuchs Product Information".

Pepperl+Fuchs Group  
www.pepperl-fuchs.com

USA: +1 330 486 0001  
fa-info@us.pepperl-fuchs.com

Germany: +49 621 776 1111  
fa-info@de.pepperl-fuchs.com

Singapore: +65 6779 9091  
fa-info@sg.pepperl-fuchs.com