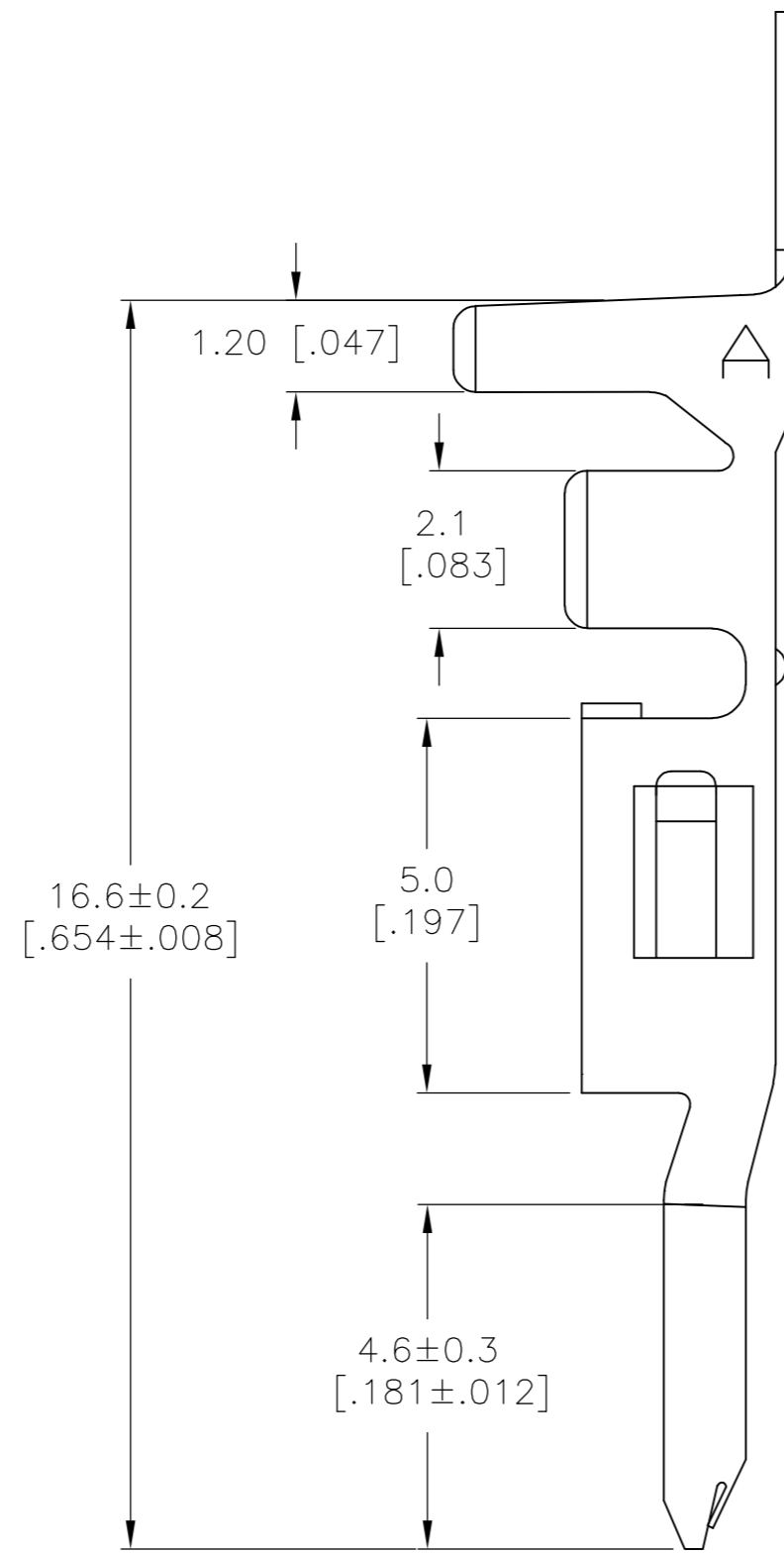
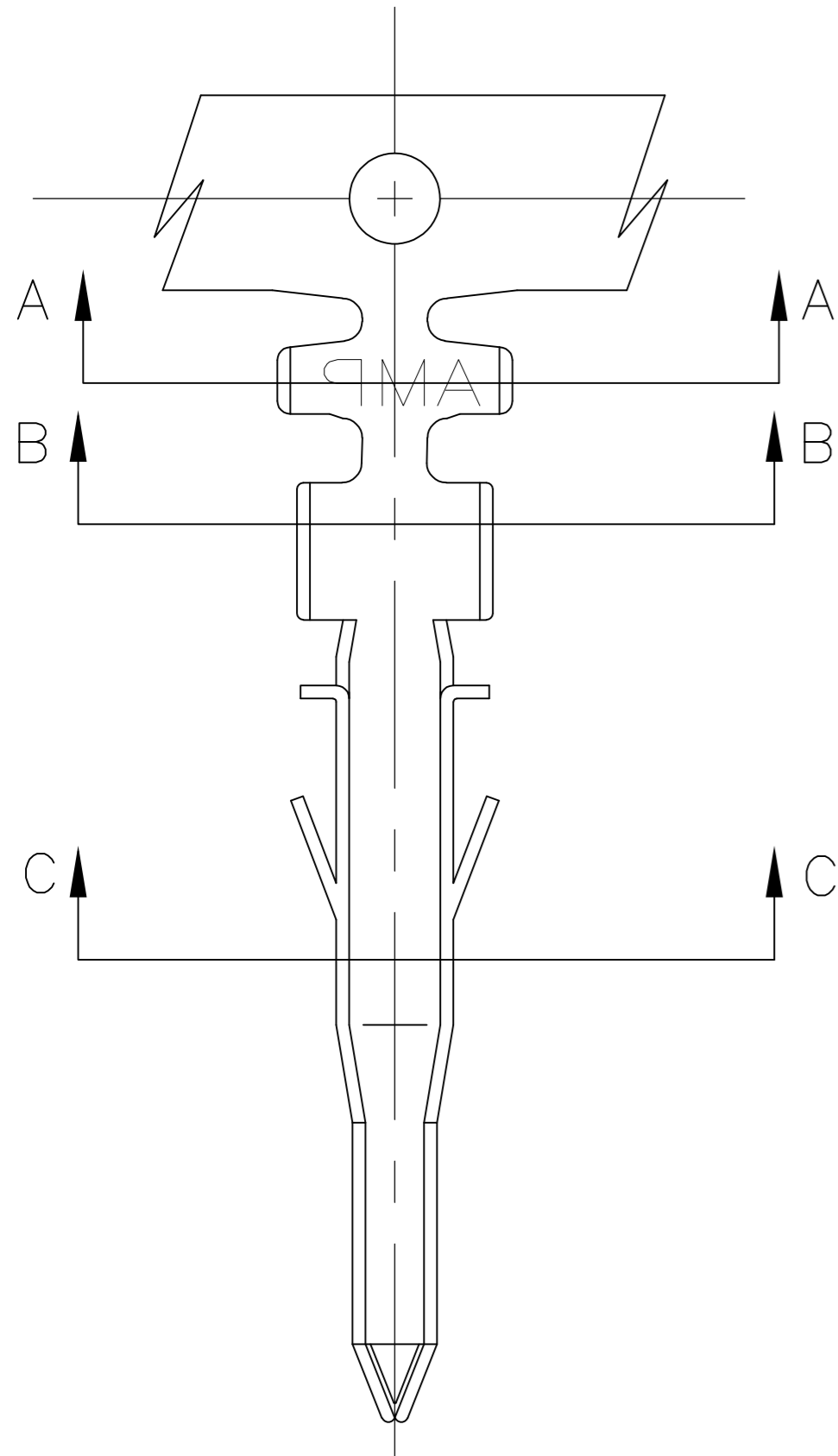
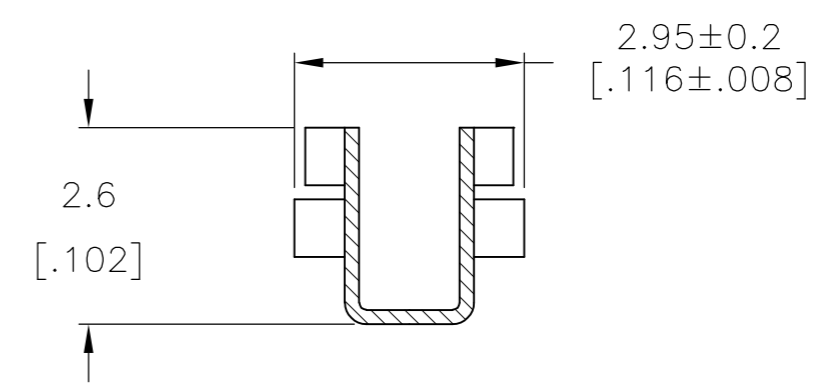
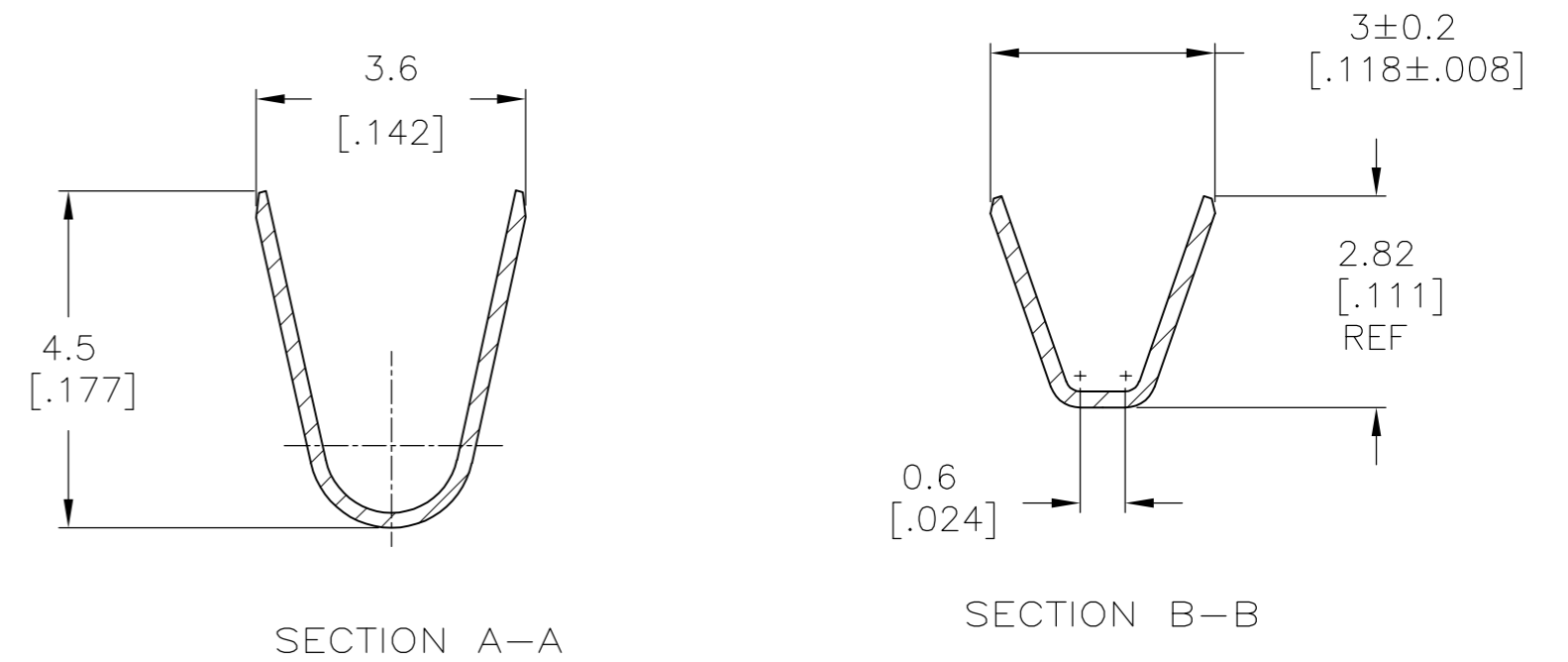


THIS DRAWING IS UNPUBLISHED. RELEASED FOR PUBLICATION  
 © COPYRIGHT - By - ALL RIGHTS RESERVED.

REVISIONS					
P	LTR	DESCRIPTION	DATE	DWN	APVD
A		FIRST RELEASED	15AUG2017	WH	DZ



- 1 WIRE SIZE: 1.31mm<sup>2</sup> (16 AWG)
- 2 INSULATION RANGE: DIA 1.80–3.10 mm [.071–.122 in]
- 3 FINISHED: 2.54µm MIN PRE-TIN ALL OVER, WITH 0.762µm MIN NICKEL UNDER-PLATING ALL OVER
- 4 MATING PART: 2825207-1 (STRIP TYPE) OR 2825209-1 (LOOSE TYPE)



PRE-TIN <span style="border: 1px solid black; padding: 2px;">3</span>	HIGH PERFORMANCE COPPER ALLOY	2825206-1
FINISH	MATERIAL	PART NO.

THIS DRAWING IS A CONTROLLED DOCUMENT.		DWN WARREN HUO 15AUG2017	<b>STE</b> TE Connectivity	
DIMENSIONS: mm [INCHES]		CHK DANIEL ZHANG 15AUG2017		
TOLERANCES UNLESS OTHERWISE SPECIFIED:		APVD DANIEL ZHANG 15AUG2017	NAME DANIEL ZHANG	
0 PLC ±		PRODUCT SPEC 108-150000	TERMINAL, PIN	
1 PLC ± 0.25 [.010]		APPLICATION SPEC 114-13172	VAL-U-LOK(TM) HCS	
2 PLC ± 0.13 [.005]		WEIGHT 0	SIZE A2	CAGE CODE 00779
3 PLC ±		CUSTOMER DRAWING	DRAWING NO C=2825206	
4 PLC ±		SCALE N/A	SHEET 1 of 1	REV A
ANGLES ± 0°30'				
FINISH SEE TABLE				