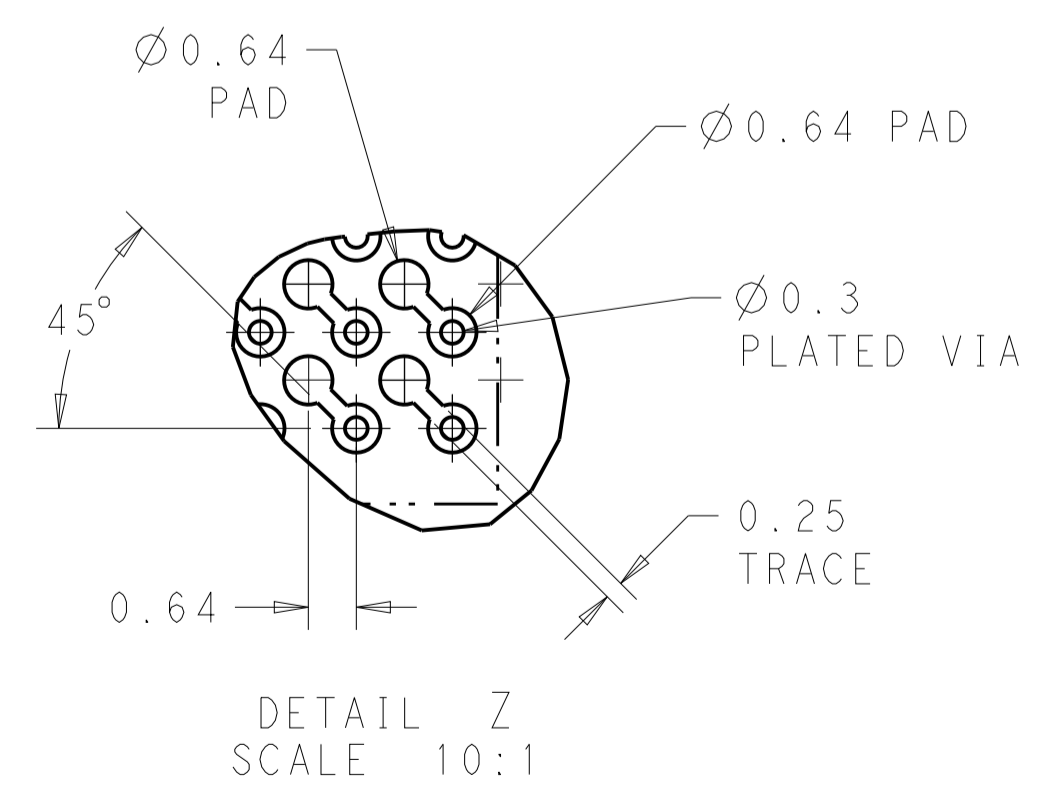
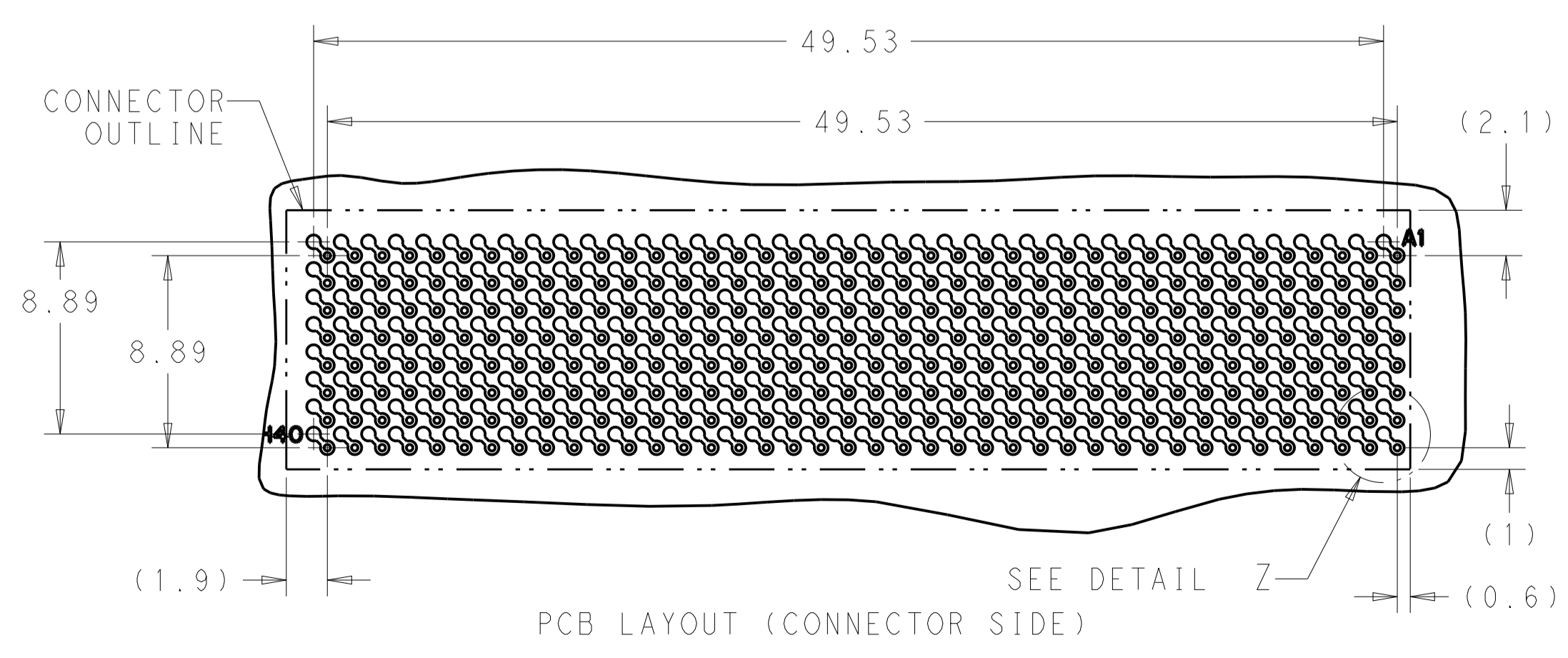
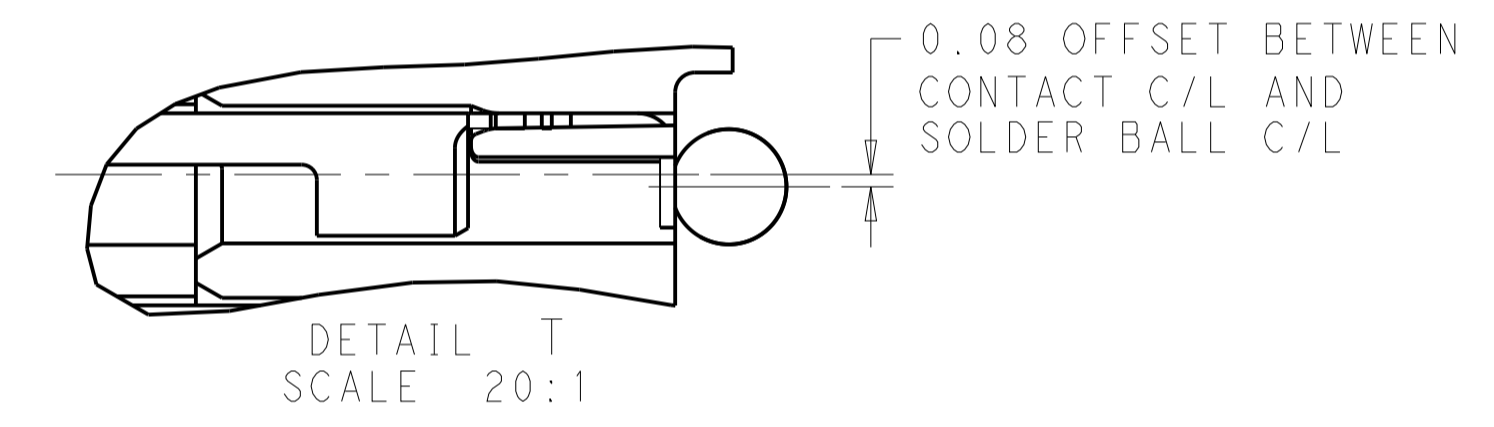
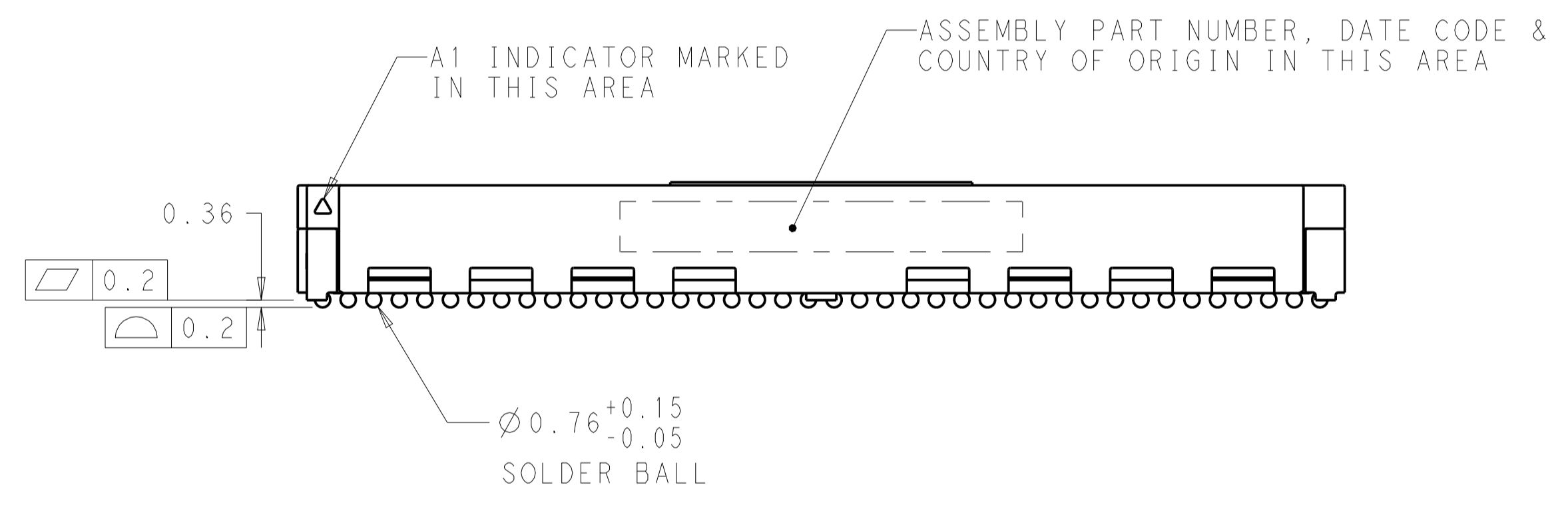
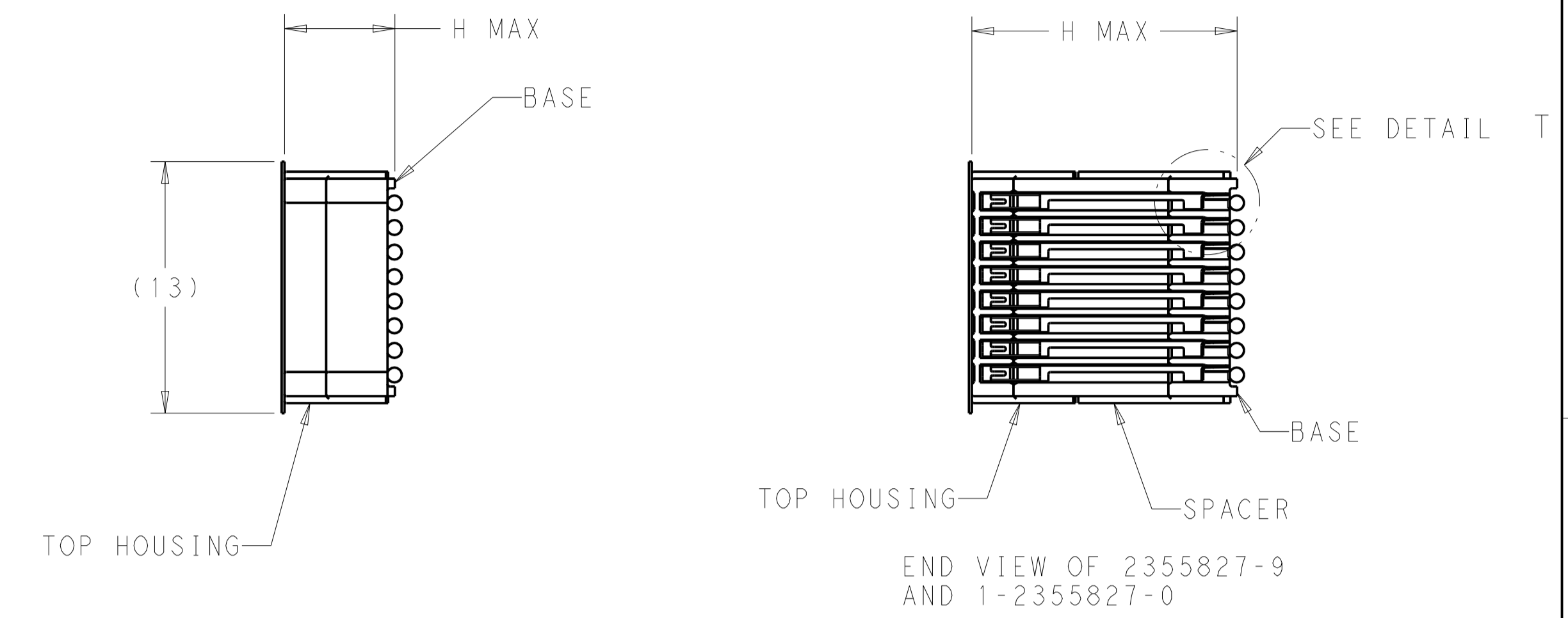
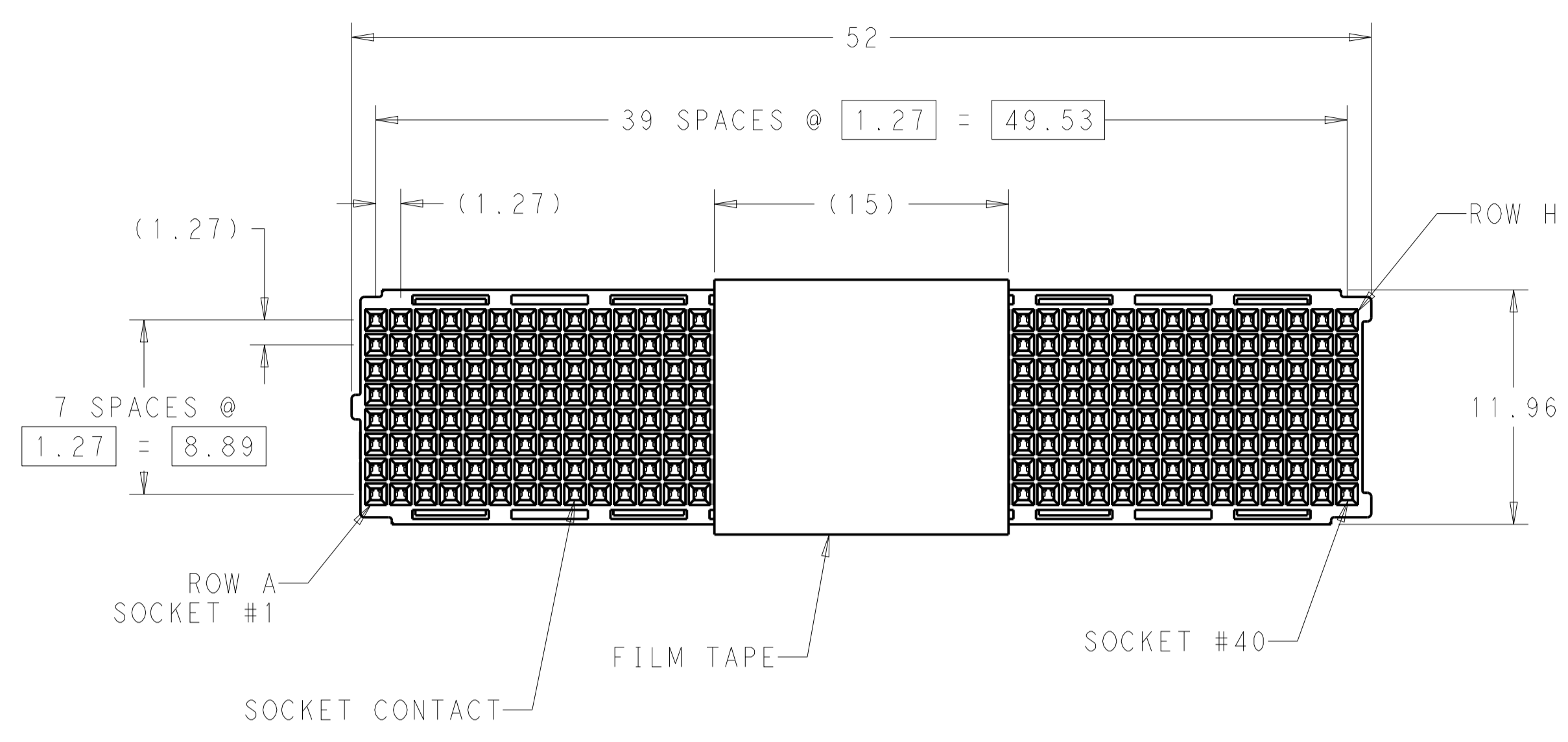


| REVISIONS | | | | | |
|-----------|-----|----------------------------|-----------|-----|------|
| P | LTN | DESCRIPTION | DATE | DWN | APVD |
| A | | RELEASED PER ECO-21-003568 | 16MAR2021 | KM | CG |



- △ MATERIAL: LCP, COLOR: NATURAL
 CONTACT: BERYLLIUM COPPER
 SOLDER BALL: SEE TABLE
 FILM TAPE: KAPTON WITH SILICONE ADHESIVE
- △ FINISH: CONTACT: GOLD (SEE TABLE) ON MATING AREA OVER NICKEL ON ENTIRE CONTACT.
- 3. PRODUCT IS PACKAGE ON TAPE AND REEL.
- △ DIAGRAM REPRESENTS THE DE-REELING DIRECTION OF THE PACKAGED CONNECTORS.

| | | | | | | |
|--------------------|----|-------------------|------------------------|-----------|----------------------|-------------|
| 2102429-2 | 28 | 18 | 1.27µm | 14 | LEAD FREE | 1-2355827-0 |
| 2102429-1 | 28 | 18 | 1.27µm | 14 | TIN LEAD | 2355827-9 |
| 2102429-2 | 20 | 10 | 1.27µm | 6 | LEAD FREE | 2355827-2 |
| 2102429-1 | 20 | 10 | 1.27µm | 6 | TIN LEAD | 2355827-1 |
| MATING PART NUMBER | T | STACK HEIGHT (mm) | GOLD PLATING THICKNESS | H MAX REF | SOLDER BALL MATERIAL | PART NUMBER |

THIS DRAWING IS A CONTROLLED DOCUMENT. DWN: J. MILLER 06FEB2020
 CHK: C. GINGRICH 07FEB2020
 APVD: K. THACKSTON 16MAR2021

STE TE Connectivity

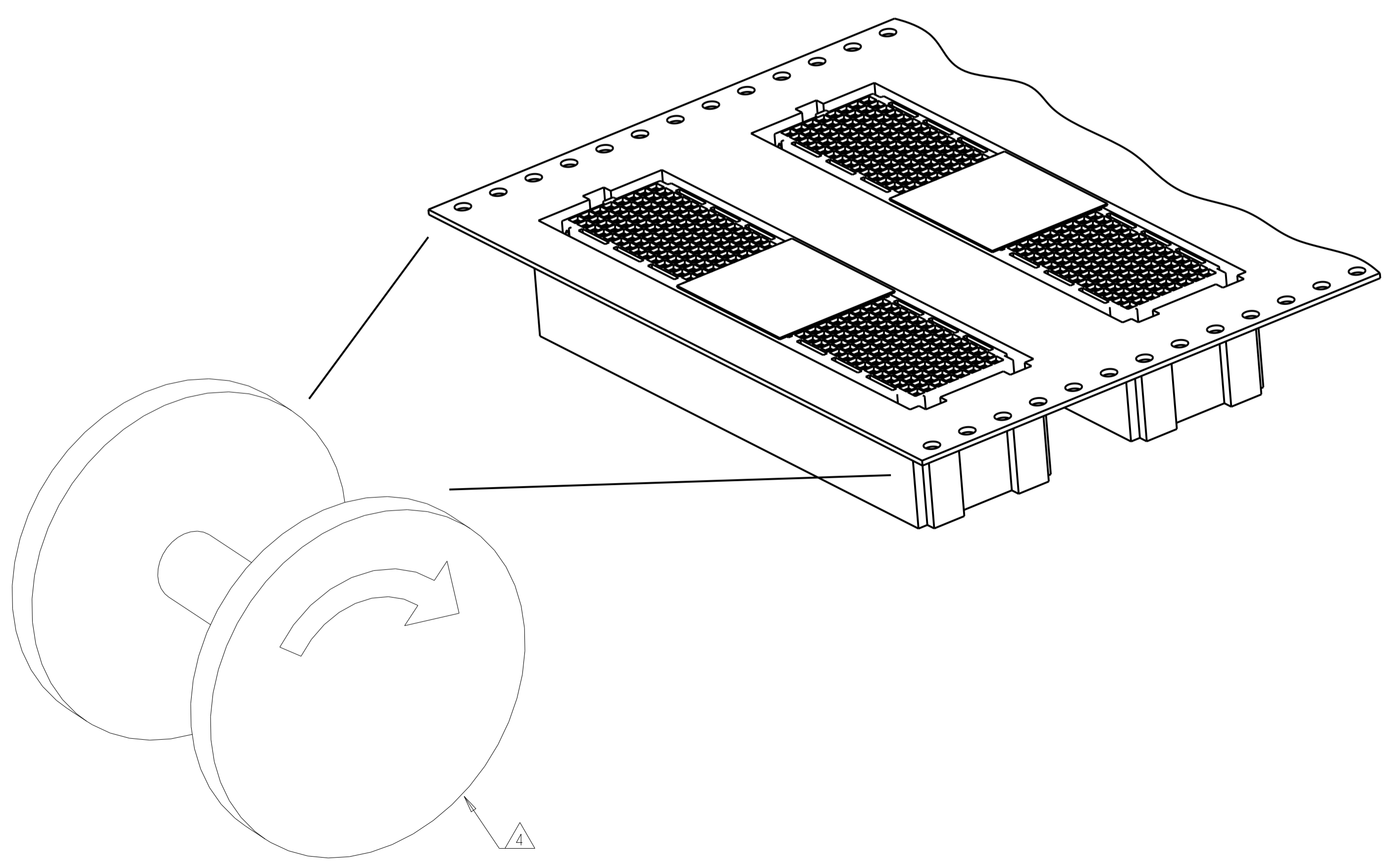
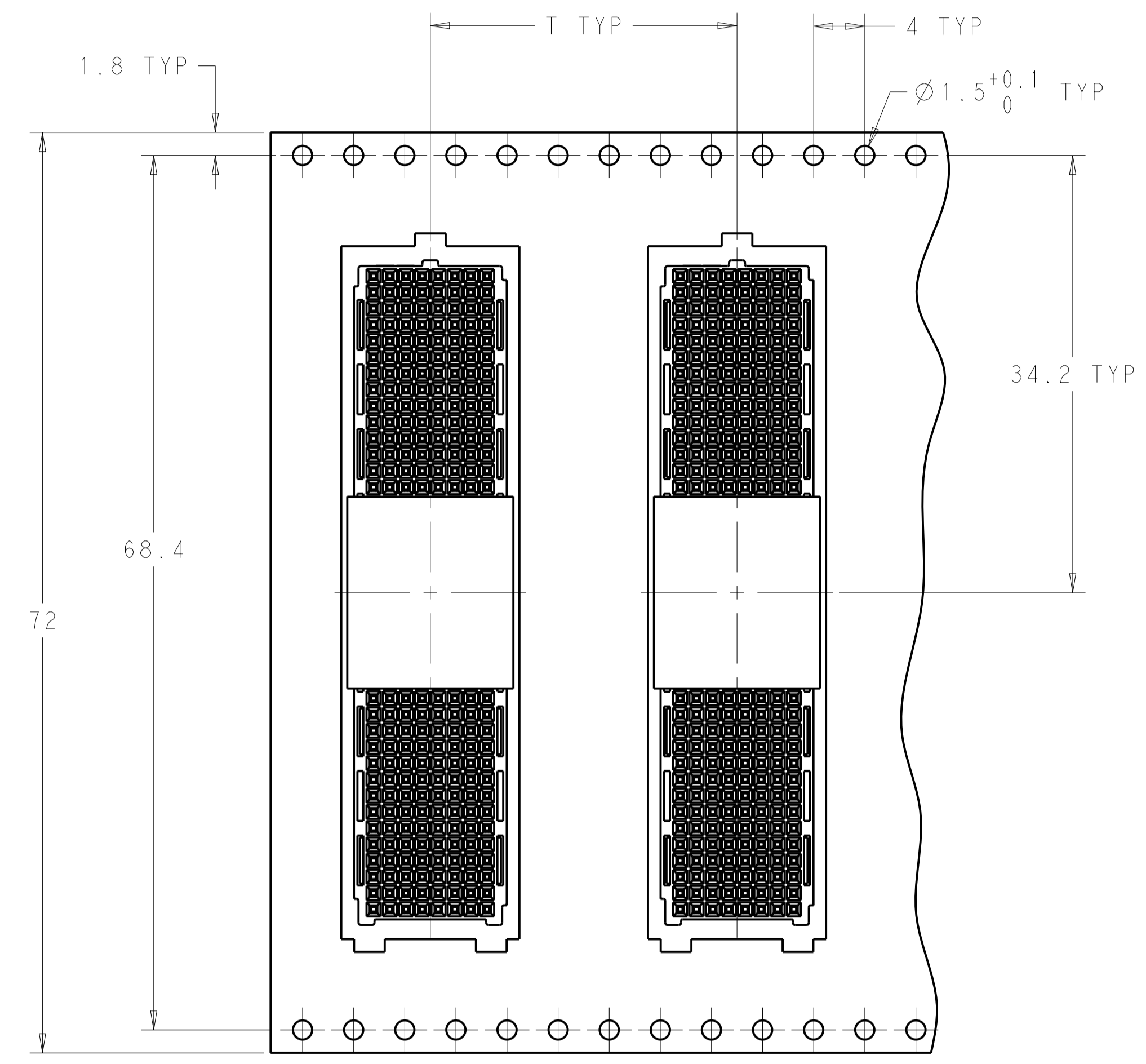
NAME: ASSEMBLY, SOCKET, 320 POSITION, MINI BOX STACKING CONNECTOR, LOW FORCE

PRODUCT SPEC: 108-160206
 APPLICATION SPEC: 114-13279

SIZE: 114-13279
 WEIGHT: -
 CUSTOMER DRAWING

SCALE: 4:1 SHEET 1 OF 2 REV A

| REVISIONS | | | | |
|-----------|-----|-------------|------|------|
| P. | LTN | DESCRIPTION | DATE | APVD |
| - | - | SEE SHEET 1 | - | - |
| | | | | |
| | | | | |



| | | | | | | | | | | | | | | | |
|--|---------|-----------------------------------|---|-------|------|-------|-------|-------|--------|-------|---------|--------|-----|----------------------------|------------|
| THIS DRAWING IS A CONTROLLED DOCUMENT. | | DWN K. MILLER 06FEB2020 | | | | | | | | | | | | | |
| DIMENSIONS: mm | | CHK C. GINGRICH 07FEB2020 | | | | | | | | | | | | | |
| TOLERANCES UNLESS OTHERWISE SPECIFIED: | | APVD K. THACKSTON 16MAR2021 | NAME ASSEMBLY, SOCKET, 320 POSITION, MINI BOX STACKING CONNECTOR LOW FORCE | | | | | | | | | | | | |
| <table border="1"> <tr> <td>0 PLC</td> <td>±</td> </tr> <tr> <td>1 PLC</td> <td>±0.5</td> </tr> <tr> <td>2 PLC</td> <td>±0.13</td> </tr> <tr> <td>3 PLC</td> <td>±0.013</td> </tr> <tr> <td>4 PLC</td> <td>±0.0001</td> </tr> <tr> <td>ANGLES</td> <td>±1°</td> </tr> </table> | | 0 PLC | ± | 1 PLC | ±0.5 | 2 PLC | ±0.13 | 3 PLC | ±0.013 | 4 PLC | ±0.0001 | ANGLES | ±1° | PRODUCT SPEC 108-160206 | SIZE A1 |
| 0 PLC | ± | | | | | | | | | | | | | | |
| 1 PLC | ±0.5 | | | | | | | | | | | | | | |
| 2 PLC | ±0.13 | | | | | | | | | | | | | | |
| 3 PLC | ±0.013 | | | | | | | | | | | | | | |
| 4 PLC | ±0.0001 | | | | | | | | | | | | | | |
| ANGLES | ±1° | | | | | | | | | | | | | | |
| MATERIAL | | APPLICATION SPEC 114-13279 | CAGE CODE 00779 | | | | | | | | | | | | |
| FINISH | | WEIGHT | DRAWING NO C=2355827 | | | | | | | | | | | | |
| CUSTOMER DRAWING | | SCALE 4:1 | SHEET 2 OF 2 | | | | | | | | | | | | |
| | | REV A | | | | | | | | | | | | | |