

ATLANTIC VERSION TERMINATOR INTERFACE ADAPTER	PART NUMBER	REVISION	DESCRIPTION	FEED TYPE	
	2266053-1	B	FINE CRIMP HEIGHT ADJUST	MECHANICAL	SUPERSEDED BY 5-2151205-1
	2266053-2	B	FINE CRIMP HEIGHT ADJUST	PNEUMATIC	SUPERSEDED BY 5-2151205-2
	2266053-5	B	FINE CRIMP HEIGHT ADJUST	SERVO LATCH PLATE	OBSOLETE
	2266053-6	B	NON-CRIMP HEIGHT ADJUST	SERVO LATCH PLATE	OBSOLETE
	2266053-7	B	FINE CRIMP HEIGHT ADJUST	NONE	OBSOLETE
	7-2266053-7	A	CRIMP TOOLING KIT	-	

APPLICATOR DATA		
CRIMP	SIZE	TYPE
WIRE	2.28 mm [.090]	F
INSUL	3.68 mm [.145]	O

APPLICATOR INSTRUCTIONS
408-10389

TERMINAL DATA: TE TERMINAL		TE CRIMP SPECIFICATION	
TERMINAL NAME: MINI MIC RECEPT CONTACT			
WIRE STRIP LENGTH		INSULATION DIAMETER RANGE	
3.00-3.50 mm [.118-.138 IN]		Ø1.70-3.30 mm [.067-.130 IN]	
TERMINAL APPLICATION SPECIFICATION	(A)114-20045		
	(B)114-20062		
TERMINALS APPLIED			
TE TERMINAL	TE TERMINAL	TE SEAL	TE SEAL
(A) 282110-1		(A) 281934-2	(B) 828904-1
		(A) 281934-3	(B) 828905-1

WIRE SIZE	CRIMP HEIGHT mm [INCH]	CRIMP HEIGHT REFERENCE SETTING
1.50mm2	1.40+/-0.05 [.055+/-0.002]	6.3
1.00mm2	1.22+/-0.05 [.048+/-0.002]	8.2
0.75mm2	1.14+/-0.05 [.045+/-0.002]	9.1

- 1. RECOMMENDED SPARE PARTS
- 2. GREASE BEARING SURFACES LIGHTLY
- 3. LUBRICATE DAILY PER THE APPLICATOR INSTRUCTION SHEET SUPPLIED WITH THE APPLICATOR.
- 4. APPLICATOR SPECIFIC DATA TO BE ENTERED INTO BLANK MEMORY CHIP AT ASSEMBLY. SEE BELOW FOR PART NUMBER:
MECHANICAL FEED WITH "SMART APPLICATOR" CONVERSION: 8-2266053-4
PNEUMATIC FEED WITH "SMART APPLICATOR" CONVERSION: 8-2266053-4
SERVO FEED WITH "FINE CRIMP HEIGHT ADJUST": 8-2266053-5
SERVO FEED WITH "NON-CRIMP HEIGHT ADJUST": 8-2266053-6
- 5. ADJUSTMENT OF THE STRIPPER MAY BE REQUIRED WHEN MOVING THE APPLICATOR BETWEEN BENCH AND LEADMAKER APPLICATIONS.
- 6. APPLY PART NUMBER 1-23419-5 LOCTITE TO THREADS OF ITEMS 62 & 180. APPLY PART NUMBER 2-23419-6 LOCTITE TO THREADS OF ITEM 242. FOR -6 ONLY APPLY PART NUMBER 1-23419-5 LOCTITE TO THREADS OF ITEMS 37 & 180.
- 7. GREASE THREADS, GROOVE AND O-RING ON ITEMS 35 & 252.
- 8. MAGNET, ITEM 166 MUST BE ORIENTED CORRECTLY IN ORDER TO PROPERLY ACTUATE THE COUNTER.
- 9. CRIMP HEIGHT REFERENCE SETTING WAS THE SETTING USED WHEN THE APPLICATOR WAS QUALIFIED AT THE FACTORY. ADJUSTMENT MAY BE NECESSARY WHEN RUNNING APPLICATOR IN THE FIELD.
- 10. SPARE FEED CAM STORAGE LOCATION REFER TO INSTRUCTION SHEET FOR ADDITIONAL INFORMATION.
- 11. TO CONVERT THE APPLICATOR TO A NON-CARRIER CUTTING STYLE, REMOVE ITEM 13 AND ATTACH TO THE LOCATION ON THE BACK SIDE OF THE HOUSING. REFER TO INSTRUCTION SHEET FOR ADDITIONAL INFORMATION.
- 12. WHEN ASSEMBLING -6 NON-CRIMP HEIGHT ADJUST APPLICATOR USE SHIM PACK 2119957-2 TO ALIGN APPLICATOR'S MAXIMUM WIRE CRIMP HEIGHT AT NORMAL TERMINATOR SHUT HEIGHT THIS APPLICATOR APPLIES TERMINAL WITH A SEAL.
- 13.
- 14. APPLY TORO-SEAL IN ALLEN SOCKET TO FILL HOLE AFTER FLAT HD HAS BEEN ADJUSTED TO CORRECT HEIGHT AT QUALIFICATION. APPLY #1-23419-5 LOC-TITE TO THREADS.

- 6. INSULATION SIZE DEPENDENT UPON SEAL BEING APPLIED:
INS. RANGE FOR SEAL 281934-2 IS Ø1.7-2.4mm
INS. RANGE FOR SEAL 281934-3 IS Ø2.5-3.3mm
INS. RANGE FOR SEAL 828905-1 IS Ø2.2-2.4mm
INS. RANGE FOR SEAL 828904-1 IS Ø1.9-2.1mm
- 7. THE APPLICATOR IS SPECIFIC FOR USE IN A STRIPPER SEAL TERMINATING UNIT.

***WARNING**
ON INSTALLATION, SET WIRE DISC, ITEM 40 TO LARGEST WIRE SIZE SETTING. USE OF SETTINGS BELOW MINIMUM REQUIRED CRIMP HEIGHT SETTING WILL CAUSE DAMAGE TO CRIMP TOOLING.

-	-	1	-	-	-	2119957-2	APPLICATOR SHIM PACK	260
-	1	-	1	1	1	8-21084-0	O-RING, .676 ID, .070 DIA. MAT.	252
-	-	-	-	1	-	2119640-1	PUSH ROD, AIR FEED	250
-	-	-	-	1	-	2079988-1	BUSHING, LCH5-12, MISUMI	249
-	-	-	-	1	-	2119641-1	FEED CAM, AIR FEED	248
-	1	-	1	1	1	2119798-1	DETENT PIN	247
-	1	-	1	1	1	1-22279-3	SPRING, COMPRESSION	246
-77	-7	-6	-5	-2	-1	PART NO	DESCRIPTION	ITEM NO

ATLANTIC VERSION
Shown on sheets 1 of 4 & 2 of 4
(Pacific version shown on sheets 3 of 4 & 4 of 4)

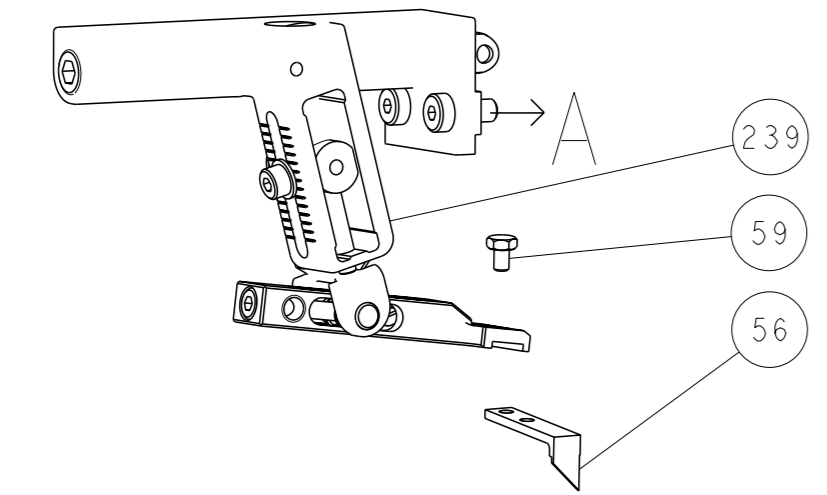
SET UP GAUGE	LOC	DIST	REVISIONS					
2119599-1	A	66	#	LY#	DESCRIPTION	DATE	OWN	APVD
			A		RELEASE	23OCT2013	XZ	LZ
			B		ECR-16-010655	27JUL2016	KH	TE
			B1		ECR-18-008658	07JUN2018	LG	TE

-	-	1	-	-	-	2119758-1	RAM, AMP STYLE, SIDE FEED, NON-ADJ.	245
-	1	1	1	1	1	2119082-9	CAM, SNAIL, INSULATION ADJUSTMENT	244
-	1	1	1	1	1	2079764-1	WASHER, WAVE SPRING, CREST-TO-CREST	243
-	1	1	1	1	1	2119083-1	RETAINER, INSULATION DIAL	242
-	1	1	1	1	1	7-18023-7	SCR, SKT HD CAP M3 X 4.0	241
-	-	2	2	-	-	2168400-6	SHCS, LOW HEAD, RoHS, M5 X 16	240
-	-	-	-	-	1	2119580-1	MECHANICAL FEED ASSEMBLY	239
-	-	-	-	1	-	2063440-1	AIR FEED MODULE	238
-	-	1	1	-	-	2119740-2	TAG, IDENTIFICATION	213
-	-	1	1	-	-	1901094-3	SPACER, FEEDER	198
-	1	1	1	1	1	4-1722335-3	STRIPPER, SIDE FEED	182
-	1	1	1	1	1	1-5018030-0	NUT, HEX, REG, RoHS, M3.5	181
-	1	1	1	1	1	1-1752354-9	STANDOFF, HOLD-DOWN	180
-	1	1	1	1	1	9931111-1	PIN, SLOTTED SPRING 3.0 X 20.0	177
-	1	1	1	1	1	5-22280-0	SPRING, COMPRESSION	176
-	1	1	1	1	1	1752353-3	GUIDE PIN, HOLDDOWN	175
-	1	1	1	1	1	1901680-2	GUIDE PIN, HOLDDOWN	174
-	-	-	-	2	-	21045-3	RING, RETAIN, EXTERN, 3/16 CRESCENT	172
-	1	1	1	1	1	994969-1	MAGNET, RARE EARTH HIGH ENERGY	166
-	REF	REF	REF	REF	REF	994970-2	COUNTER, MAGNETIC	164
-	-	-	-	1	-	240638-1	SPRING, FEED FINGER	163
-	-	-	-	1	-	3-23627-7	PIN, RETAIN, GRVD, 3/16 X .854	137
-	-	-	-	1	-	2119799-1	HOLDER, FEED FINGER, AF	136
-	-	REF	REF	-	-	-	MEMORY CHIP, PROGRAMMED	135
-	-	1	1	-	-	1633743-1	SERVO FEED LATCH ASM	133
-	1	1	1	1	1	1-18028-2	WASHER, FLAT, REG M4	119
-	-	REF	REF	-	-	2119944-1	FEED FINGER ASSEMBLY, SF	117
-	1	1	1	1	1	455888-5	SPACER, CRIMPER	82
-	1	1	1	1	1	2119956-1	DOCUMENTATION PACKAGE	71
-	1	-	-	1	1	2119740-1	TAG, IDENTIFICATION	67
-	2	2	2	2	2	2168078-1	SCREW, DRIVE, RH, RoHS, 2 x .188	66
-	1	-	1	1	1	2119793-1	LIMITER, ADJUSTMENT BOLT	63
-	3	-	3	3	3	992763-5	SCR, SET, SOC, CONE PNT, M3 x 4.0	62
-	1	1	1	1	1	2079383-4	SCR, BHSC, RoHS (M4 X 8)	60
-	-	-	-	1	1	5-18022-5	SCR, HEX HD CAP, M4 X 6.0	59
-	1	1	1	1	1	985575-3	SCR, FLT SKT HD CAP M3 X 10.0	57
-	-	-	-	1	1	1338685-1	PAWL, FEED	56
-	4	4	4	4	4	2168400-1	SHCS, LOW HEAD, RoHS, M4 X 12	54
-	2	2	2	2	2	2168083-3	SCR, SKT HD CAP, RoHS, M4 X 12.0	53
-	1	1	1	1	1	5018030-1	NUT, HEX, REG, RoHS, M3	52
-	1	1	1	1	1	811242-5	BUMPER, HOLD DOWN	51
-	1	1	1	1	1	690753-2	SPACER, TONKER	50
-	-	-	-	1	2	18023-9	SCR, SKT HD CAP M4 X 6.0	49
-	-	-	-	-	1	2119652-1	FEED CAM, PRE FEED	48
-	-	-	-	-	1	2119653-1	FEED CAM, POST FEED	47
-	1	1	1	1	1	2-2119656-1	APPLICATOR BASIC ASSEMBLY, SF	46
-	1	-	1	1	1	2119370-1	RAM, AMP STYLE, SIDE FEED	44
-	1	1	1	1	1	2079383-7	SCR, BHSC, RoHS (M8 X 25)	41
-	1	-	1	1	1	2119645-1	DISC, NUMBERED FA WIRE ADJUSTMENT	40
-	1	-	1	1	1	2119957-1	APPLICATOR SHIM PACK	39
-	1	1	1	1	1	1-2119644-2	RAM WASHER, PRECISION	38
-	1	1	1	1	1	2119085-1	FA HEAD, ATLANTIC STYLE	37
-	1	-	1	1	1	2119092-1	BOLT, ADJUSTMENT	35
-	1	1	1	1	1	2-1752356-0	SUPPORT, TERMINAL	34
-	2	2	2	2	2	2079383-5	SCR, BHSC, RoHS (M4 X 20)	33
-	1	1	1	1	1	2161328-1	HEX HEAD, FLANGED, M5 x 8mm LONG	32
-	1	1	1	1	1	1-1320908-0	SPACER, STRIP GUIDE	30
-	1	1	1	1	1	2119959-1	ASSEMBLY, STRIP GUIDE	29
-	1	1	1	1	1	455888-3	SPACER, CRIMPER	28
-	1	1	1	1	1	1320928-2	STRIP GUIDE	24
-	1	1	1	1	1	2119806-1	INSERT, SHEAR	13
-	1	1	1	1	1	3-22280-3	SPRING, COMPRESSION	12
-	1	1	1	1	1	1-356885-4	STOP, SHEAR	11
-	1	1	1	1	1	2119805-1	SHEAR HOLDER, FRONT	10
-	1	1	1	1	1	318707-1	FLOATING SHEAR, FRONT	9
-	1	1	1	1	1	1333205-6	ANVIL, COMBINATION	8
-	1	1	1	1	1	3-240641-4	SPACER	7
-	-	-	-	-	-	-	-	6
-	1	1	1	1	1	2119781-1	DEPRESSOR, SHEAR	5
-	1	1	1	1	1	2-238011-2	BLOCK, CRIMPER SPACER	4
-	1	1	1	1	1	3-2119784-8	CRIMPER, INSULATION O PREMIUM	3
-	1	1	1	1	1	455888-9	SPACER, CRIMPER	2
-	1	1	1	1	1	4-456406-1	CRIMPER, WIRE PREMIUM	1
-77	-7	-6	-5	-2	-1	PART NO	DESCRIPTION	ITEM NO

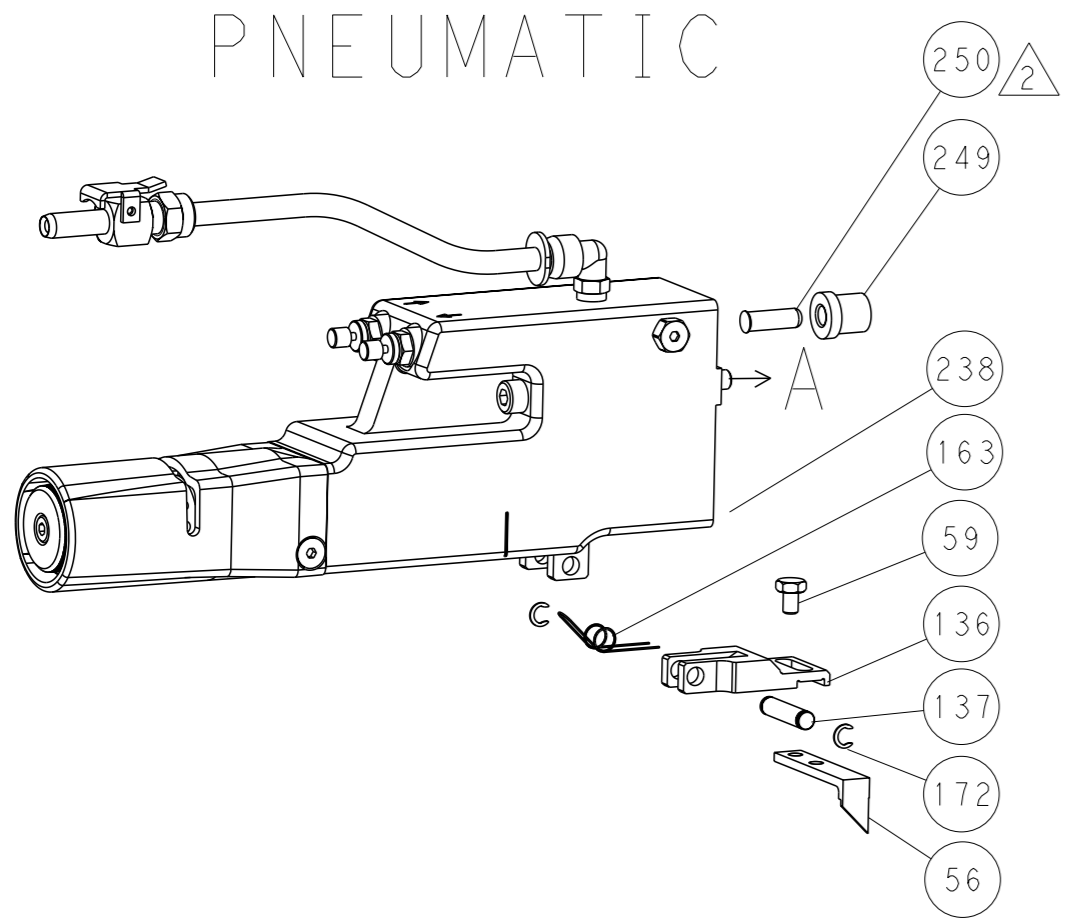
DIMENSIONS:		TOLERANCES UNLESS OTHERWISE SPECIFIED:		OWN		NAME	
mm	0 PLC	±		X. ZHAO	25SEP2013	TE Connectivity	
	1 PLC	±		T. ELBIN	25SEP2013	Harrisburg, PA 17105-3608	
	2 PLC	±		APVD		Ocean Side Feed	
	3 PLC	±		PRODUCT SPEC		Applicator	
	4 PLC	±		APPLICATION SPEC			
	ANGLES	±	*	SIZE		RESTRICTED TO	
	FINISH			CAGE CODE		DRAWING NO	
				A1 00779		©=2266053	
				WEIGHT		SCALE	
				Customer Accessible Production Drawing		1:2 SHEET 1 of 4 REV B1	

REVISONS		DATE	OWN	APVD
P	LYH			
- SEE SHEET 1				

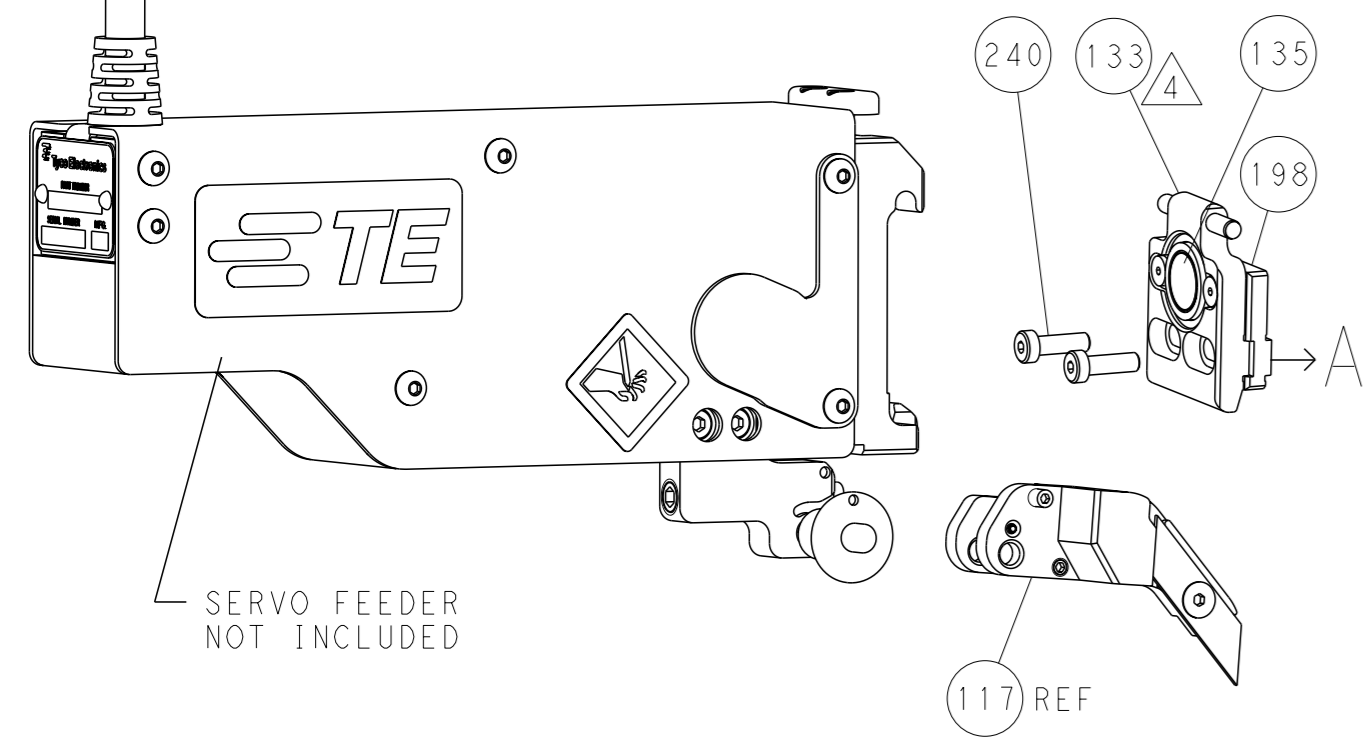
FEED TYPE MECHANICAL



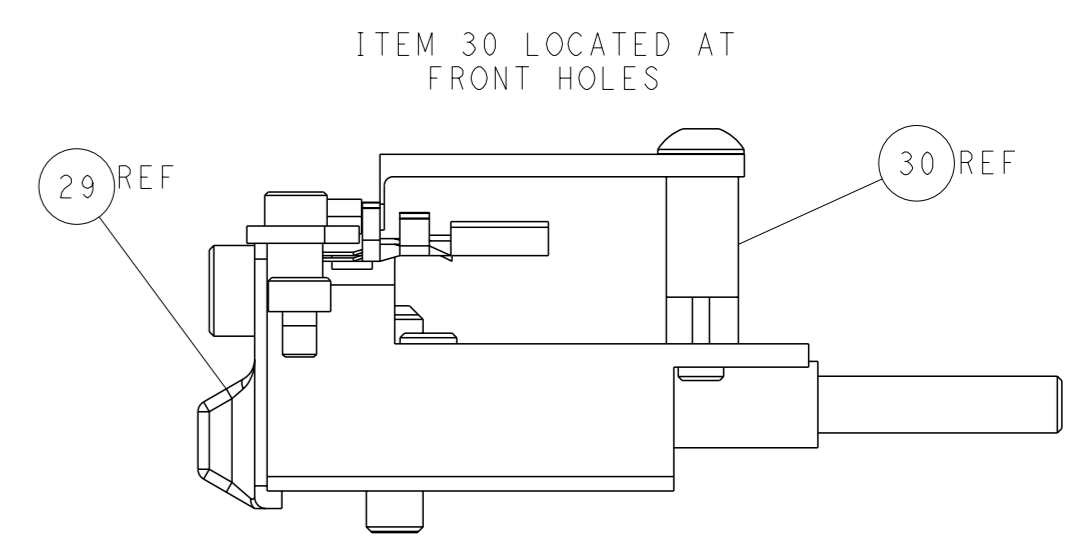
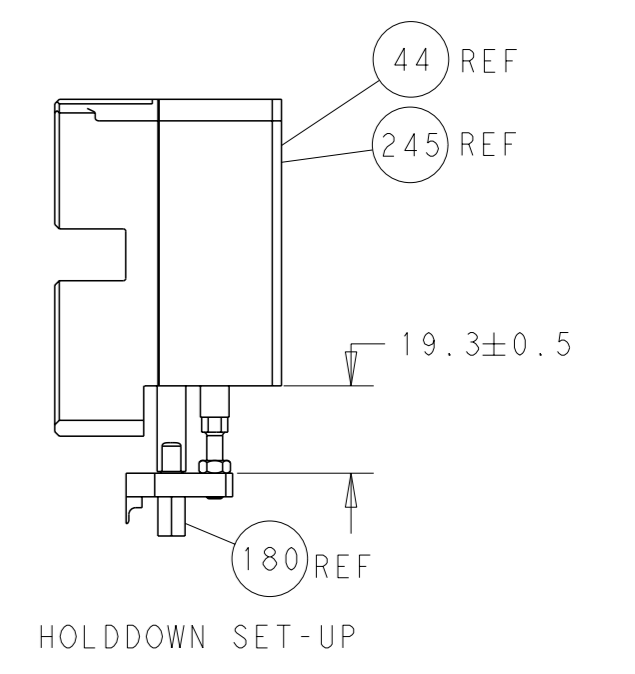
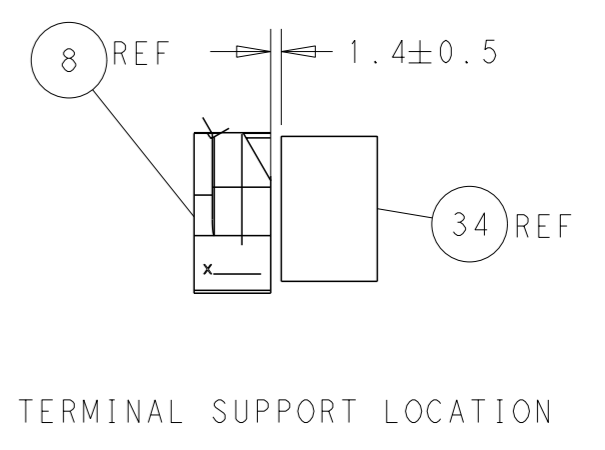
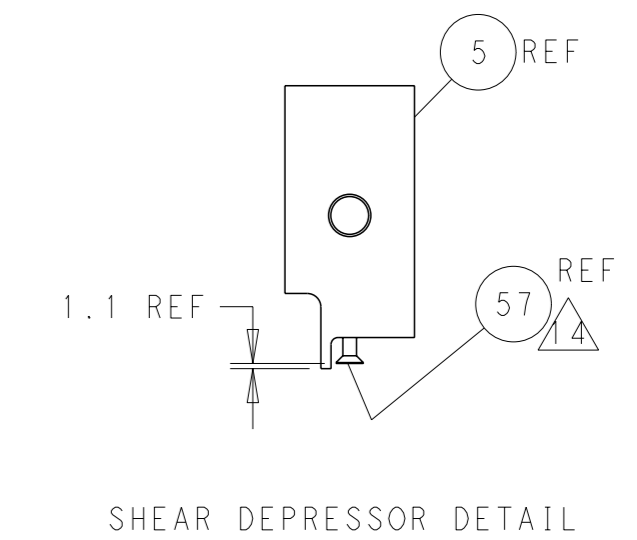
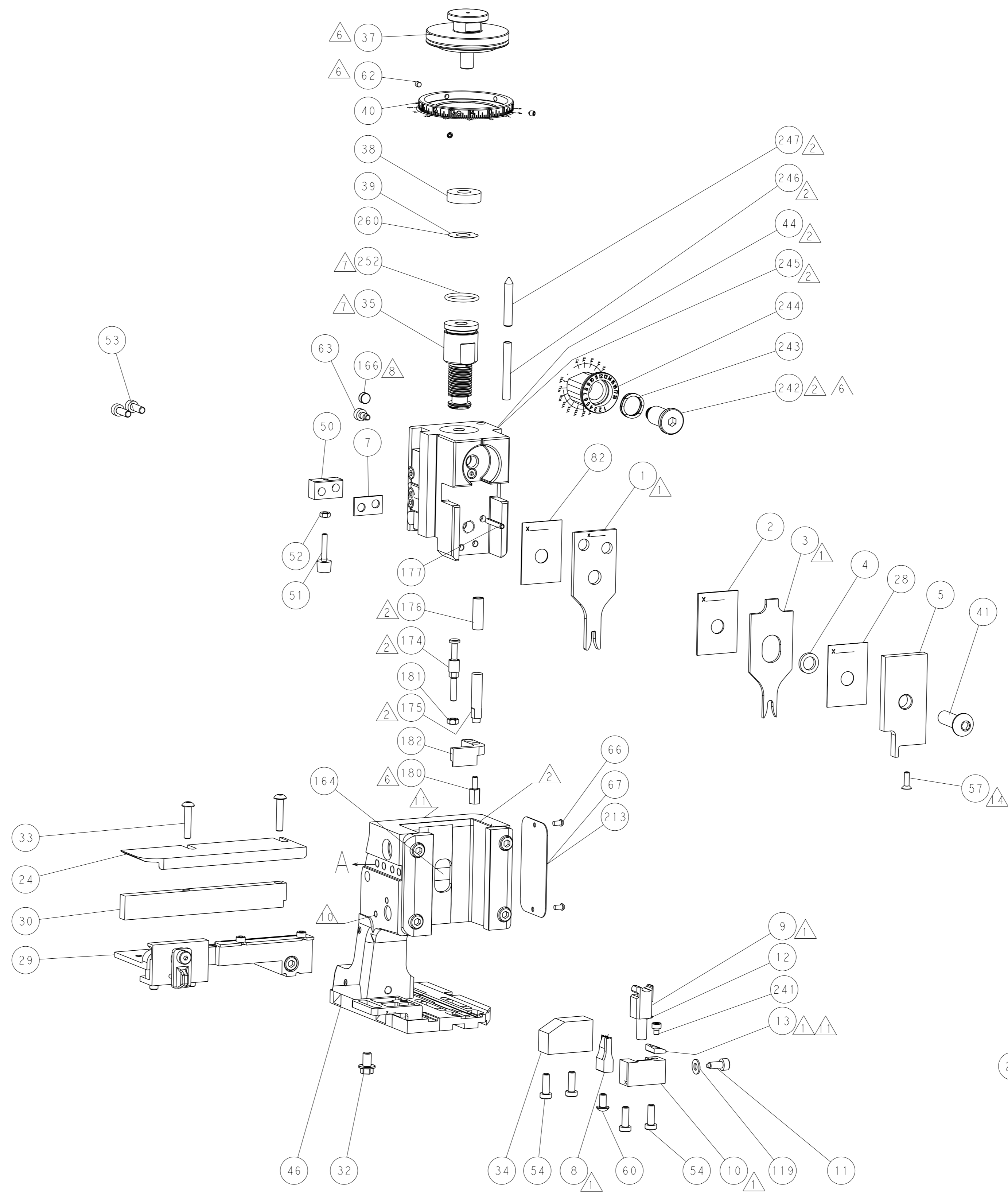
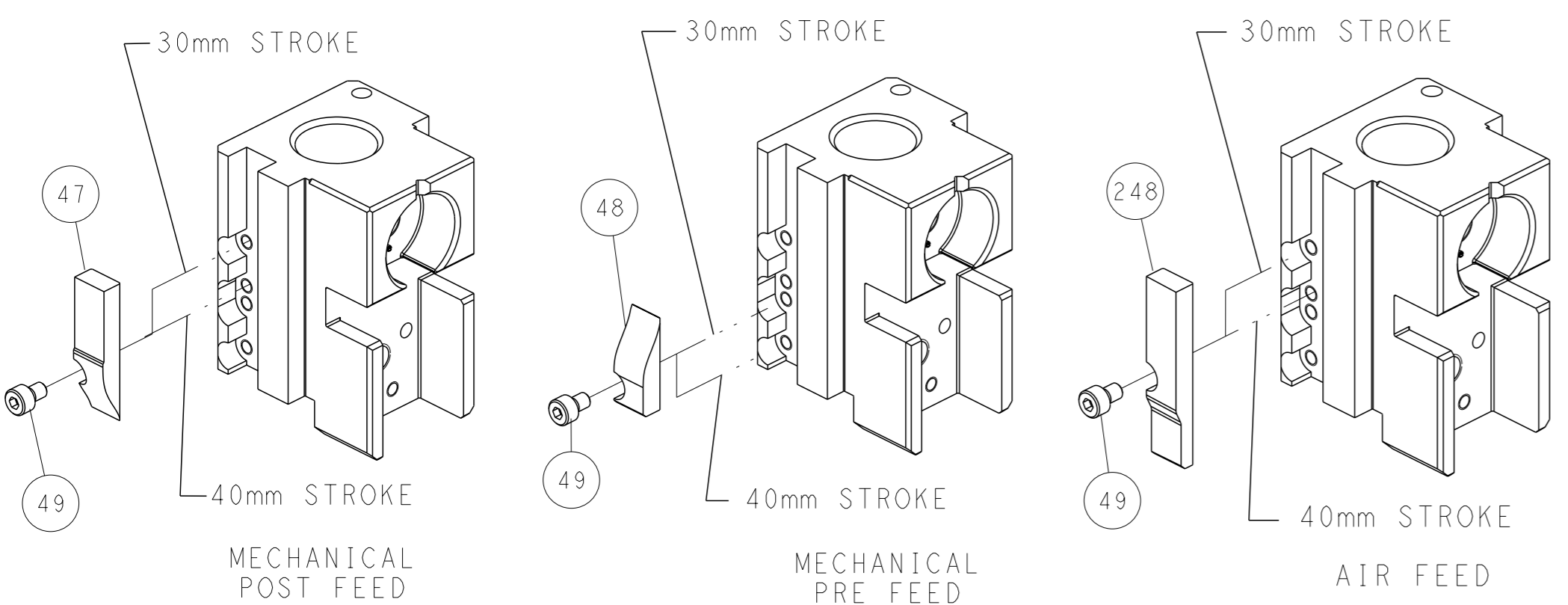
PNEUMATIC



SERVO LATCH PLATE



CAM POSITIONS



ATLANTIC VERSION
 Shown on sheets 1 of 4 & 2 of 4
 (Pacific version shown on sheets 3 of 4 & 4 of 4)

<small>THIS DRAWING IS A CONTROLLED DOCUMENT FOR TYCO ELECTRONICS CORPORATION. IT IS SUBJECT TO CHANGE AND THE CONTROL AND REVISIONS ORGANIZATION SHOULD BE CONTACTED FOR THE LATEST REVISION.</small>		OWN: X_ZHAO 25SEP2013 CHK: T_ELBIN 25SEP2013 APVD: L_ZHANG 25SEP2013	NAME: Ocean Side Feed Applicator SIZE: A1 CAGE CODE: 00779 DRAWING NO: C=2266053	TE Connectivity Harrisburg, PA 17105-3608
DIMENSIONS: mm TOLERANCES UNLESS OTHERWISE SPECIFIED: 0 PLC ± 1 PLC ± 2 PLC ± 3 PLC ± 4 PLC ± ANGLES FINISH ±	WEIGHT: - SCALE: 1:2 SHEET: 2 of 4 REV: B1	RESTRICTED TO: -	Customer Accessible Production Drawing	

THIS DRAWING IS UNPUBLISHED. RELEASED FOR PUBLICATION. COPYRIGHT 20 BY TYCO ELECTRONICS CORPORATION. ALL RIGHTS RESERVED.

PACIFIC VERSION TERMINATOR INTERFACE ADAPTER	PART NUMBER	REVISION	DESCRIPTION	FEED TYPE	
	2-2266053-1	B	FINE CRIMP HEIGHT ADJUST	MECHANICAL	OBSOLETE
	2-2266053-2	B	FINE CRIMP HEIGHT ADJUST	PNEUMATIC	OBSOLETE
	2-2266053-5	B	FINE CRIMP HEIGHT ADJUST	SERVO LATCH PLATE	OBSOLETE
	2-2266053-7	B	FINE CRIMP HEIGHT ADJUST	NONE	OBSOLETE
	7-2266053-7	A	CRIMP TOOLING KIT	-	

APPLICATOR DATA		
CRIMP	SIZE	TYPE
WIRE	2.28 mm (.090)	F
INSUL	3.68 mm (.145)	O
APPLICATOR INSTRUCTIONS 408-10389		

TERMINAL DATA: TE TERMINAL		TE CRIMP SPECIFICATION	
TERMINAL NAME: MINI MIC RECEPT CONTACT			
WIRE STRIP LENGTH		INSULATION DIAMETER RANGE	
3.00-3.50 mm (.118-.138 IN)		Ø1.70-3.30 mm (.067-.130 IN)	
TERMINAL APPLICATION SPECIFICATION	(A)114-20045		
	(B)114-20062		
TERMINALS APPLIED			
TE TERMINAL	TE TERMINAL	TE SEAL	TE SEAL
(A) 282110-1		(A) 281934-2	(B) 828904-1
		(A) 281934-3	(B) 828905-1

WIRE SIZE	CRIMP HEIGHT mm [INCH]	CRIMP HEIGHT REFERENCE SETTING
1.50mm2	1.40 +/- 0.05 [0.055 +/- .002]	6.3
1.00mm2	1.22 +/- 0.05 [0.048 +/- .002]	8.2
0.75mm2	1.14 +/- 0.05 [0.045 +/- .002]	9.1

- RECOMMENDED SPARE PARTS
- GREASE BEARING SURFACES LIGHTLY
- LUBRICATE DAILY PER THE APPLICATOR INSTRUCTION SHEET SUPPLIED WITH THE APPLICATOR.
- APPLICATOR SPECIFIC DATA TO BE ENTERED INTO BLANK MEMORY CHIP AT ASSEMBLY. SEE BELOW FOR PART NUMBER:
MECHANICAL FEED WITH "SMART APPLICATOR" CONVERSION: 8-2266053-4
PNEUMATIC FEED WITH "SMART APPLICATOR" CONVERSION: 8-2266053-4
SERVO FEED WITH "FINE CRIMP HEIGHT ADJUST": 8-2266053-5
- ADJUSTMENT OF THE STRIPPER MAY BE REQUIRED WHEN MOVING THE APPLICATOR BETWEEN BENCH AND LEADMAKER APPLICATIONS.
- APPLY PART NUMBER 1-23419-5 LOCTITE TO THREADS OF ITEMS 62 & 180. APPLY PART NUMBER 2-23419-6 LOCTITE TO THREADS OF ITEM 242.
- GREASE THREADS, GROOVE AND O-RING ON ITEMS 139 & 152.
- MAGNET MUST BE ORIENTED CORRECTLY IN ORDER TO PROPERLY ACTUATE THE COUNTER.
- CRIMP HEIGHT REFERENCE SETTING WAS THE SETTING USED WHEN THE APPLICATOR WAS QUALIFIED AT THE FACTORY. ADJUSTMENT MAY BE NECESSARY WHEN RUNNING APPLICATOR IN THE FIELD.
- SPARE FEED CAM STORAGE LOCATION REFER TO INSTRUCTION SHEET FOR ADDITIONAL INFORMATION.
- TO CONVERT THE APPLICATOR TO A NON-CARRIER CUTTING STYLE, REMOVE ITEM 13 AND ATTACH TO THE LOCATION ON BACK SIDE OF THE HOUSING. REFER TO INSTRUCTION SHEET FOR ADDITIONAL INFORMATION.
- THIS APPLICATOR APPLIES TERMINAL WITH A SEAL.
- APPLY TORO-SEAL IN ALLEN SOCKET TO FILL HOLE AFTER FLAT HD HAS BEEN ADJUSTED TO CORRECT HEIGHT AT QUALIFICATION. APPLY #1-23419-5 LOC-TITE TO THREADS.
- INSULATION SIZE DEPENDENT UPON SEAL BEING APPLIED:
INS. RANGE FOR SEAL 281934-2 IS Ø1.7-2.4mm
INS. RANGE FOR SEAL 281934-3 IS Ø2.5-3.3mm
INS. RANGE FOR SEAL 828905-1 IS Ø2.2-2.4mm
INS. RANGE FOR SEAL 828904-1 IS Ø1.9-2.1mm
- THE APPLICATOR IS SPECIFIC FOR USE IN A STRIPPER SEAL TERMINATING UNIT.

SET UP GAUGE	LOC	DIST	REVISIONS					
2119599-1	A	66	P	LYR	DESCRIPTION	DATE	OWN	APVD
			-	-	SEE SHEET 1	-	-	-

1	1	1	1	2079764-1	WASHER, WAVE SPRING, CREST-TO-CREST	243
1	1	1	1	2119083-1	RETAINER, INSULATION DIAL	242
1	1	1	1	7-18023-7	SCR, SKT HD CAP M3 X 4.0	241
-	-	-	-	2168400-6	SHCS, LOW HEAD, RoHS, M5 X 16	240
-	-	-	-	2119580-1	MECHANICAL FEED ASSEMBLY	239
-	-	-	-	2063440-1	AIR FEED MODULE	238
-	-	-	-	2119740-2	TAG, IDENTIFICATION	213
-	-	-	-	1901094-3	SPACER, FEEDER	198
1	1	1	1	4-1722335-3	STRIPPER, SIDE FEED	182
1	1	1	1	1-5018030-0	NUT, HEX, REG, RoHS, M3.5	181
1	1	1	1	1-1752354-9	STANDOFF, HOLD-DOWN	180
1	1	1	1	993111-1	PIN, SLOTTED SPRING 3.0 X 20.0	177
1	1	1	1	5-22280-0	SPRING, COMPRESSION	176
1	1	1	1	1752353-3	GUIDE PIN, HOLDDOWN	175
1	1	1	1	1901680-2	GUIDE PIN, HOLDDOWN	174
-	-	-	-	21045-3	RING, RETAIN, EXTERN, 3/16 CRESCENT	172
1	1	1	1	994969-1	MAGNET, RARE EARTH HIGH ENERGY	166
REF	REF	REF	REF	994970-2	COUNTER, MAGNETIC	164
-	-	-	-	240638-1	SPRING, FEED FINGER	163
1	1	1	1	8-21084-1	O-RING, .801 ID, .070 DIA. MAT.	152
-	-	-	-	2119641-2	FEED CAM, AIR FEED	151
1	1	1	1	2119798-2	DETENT PIN	145
1	1	1	1	2079383-8	SCR, BHSC, RoHS (M4 X 16)	144
4	4	4	4	2168400-5	SHCS, LOW HEAD, RoHS, M4 X 20	143
-	-	-	-	2119653-2	FEED CAM, POST FEED	142
1	1	1	1	2-2119656-2	APPLICATOR BASIC ASSEMBLY, SF	141
1	1	1	1	2119650-1	RAM, ASIAN STYLE, SIDE FEED	140
1	1	1	1	2119092-2	BOLT, ADJUSTMENT	139
-	-	-	-	3-23627-7	PIN, RETAIN, GRVD, 3/16 X .854	137
-	-	-	-	2119799-1	HOLDER, FEED FINGER, AF	136
-	-	REF	-	-	MEMORY CHIP, PROGRAMMED	135
-	-	1	-	-	SERVO FEED LATCH ASM	133
1	1	1	1	1-18028-2	WASHER, FLAT, REG M4	119
-	-	REF	-	-	FEED FINGER ASSEMBLY, SF	117
1	1	1	1	455888-5	SPACER, CRIMPER	82
1	1	1	1	2119956-1	DOCUMENTATION PACKAGE	71
1	-	1	1	2119740-1	TAG, IDENTIFICATION	67
-	2	2	2	2168078-1	SCREW, DRIVE, RH, RoHS, 2 x .188	66
1	1	1	1	2119793-1	LIMITER, ADJUSTMENT BOLT	63
-	3	3	3	992763-5	SCR, SET, SOC, CONE PNT, M3 X 4.0	62
-	-	-	-	5-18022-5	SCR, HEX HD CAP, M4 X 6.0	59
1	1	1	1	985575-3	SCR, FLT SKT HD CAP M3 X 10.0	57
-	-	-	-	1338685-1	PAWL, FEED	56
-	2	2	2	2168083-3	SCR, SKT HD CAP, RoHS, M4 X 12.0	53
1	1	1	1	5018030-1	NUT, HEX, REG, RoHS, M3	52
1	1	1	1	811242-5	BUMPER, HOLD DOWN	51
1	1	1	1	690753-2	SPACER, TONKER	50
-	-	-	-	18023-9	SCR, SKT HD CAP M4 X 6.0	49
-	-	-	-	2119652-1	FEED CAM, PRE FEED	48
1	1	1	1	2079383-7	SCR, BHSC, RoHS (M8 X 25)	41
1	1	1	1	2119645-1	DISC, NUMBERED FA WIRE ADJUSTMENT	40
1	1	1	1	2119957-1	APPLICATOR SHIM PACK	39
1	1	1	1	1-2119644-2	RAM WASHER, PRECISION	38
1	1	1	1	2-1752356-0	SUPPORT, TERMINAL	34
-	2	2	2	2079383-5	SCR, BHSC, RoHS (M4 X 20)	33
1	1	1	1	2161328-1	HEX HEAD, FLANGED, M5 X 8mm LONG	32
1	1	1	1	1-1320908-0	SPACER, STRIP GUIDE	30
1	1	1	1	2119959-1	ASSEMBLY, STRIP GUIDE	29
1	1	1	1	455888-3	SPACER, CRIMPER	28
1	1	1	1	1320928-2	STRIP GUIDE	24
1	1	1	1	2119806-1	INSERT, SHEAR	13
1	1	1	1	3-22280-3	SPRING, COMPRESSION	12
1	1	1	1	1-356885-4	STOP, SHEAR	11
1	1	1	1	2119805-1	SHEAR HOLDER, FRONT	10
1	1	1	1	318707-1	FLOATING SHEAR, FRONT	9
1	1	1	1	1332205-6	ANVIL, COMBINATION	8
1	1	1	1	3-240641-4	SPACER	7
-	-	-	-	-	-	6
1	1	1	1	2119781-1	DEPRESSOR, SHEAR	5
1	1	1	1	2-238011-2	BLOCK, CRIMPER SPACER	4
1	1	1	1	3-2119784-8	CRIMPER, INSULATION O PREMIUM	3
1	1	1	1	455888-9	SPACER, CRIMPER	2
1	1	1	1	4-456406-1	CRIMPER, WIRE PREMIUM	1

***WARNING**
ON INSTALLATION, SET WIRE DISC, ITEM 40 TO LARGEST WIRE SIZE SETTING. USE OF SETTINGS BELOW MINIMUM REQUIRED CRIMP HEIGHT SETTING WILL CAUSE DAMAGE TO CRIMP TOOLING.

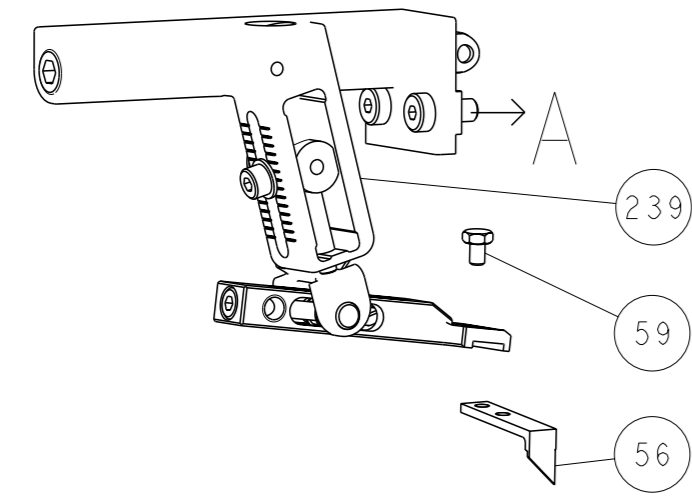
-	1	1	1	1	2119782-1	FINE ADJUST HEAD ASM, PACIFIC STYLE	251
-	-	-	-	-	2119640-1	PUSH ROD, AIR FEED	250
-	-	-	-	-	2079988-1	BUSHING, LCH5-12, MISUMI	249
-	1	1	1	1	1-22279-3	SPRING, COMPRESSION	246
-	1	1	1	1	2119082-9	CAM, SNAIL, INSULATION ADJUSTMENT	244
-77	-27	-25	-22	-21	PART NO	DESCRIPTION	ITEM NO

PACIFIC VERSION
Shown on sheets 3 of 4 & 4 of 4
(Atlantic version shown on sheets 1 of 4 & 2 of 4)

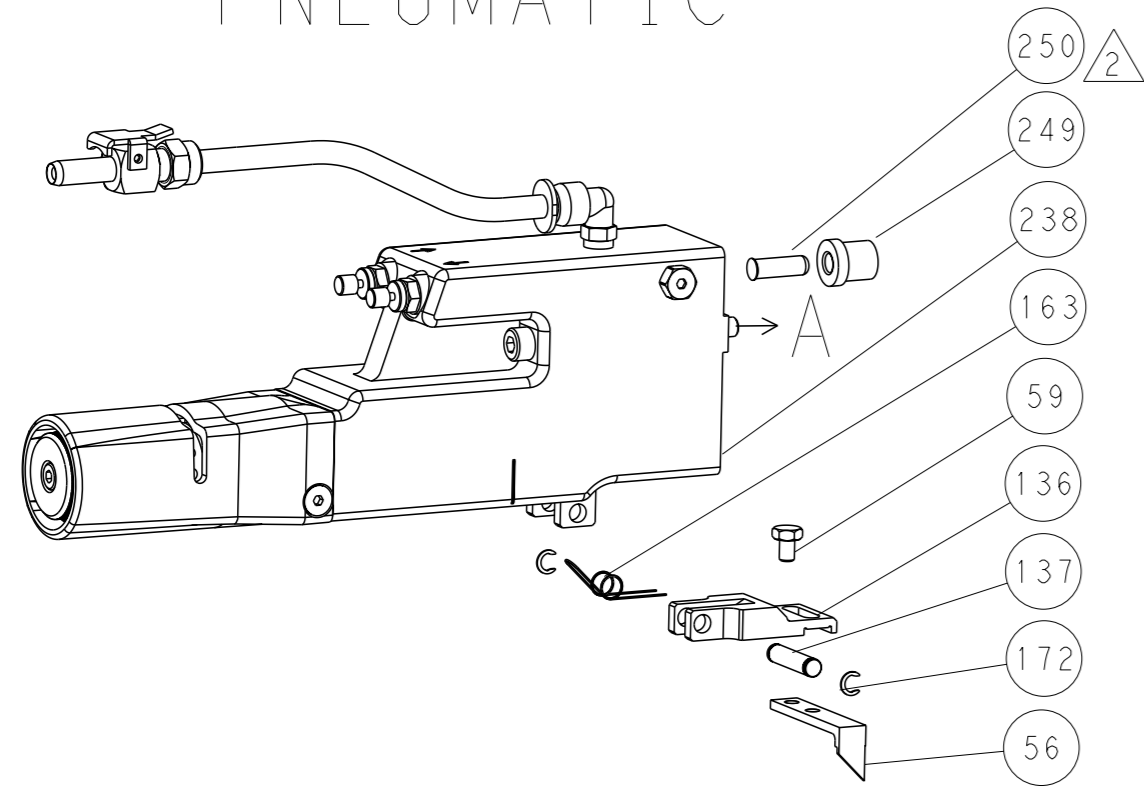
DIMENSIONS:		TOLERANCES UNLESS OTHERWISE SPECIFIED:		OWN		REV	
mm	0 PLC ±	1 PLC ±	2 PLC ±	3 PLC ±	4 PLC ±	5 PLC ±	ANGLES FINISH
MATERIAL				WEIGHT	SCALE	SHEET	REV
Customer Accessible Production Drawing				SCALE	1:2	SHEET	3 of 4

LOC	DIST	REVISIONS			
A	66	REV	DATE	OWN	APVD
		1	SEE SHEET 1		

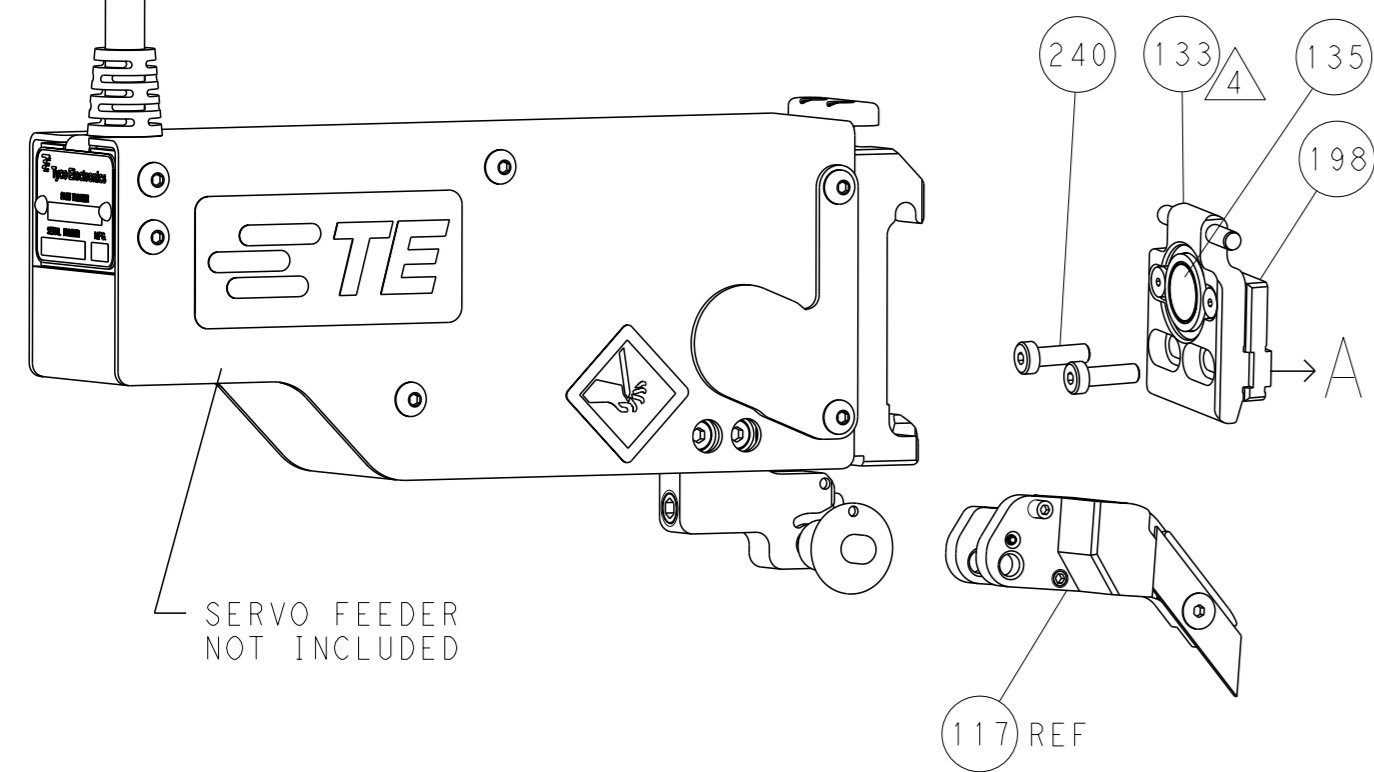
FEED TYPE MECHANICAL



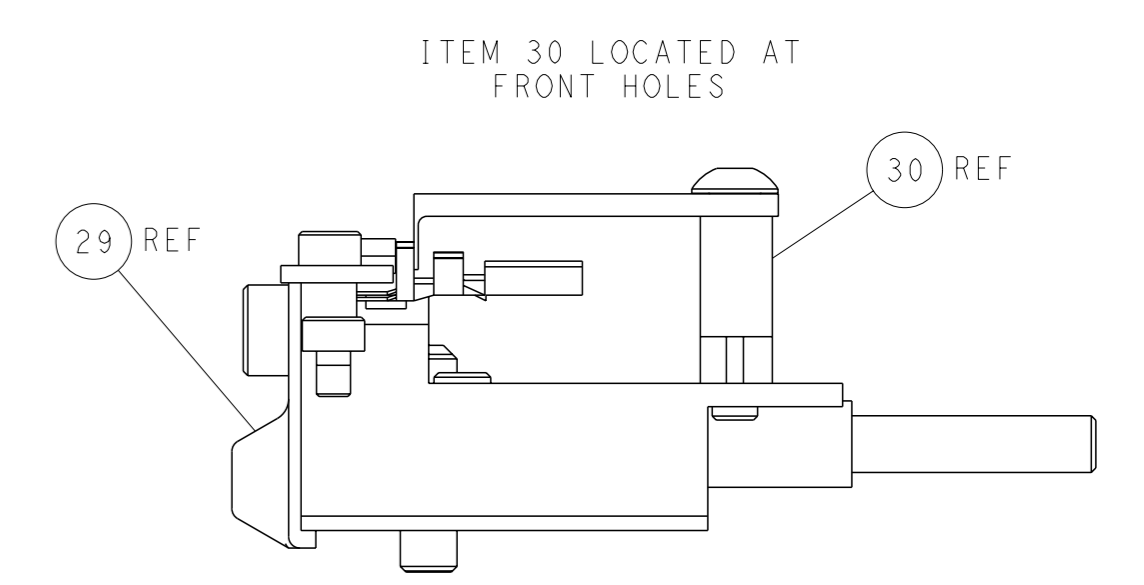
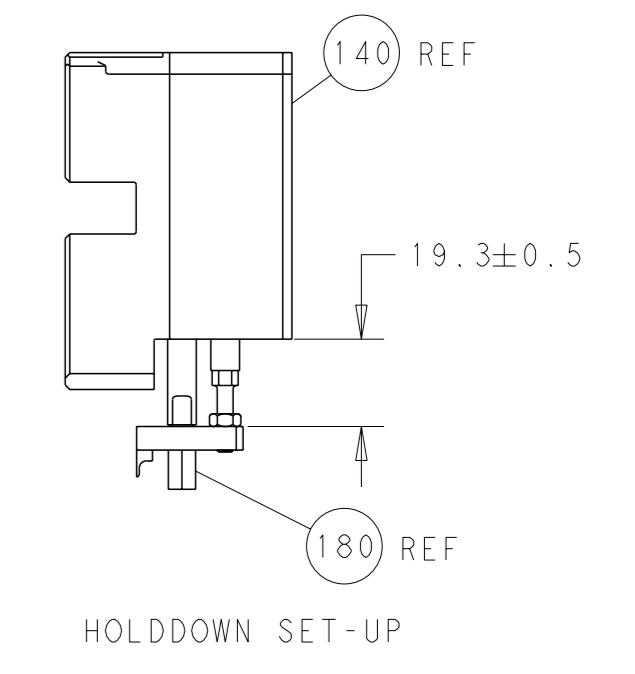
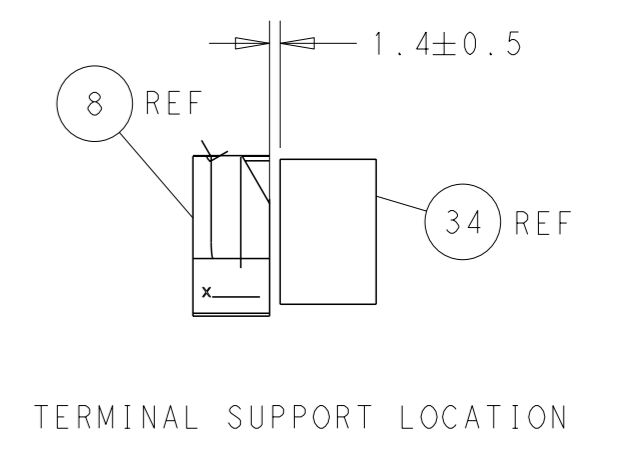
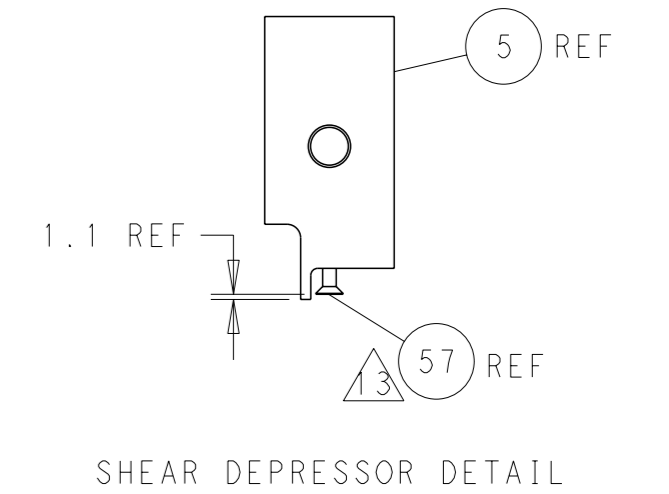
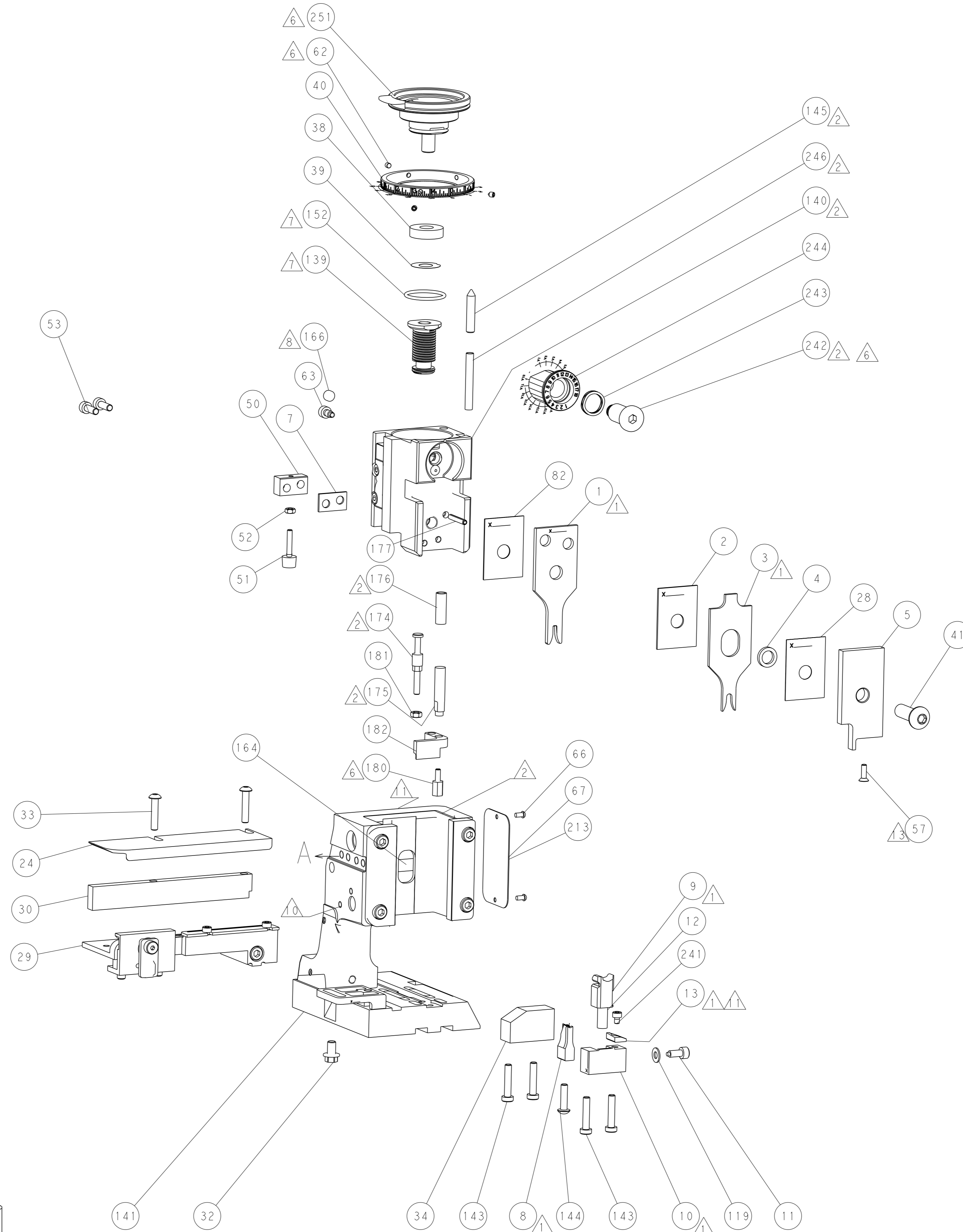
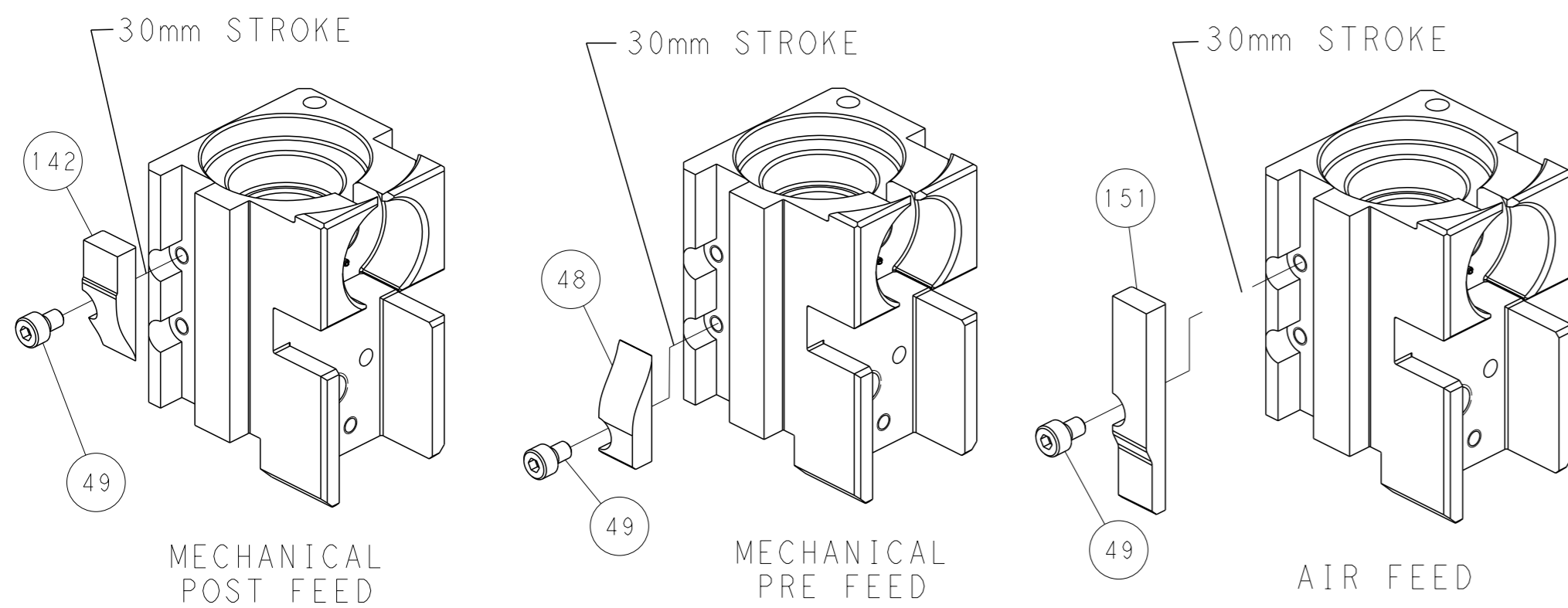
PNEUMATIC



SERVO LATCH PLATE



CAM POSITIONS



PACIFIC VERSION
 Shown on sheets 3 of 4 & 4 of 4
 (Atlantic version shown on sheets 1 of 4 & 2 of 4)

<small>THIS DRAWING IS A CONTROLLED DOCUMENT FOR TYCO ELECTRONICS CORPORATION. IT IS SUBJECT TO CHANGE AND THE USER MUST CONTACT THE DESIGNATION OFFICE FOR THE LATEST REVISION.</small>		OWN: X_ZHAO 25SEP2013 CHK: T_ELFIN 25SEP2013 APVD: L_ZHANG 25SEP2013	NAME: Ocean Side Feed Applicator SIZE: A1 CAGE CODE: 00779 DRAWING NO: C=2266053	RESTRICTED TO: - SCALE: 1:2 SHEET: 4 of 4 REV: B1
DIMENSIONS: mm TOLERANCES UNLESS OTHERWISE SPECIFIED: 0 PLC ± 1 PLC ± 2 PLC ± 3 PLC ± 4 PLC ± ANGLES FINISH ±	WEIGHT: - MATERIAL: -	APPLICATION SPEC: - PRODUCT SPEC: -	CUSTOMER ACCESSIBLE PRODUCTION DRAWING	