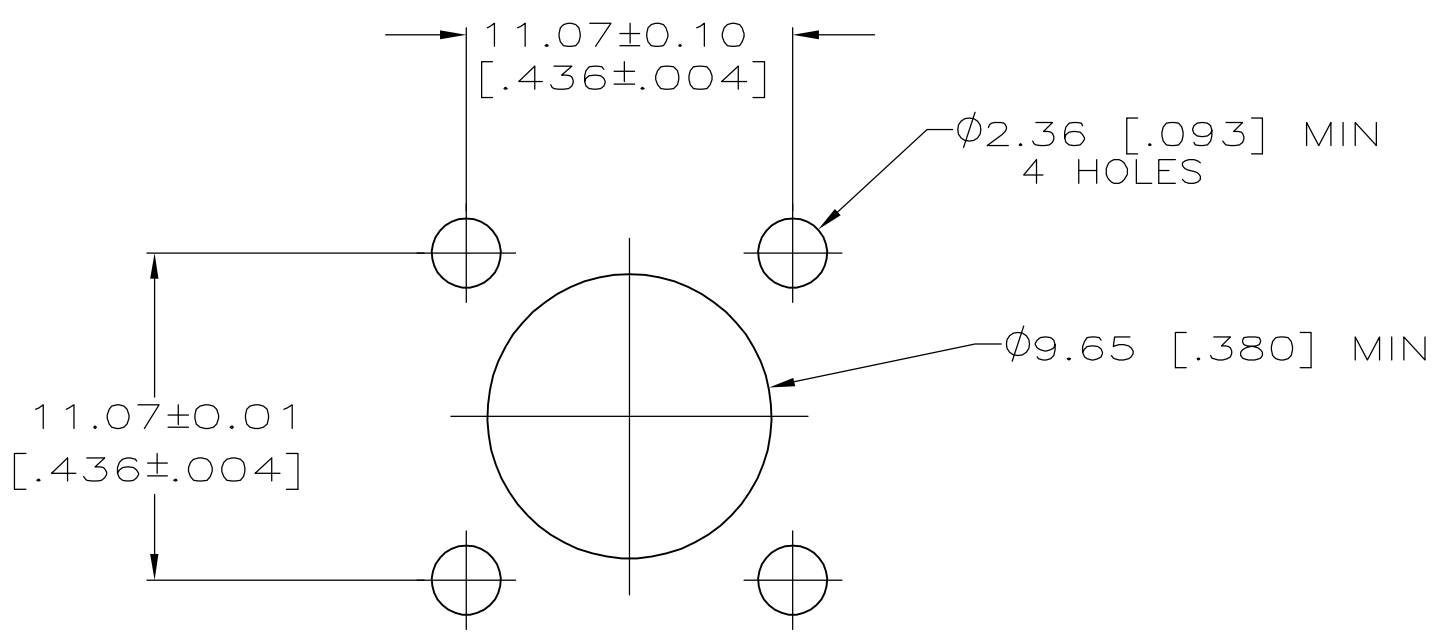
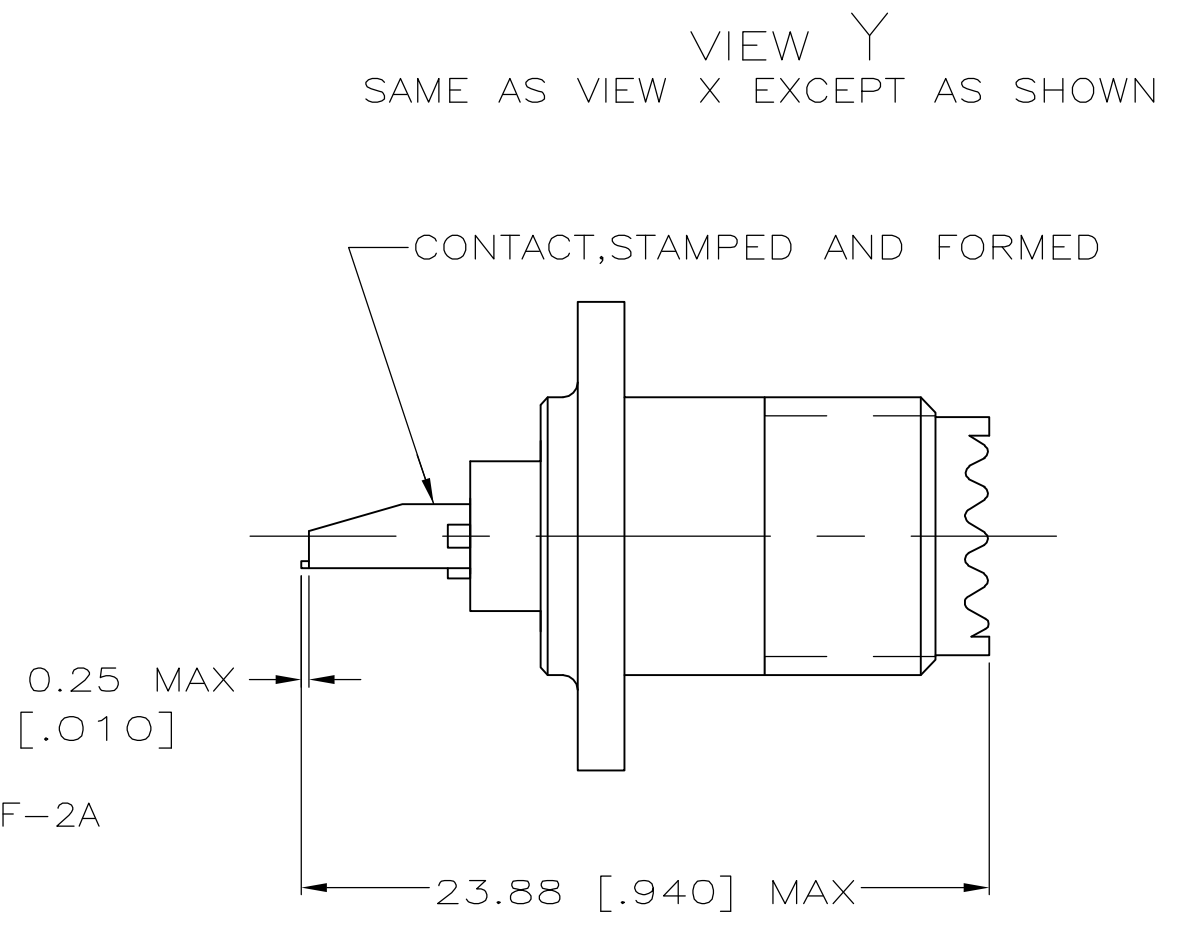
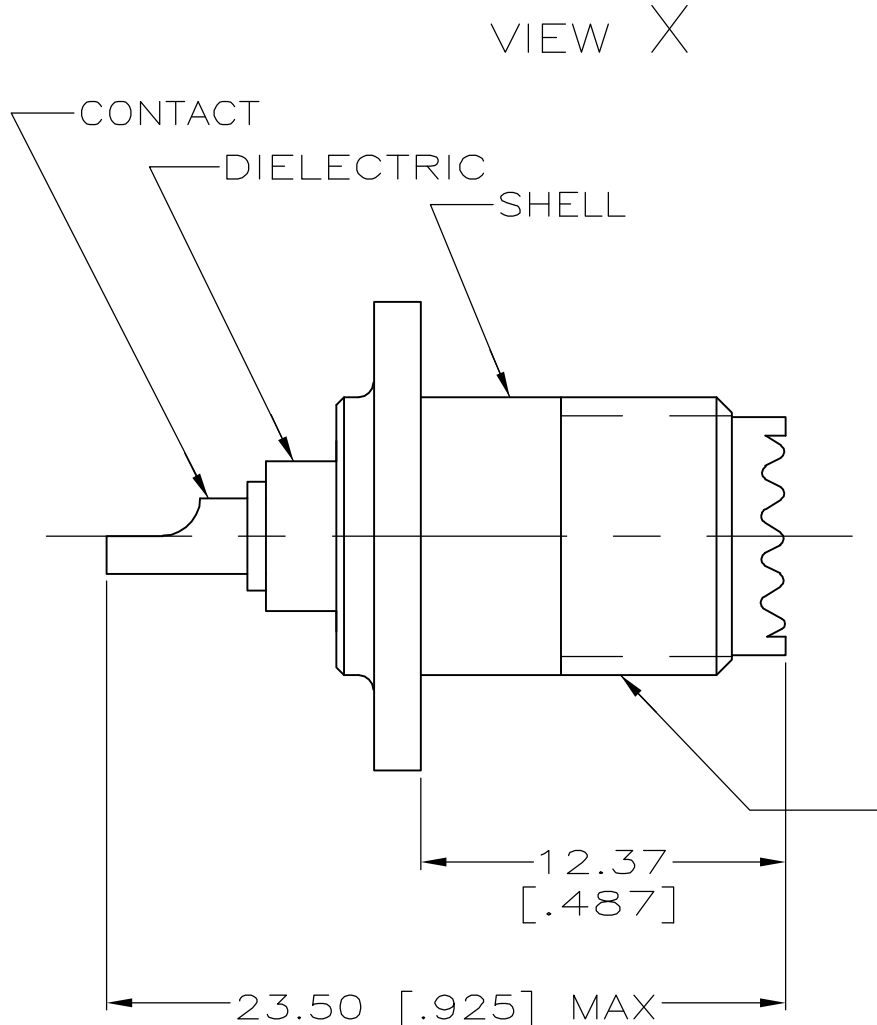
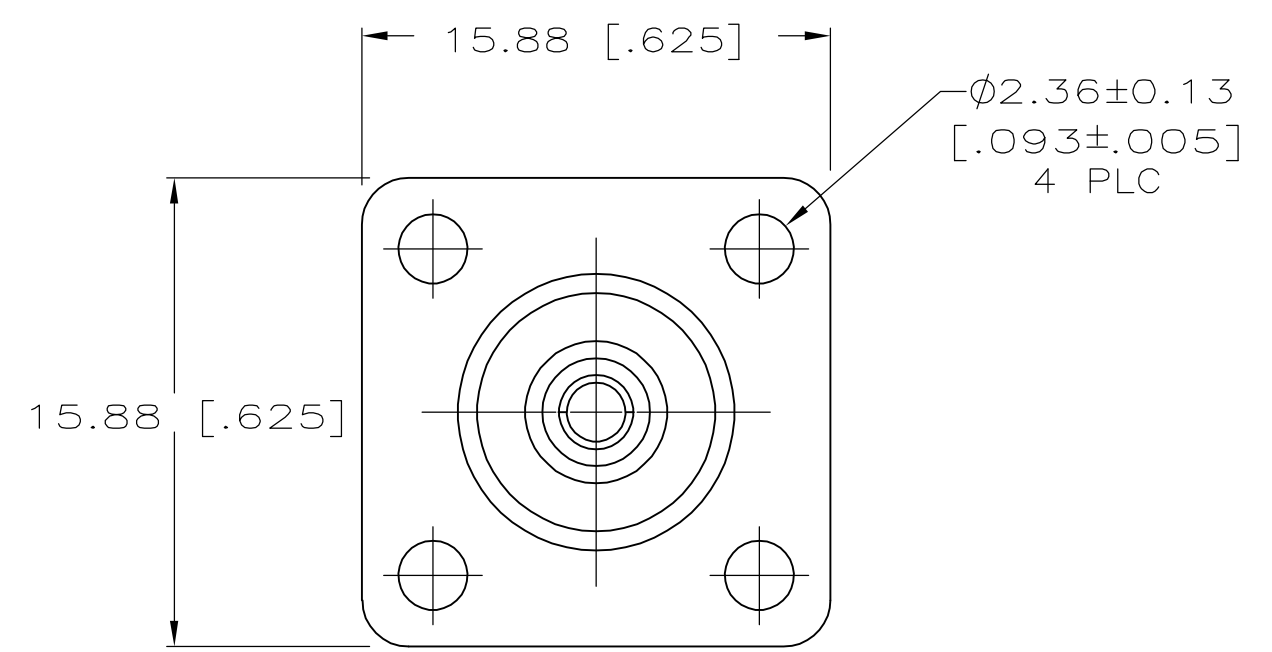


THIS DRAWING IS UNPUBLISHED. RELEASED FOR PUBLICATION  
 © COPYRIGHT BY TYCO ELECTRONICS CORPORATION. ALL RIGHTS RESERVED.

LOC	DIST	REVISIONS					
		P	LTR	DESCRIPTION	DATE	DWN	APVD
AJ	16		H1	REVISED PER ECO-06-018709	18SEP2006	MC	JH

- 1 ZINC PER QQ-Z-363
- 2 PTFE PER MIL-P-19468
- 3 PHOS BRONZE PER QQ-B-750
- 4 POLYMETHYLPENTENE GENERAL PURPOSE
- 5 BRASS PER QQ-B-626
- 6 TIN PL PER MIL-T-10727, 3.81μm [.000150] MIN THK
- 7 TIN PL PER MIL-T-10727B TYPE 2, 2.54μm [.000100] MIN THK
- 8 NICKEL PL PER QQ-N-290, 3.81μm [.000150] MIN THK
- 9 TIN PL PER MIL-T-10727B TYPE 2, 2.54μm [.000100] MIN THK (POST PLATED)
- 10 BLACK CHROMATE PLATE OVER ZINC PLATE PER ASTM-B-633
- 11 BLACK NICKEL PLATE



RECOMMENDED PANEL CUTOUT

OBSOLETE	Y	1	10	4	3	9	226601-6
OBSOLETE	Y	1	11	4	3	9	226601-5
OBSOLETE	X	1	8	4	5	6	226601-4
	Y	1	8	4	3	9	226601-3
OBSOLETE	Y	1	8	4	3	7	226601-2
OBSOLETE	X	1	8	2	5	6	226601-1
	VIEW	SHELL	DIELECTRIC	CONTACT	PART NO		

THIS DRAWING IS A CONTROLLED DOCUMENT.		DWN M. SNEED 6-25-91	<b>tyco</b> Electronics		Tyco Electronics Corporation Harrisburg, PA 17105-3608	
DIMENSIONS: INCHES		CHK R. HENRY 6-25-91	NAME RECEPTACLE,PANEL,MINIATURE UHF			
TOLERANCES UNLESS OTHERWISE SPECIFIED:		APVD -	PRODUCT SPEC -			
0 PLC ± -		APPLICATION SPEC -				
1 PLC ± -		SIZE A2				
2 PLC ± -		CAGE CODE 00779				
3 PLC ± 0.20[.008]		DRAWING NO C=226601				
4 PLC ± -		RESTRICTED TO -				
ANGLES ± -		SCALE 4:1				
FINISH SEE TABLE		SHEET 1 OF 1				
MATERIAL SEE TABLE		REV H1				
CUSTOMER DRAWING						