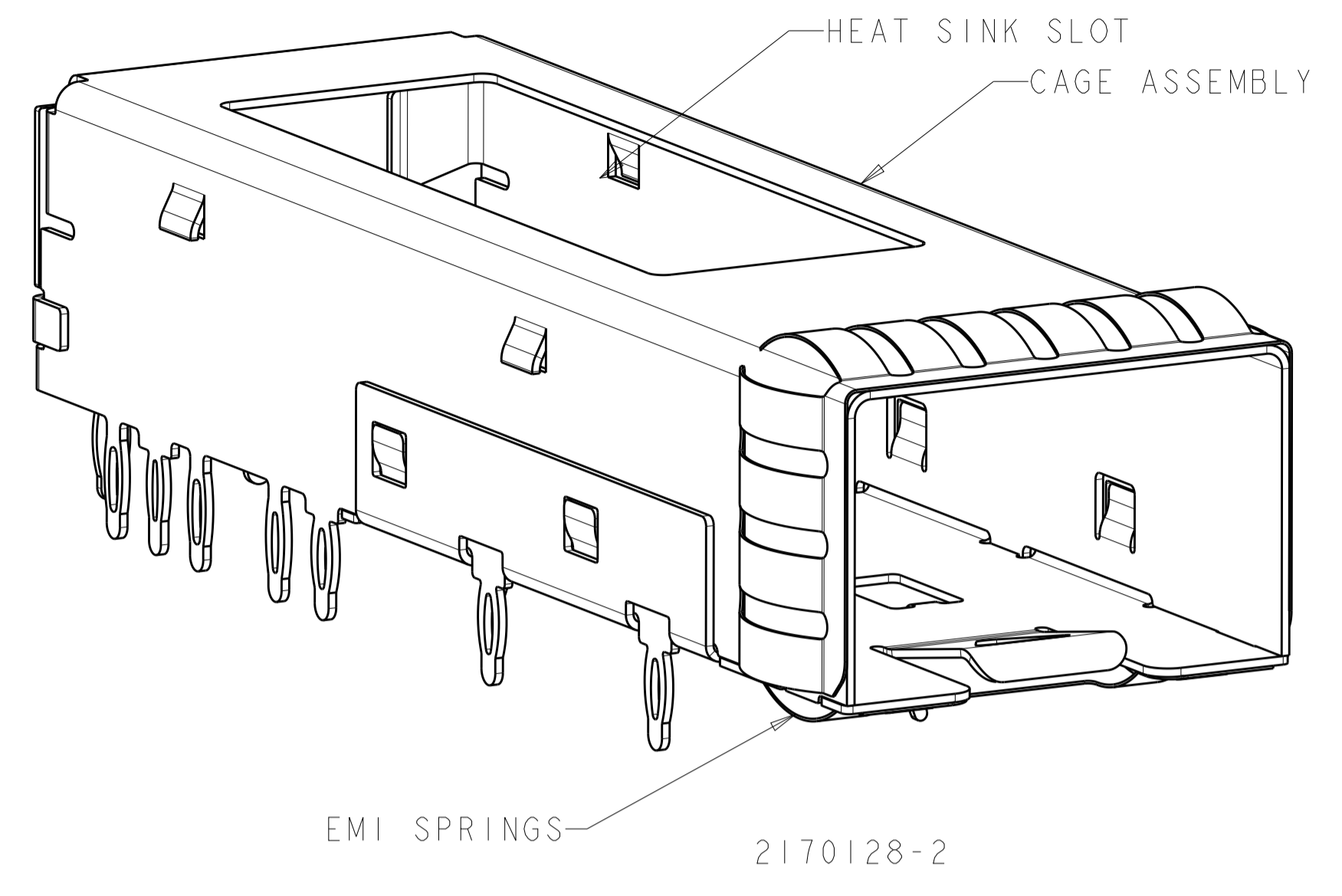
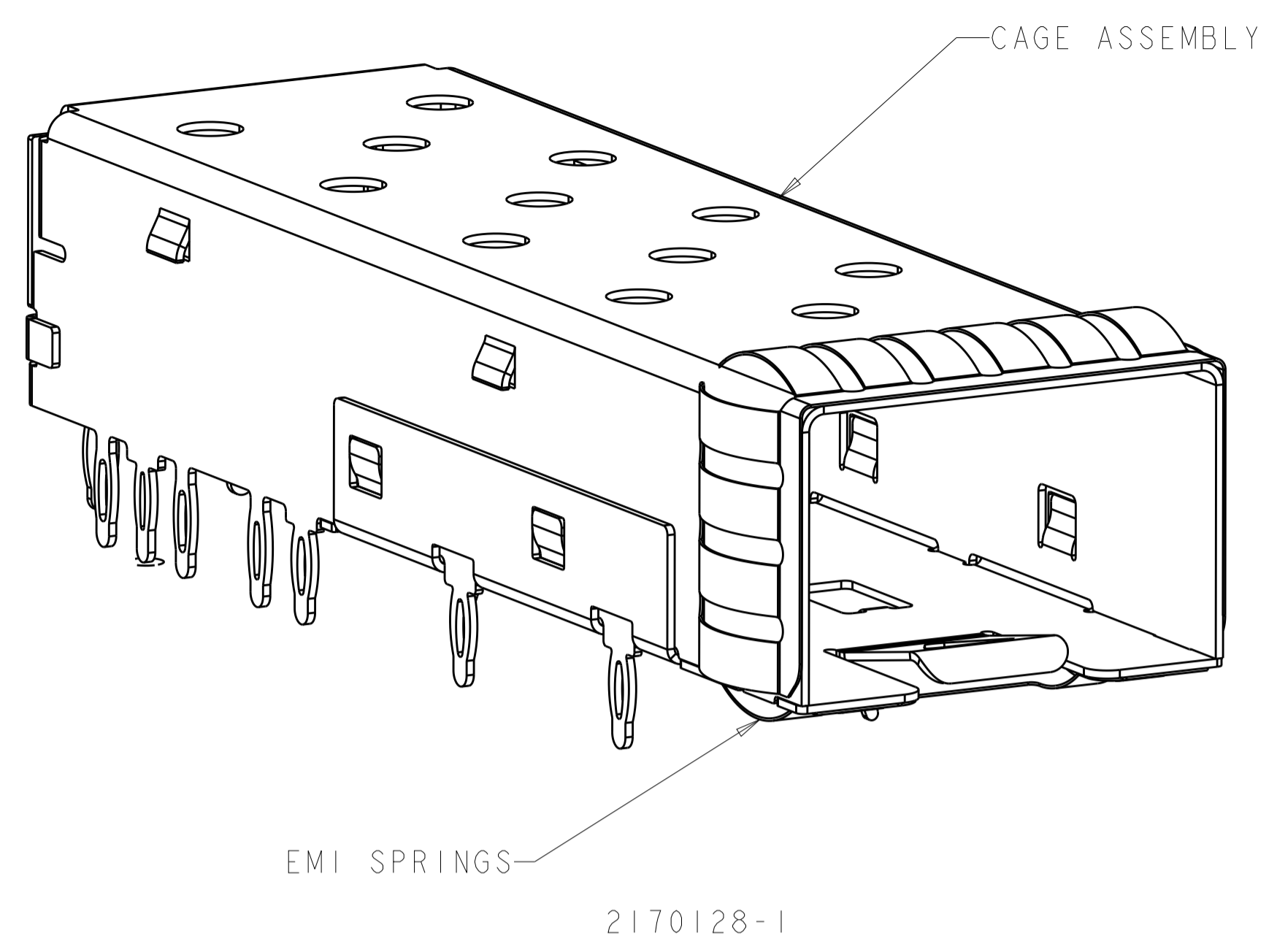
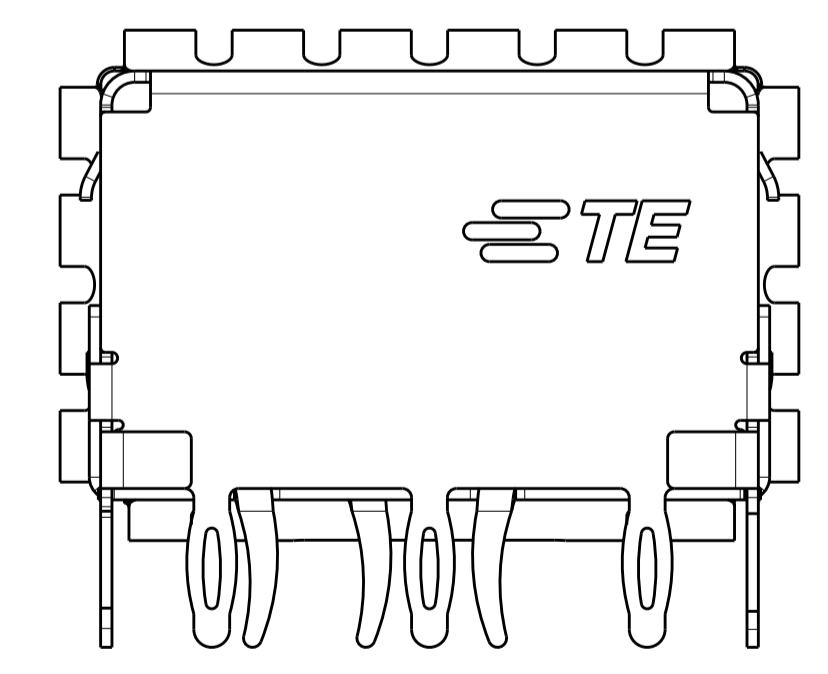
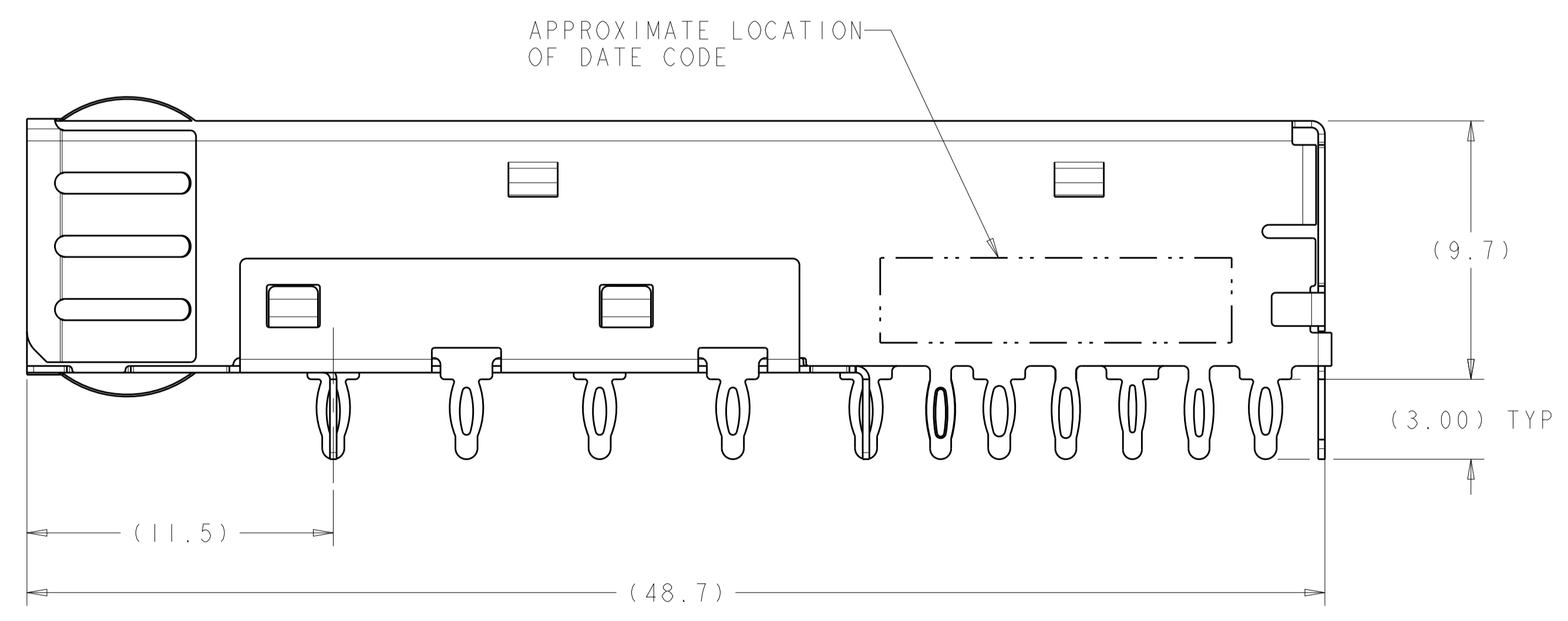
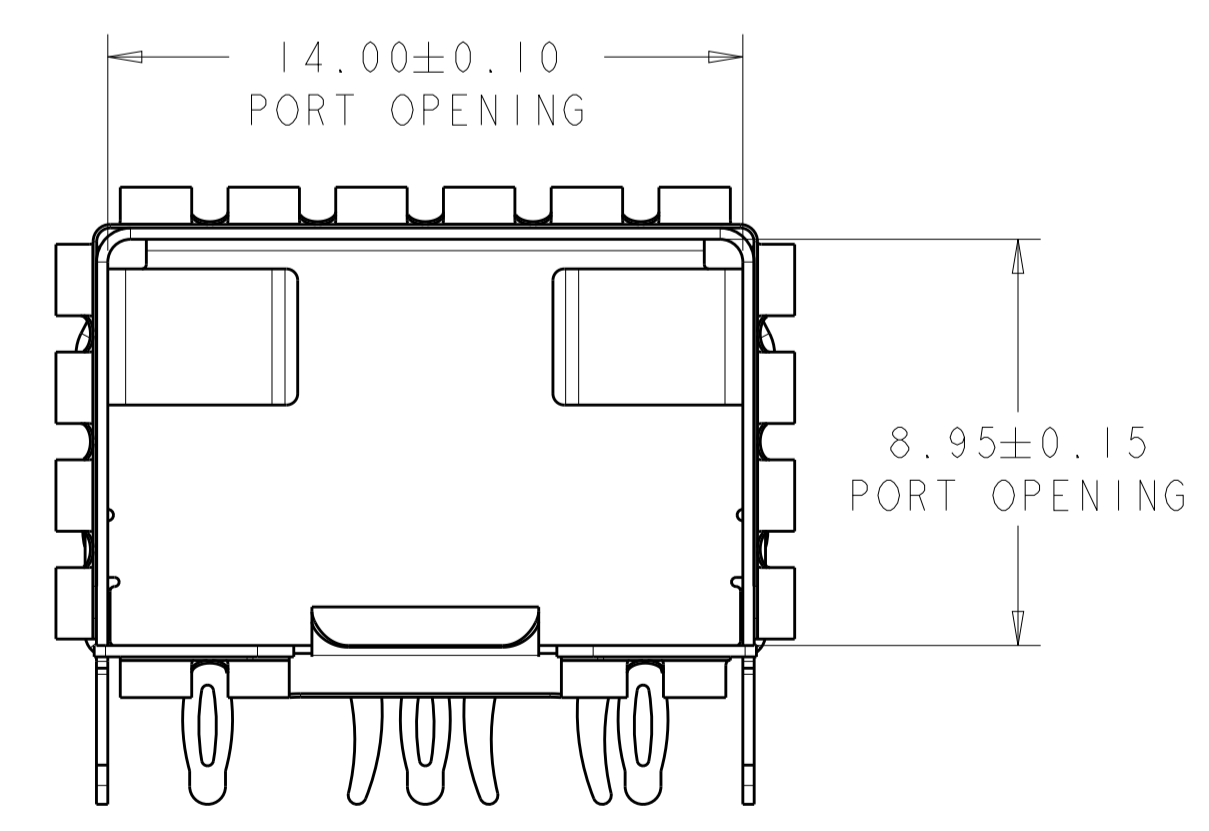
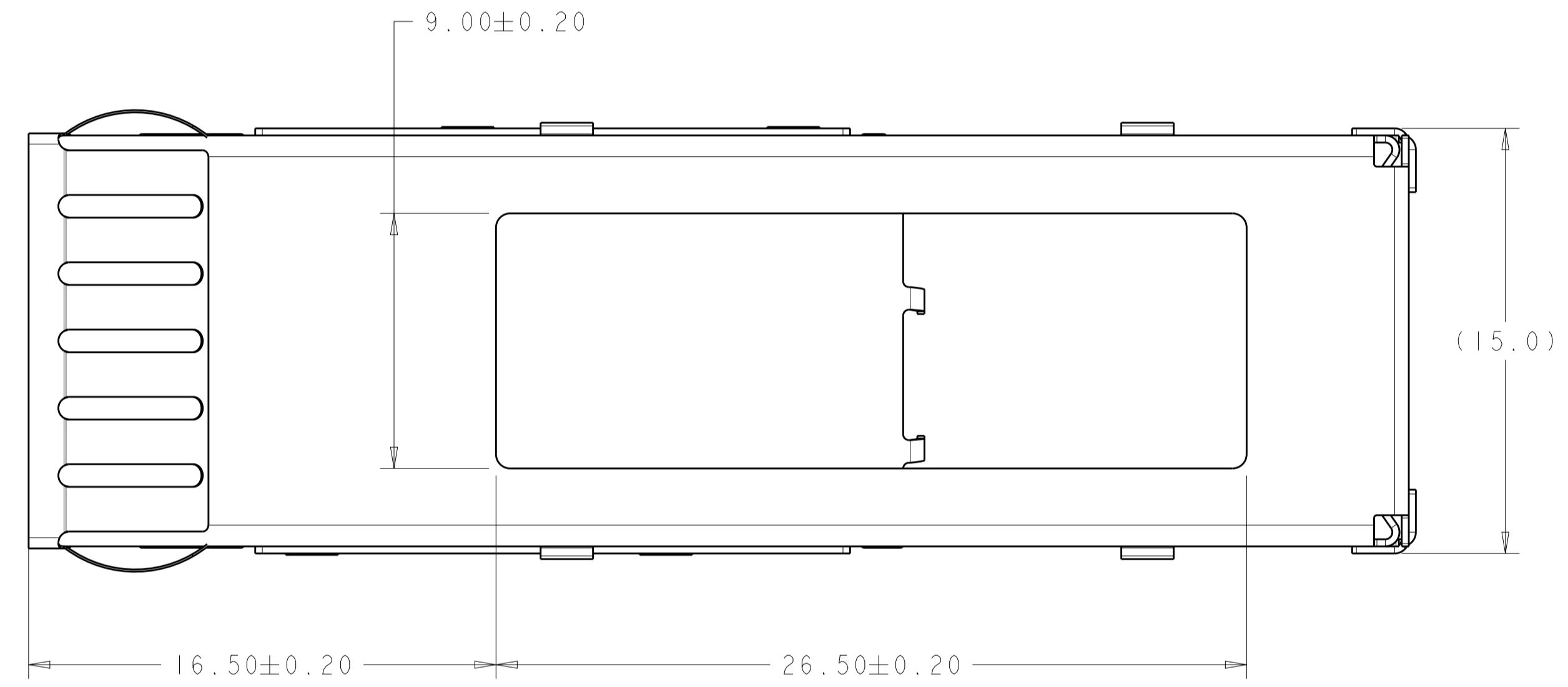


| LOC | DIST | REVISIONS | | | |
|-----|------|----------------------------|-----------|-----|------|
| P | LTN | DESCRIPTION | DATE | DMN | APVD |
| GP | 00 | | | | |
| | A | RELEASED PER ECO-13-007850 | 09MAY2013 | PP | SH |
| | A1 | RELEASED PER ECO-13-015033 | 24SEP2013 | JZ | SH |
| | A2 | REVISED PER ECR-18-019121 | 28MAR2019 | IT | SH |



- ⚠ MATERIAL:
CAGE ASSEMBLY - NICKEL-SILVER ALLOY.
EMI SPRINGS - COPPER ALLOY.
- ⚠ FINISH:
EMI SPRINGS - 0.8-2um NICKEL PLATE
NON-PLATED EDGES PERMISSIBLE.
- 3. MATES WITH SFP MSA COMPLIANT TRANSCEIVERS.
- ⚠ PADS AND VIAS CHASSIS GROUND.
- ⚠ DATUM AND BASIC DIMENSION ESTABLISHED BY CUSTOMER.
- 6. MINIMUM PC BOARD THICKNESS:
SINGLE SIDED = 1.50 mm
- ⚠ REFERENCE APPLICATION SPEC. 114-13120, HOLE A, FOR
RECOMMENDED DRILL HOLE DIAMETER AND PLATING
THICKNESS.
- ⚠ REFERENCE APPLICATION SPEC. 114-13120, HOLE C, FOR
RECOMMENDED DRILL HOLE DIAMETER AND PLATING
THICKNESS.



| | |
|------------------------|-------------|
| WITH HEAT SINK SLOT | 2170128-2 |
| WITHOUT HEAT SINK SLOT | 2170128-1 |
| DESCRIPTION | PART NUMBER |

| | | | | |
|---|--|---------------------------|-----------|--|
| THIS DRAWING IS A CONTROLLED DOCUMENT. | | DMN | 30AUG2011 | TE Connectivity NAME SFP+ 1X1 CAGE ASSEMBLY PRESS-FIT, EXTERNAL EMI SPRINGS |
| DIMENSIONS: | | CHK | 30AUG2011 | |
| mm | | C. WANG | 30AUG2011 | |
| TOLERANCES UNLESS OTHERWISE SPECIFIED: 0 PLC ±0.25 1 PLC ±0.20 2 PLC ±0.20 3 PLC ±0.15 4 PLC ±0.15 ANGLES ±0.15 | | APVD | C. WANG | |
| MATERIAL | | PRODUCT SPEC | | RESTRICTED TO |
| FINISH | | APPLICATION SPEC | | |
| ⚠ ⚠ | | 114-13120 | | |
| Customer Drawing | | WEIGHT | | |
| | | SIZE CAGE CODE DRAWING NO | | |
| | | A100779C=2170128 | | |
| | | SCALE 6:1 | | |
| | | SHEET 1 OF 2 | | |
| | | REV A2 | | |

