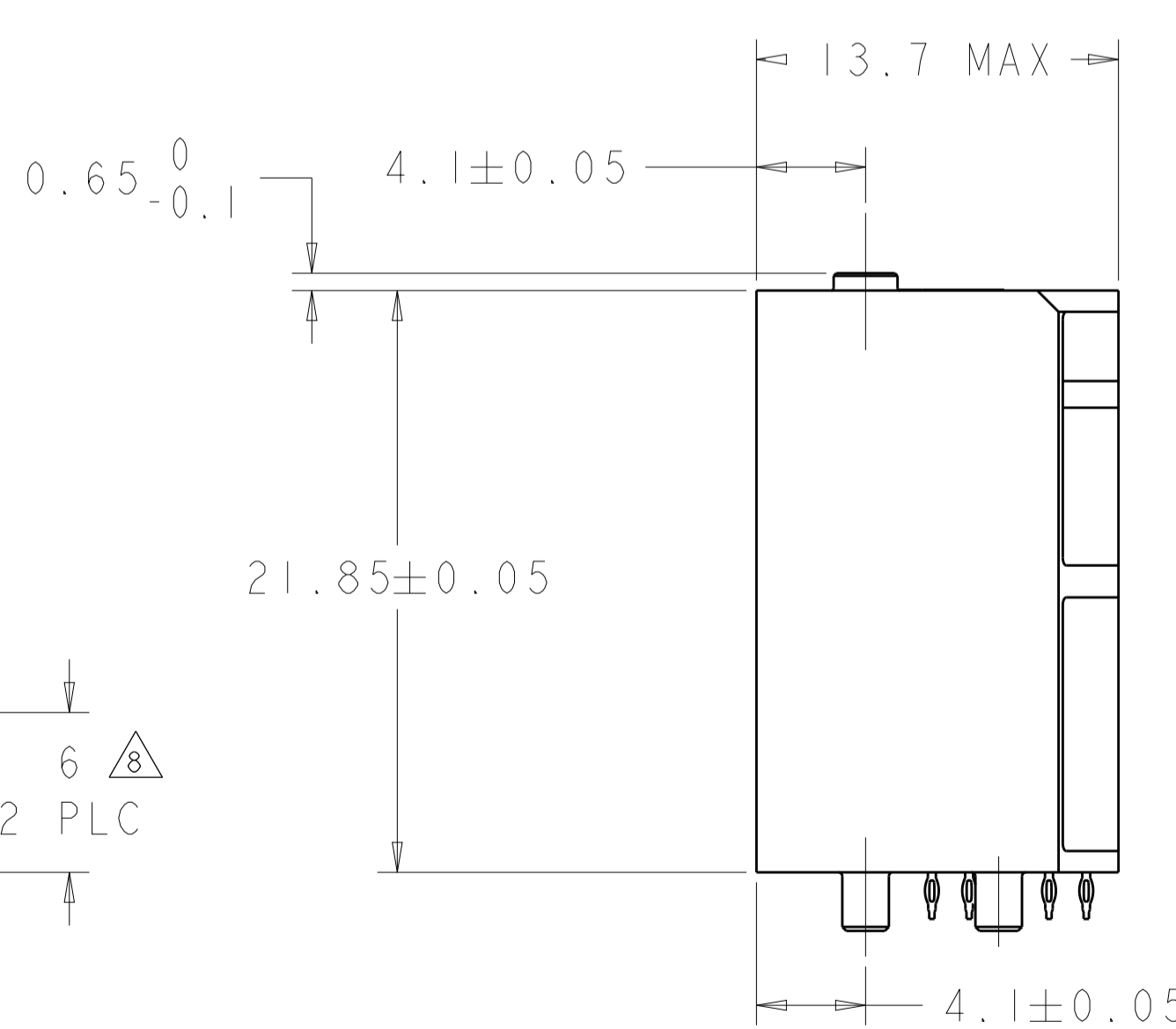
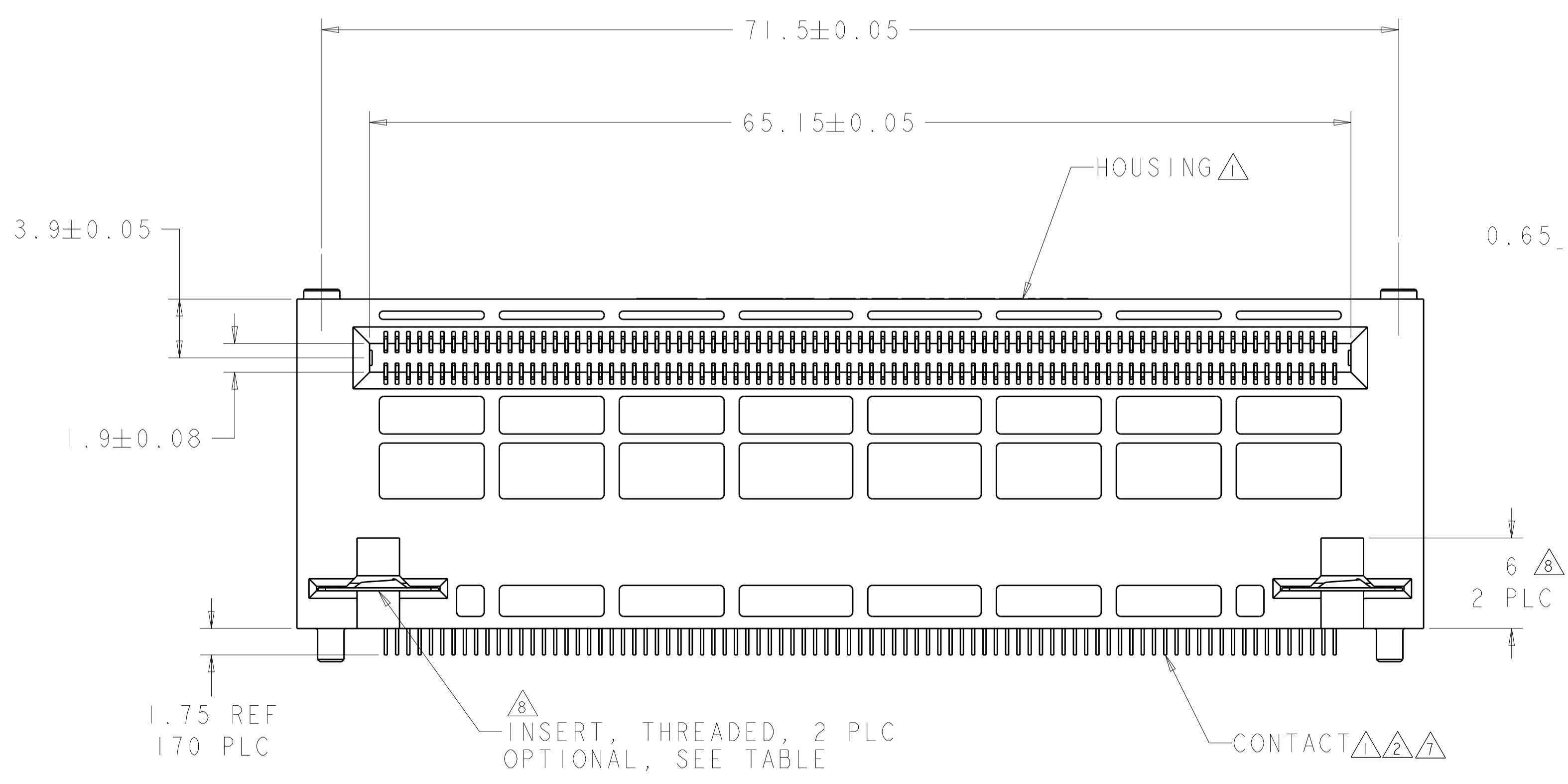
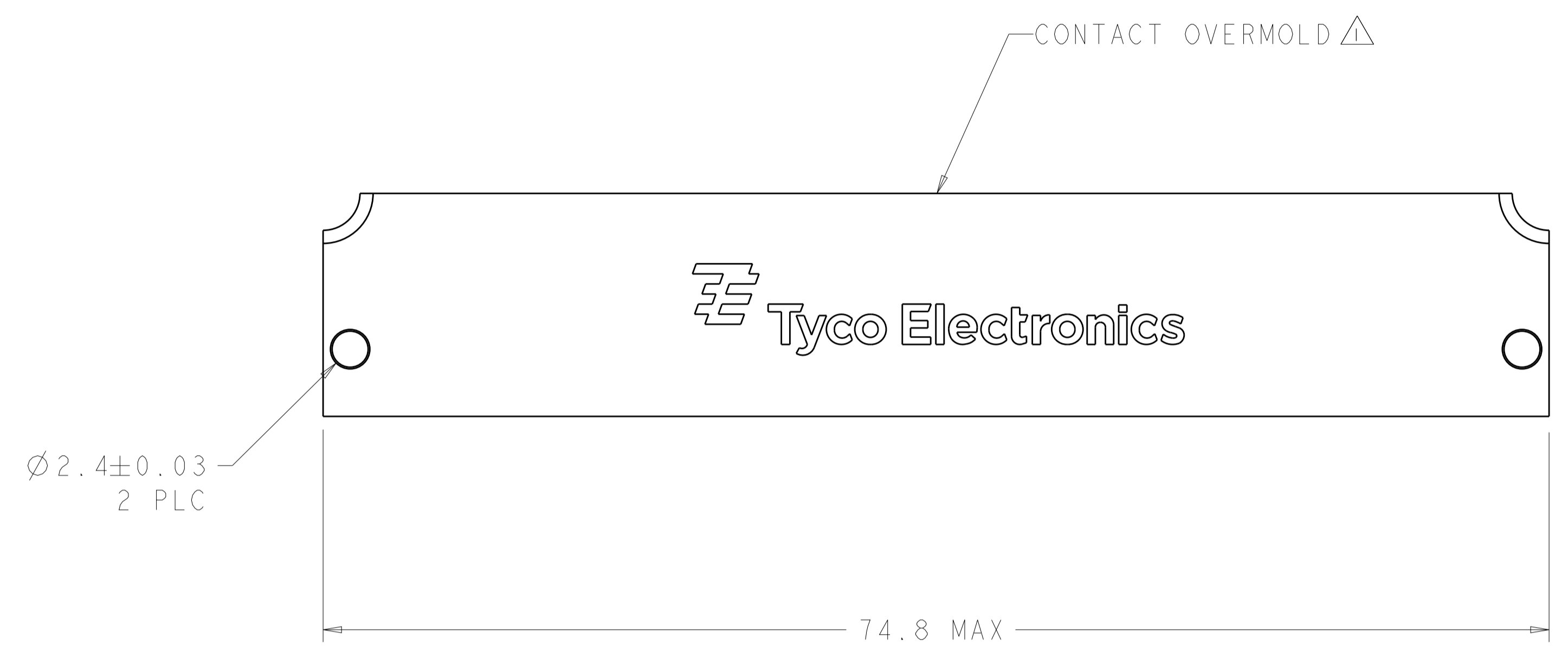


LOC	DIST	REVISIONS			
P	LTN	DESCRIPTION	DATE	DWN	APVD
A		A RELEASE	24OCT2019	SY	HL



- △ HOUSING: LCP, UL94V-0 RATED
CONTACT OVERMOLD: POLYESTER, PBT,
30% GLASS FIBER REINFORCED
CONTACT: COPPER ALLOY
- △ CONTACT FINISH: 1.27 MICROMETER MIN TIN-LEAD OVER
1.27 MICROMETER MIN NICKEL ON TAIL
SURFACE TREATMENT OVER 0.76 MICROMETER MIN GOLD OR 0.64 MICROMETER
MIN PALLADIUM-NICKEL OVER 1.27 MICROMETER MIN NICKEL ON MATING AREA
- △ MANUFACTURING TOLERANCE FOR $\varnothing 0.40$ REF FINISHED HOLE WITH Sn Pb PLATING:
DRILLED HOLE = $\varnothing 0.50 \pm 0.02$
COPPER PLATING = 0.025-0.050
Sn Pb PLATING = 0.0038-0.0124
OR
 $\varnothing 0.425$ REF FINISHED HOLE WITHOUT Sn Pb PLATING
DRILLED HOLE = $\varnothing 0.50 \pm 0.02$
COPPER PLATING = 0.025-0.050 WITH EITHER
OSP = 0.0002-0.0005 OR
IMMERSION Ag = 0.0001 MIN OR
IMMERSION Au/Ni = 0.0001-0.0005 AU / 0.004-0.0076 Ni
- △ DESIGN WILL ACCEPT MODULES THAT MEET THE REQUIREMENTS
OF PICMG AMC.0 RI.0 ADVANCED MEZZANINE CARD CONNECTOR
- △ SIGNAL GROUND VIAS, 28 PLACES, PCB ONLY, NOT
USED IN CONNECTOR
- △ DATUM -F- AND BASIC DIMENSION ESTABLISHED BY
CUSTOMER'S FIDUCIALS
- △ CONTACT FINISH: 1.27 MICROMETER MIN TIN OVER
1.27 MICROMETER MIN NICKEL ON TAIL
SURFACE TREATMENT OVER 0.76 MICROMETER MIN GOLD OR 0.64 MICROMETER
MIN PALLADIUM-NICKEL OVER 1.27 MICROMETER MIN NICKEL ON MATING AREA
- △ MOUNTING SCREW REQUIREMENTS: CUSTOMER SUPPLIED M2.5 X 0.45 8mm LONG
LENGTH DETERMINED BY: PCB THICKNESS 2.4 ± 0.2 , WASHER THICKNESS 0.9 ± 0.3
CHANGES IN PCB AND/OR WASHER THICKNESS MAY EFFECT SCREW LENGTH.
MAXIMUM ALLOWABLE TORQUE, 2.0 Kg/cm

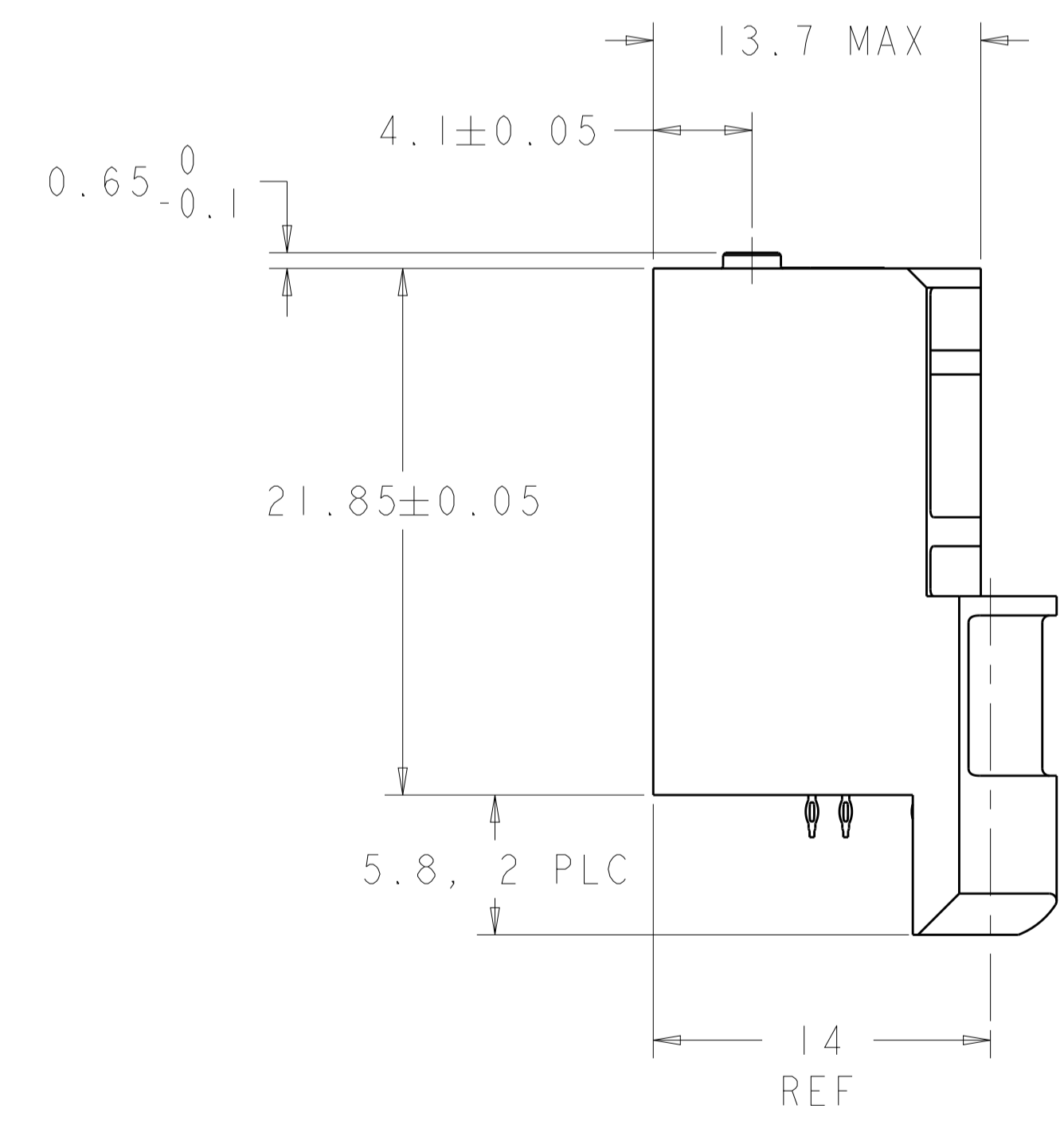
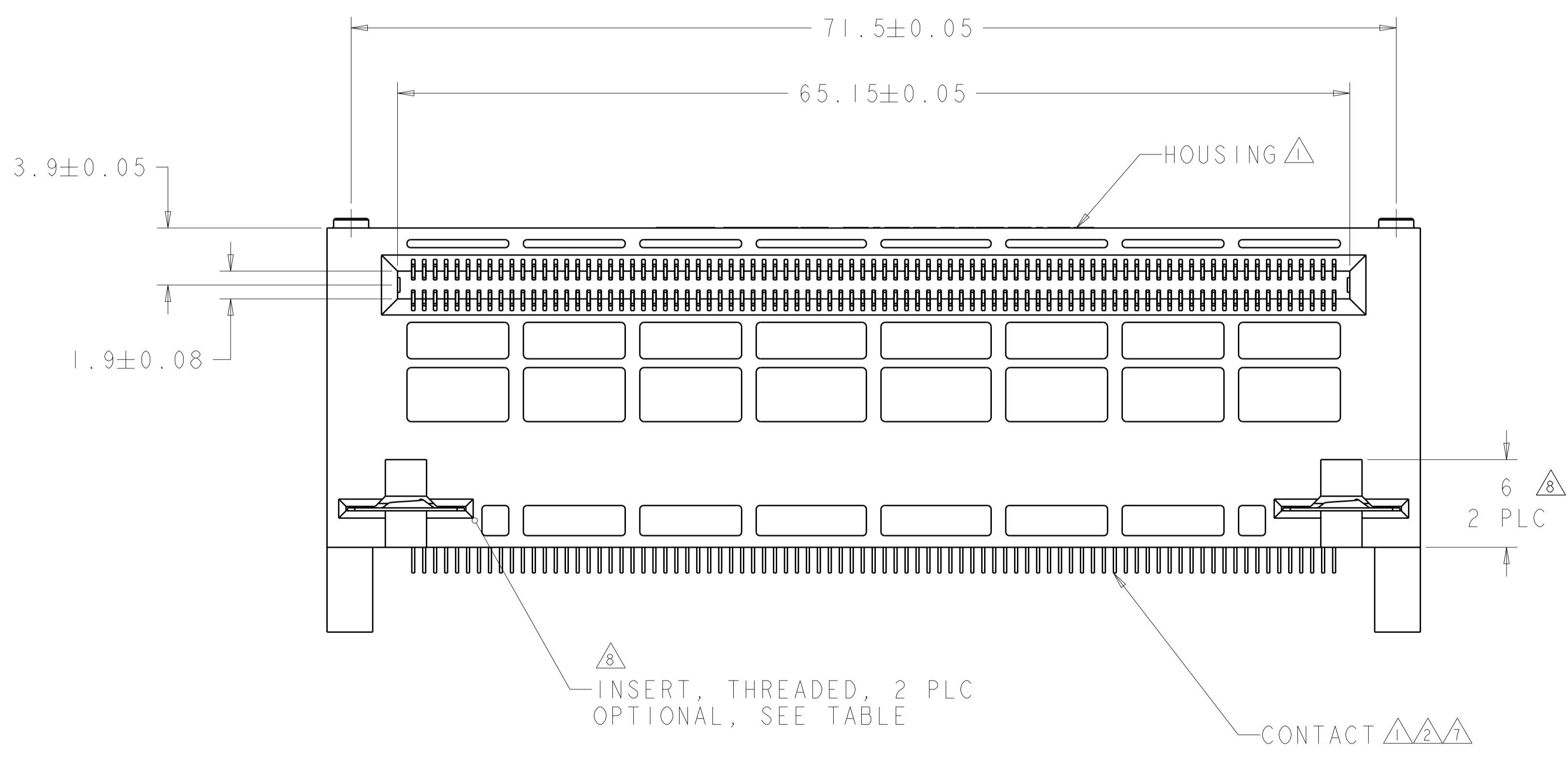
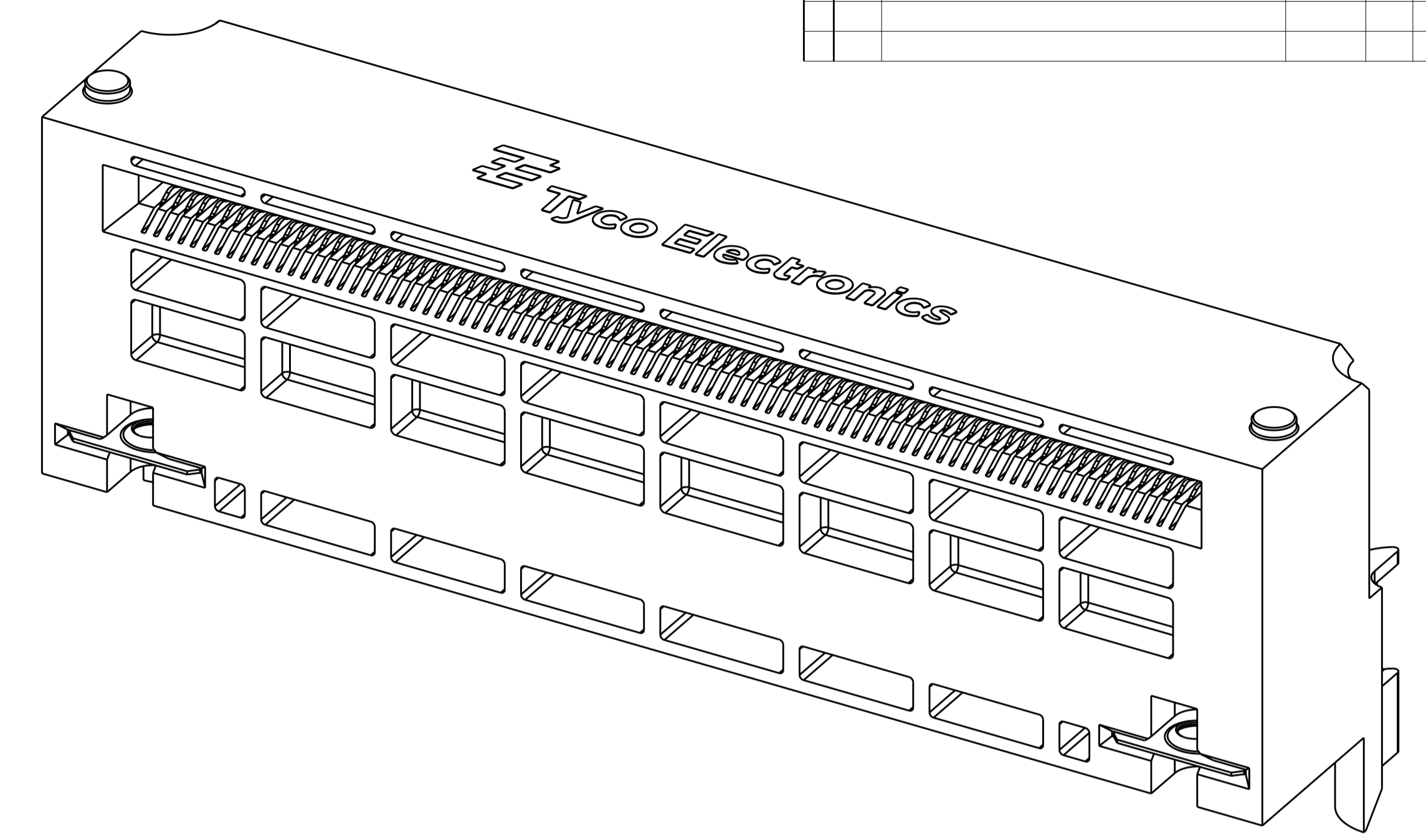
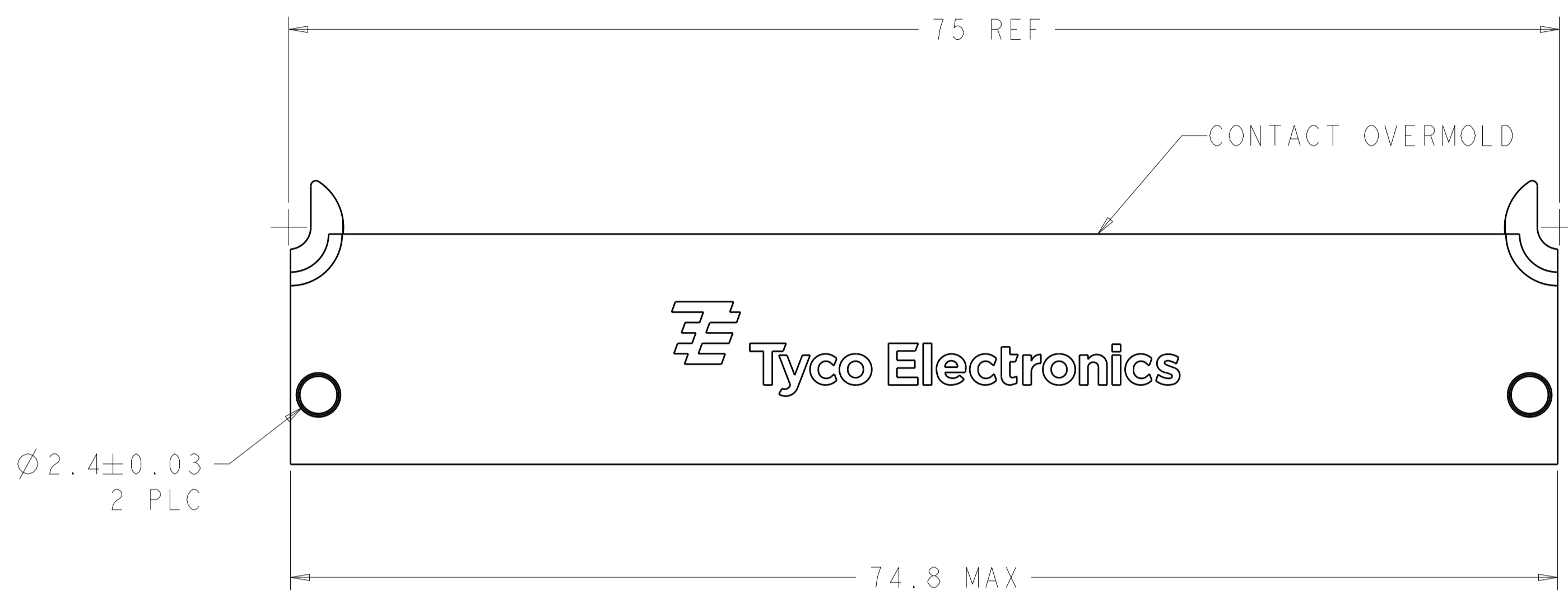
7.0	2	YES	△	△	3-1367703-2
7.0	2	YES	△	△	3-1367703-1
7.0	2	NO	△	△	2-1367703-2
7.0	2	NO	△	△	2-1367703-1
3.0	1	YES	△	△	1-1367703-2
3.0	1	YES	△	△	1-1367703-1
3.0	1	NO	△	△	1367703-2
3.0	1	NO	△	△	1367703-1
"A"	SHEET	INSERTS	FINISH	PART NUMBER	

THIS DRAWING IS A CONTROLLED DOCUMENT.

DIMENSIONS:	TOLERANCES UNLESS OTHERWISE SPECIFIED:	DWN P. KERLIN 18FEB2005	CHK E. BRIGHT 18FEB2005	APVD E. BRIGHT 18FEB2005
mm	0 PLC ± 1 PLC ± 2 PLC ± 3 PLC ± 4 PLC ± ANGLES ± FINISH ±	NAME AMC CONNECTOR, STYLE B+		
MATERIAL	FINISH	PRODUCT SPEC 108-2277	APPLICATION SPEC 114-13181	RESTRICTED TO
		SIZE CAGE CODE DRAWING NO A100779	SCALE 4:1	SHEET 1 OF 3
		RESTRICTED CUSTOMER	REV A	

STE TE Connectivity

LOC		DIST		REVISIONS			
AG	00	P	LTN	DESCRIPTION	DATE	DMN	APVD
				SEE SHEET 1			

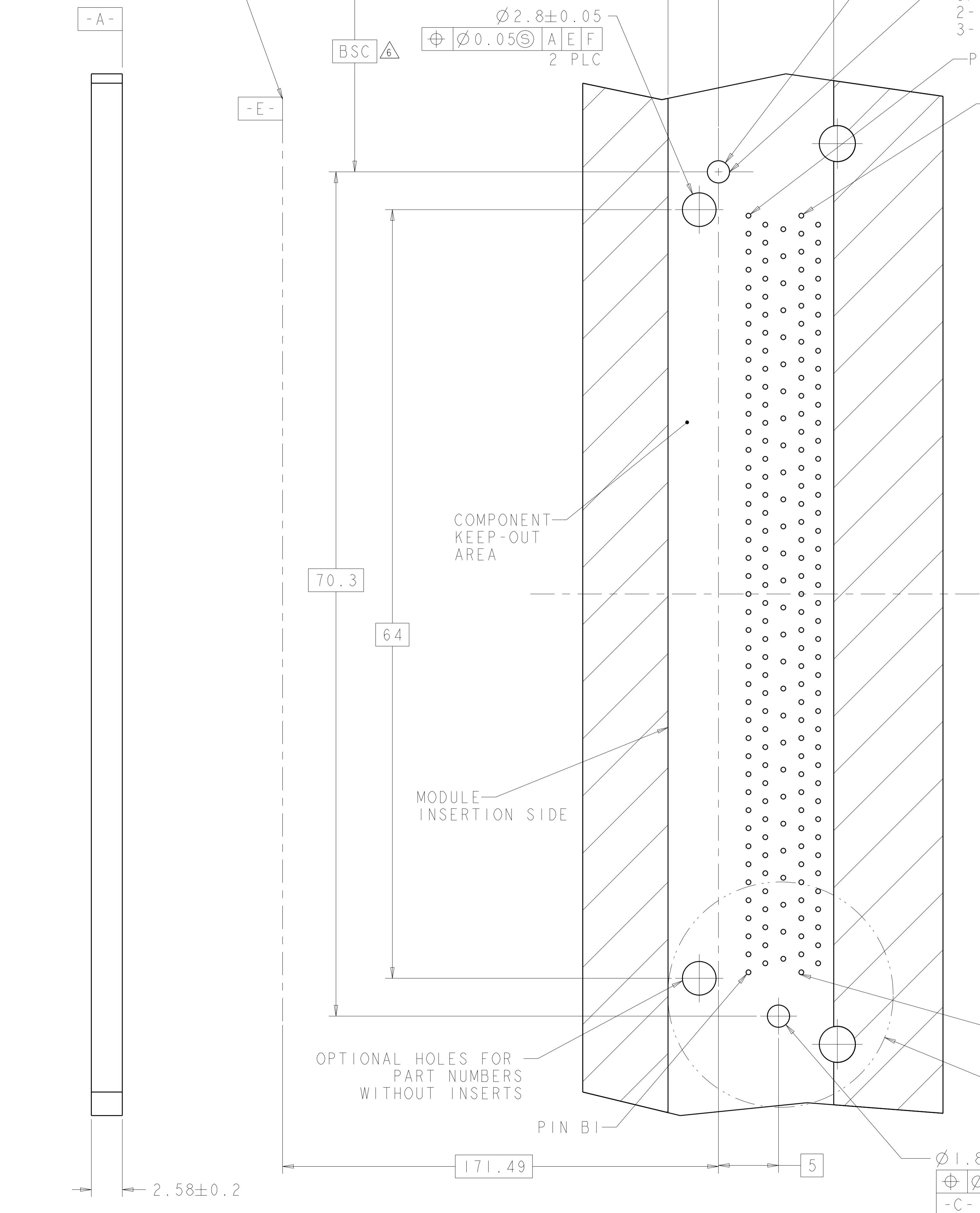


THIS DRAWING IS A CONTROLLED DOCUMENT.		DMN P. KERLIN 18FEB2005	TE Connectivity NAME AMC CONNECTOR, STYLE B+
DIMENSIONS: mm		CHK E. BRIGHT 18FEB2005	
TOLERANCES UNLESS OTHERWISE SPECIFIED:		APVD E. BRIGHT 18FEB2005	PRODUCT SPEC
0 PLC ±			108-2277
1 PLC ±			APPLICATION SPEC
2 PLC ±			114-13181
3 PLC ±			WEIGHT
4 PLC ±			RESTRICTED CUSTOMER
ANGLES ±			SCALE 4:1
MATERIAL			SHEET 2 OF 3
FINISH			REV A

LOC	DIST	REV	DATE	BY	APPD
AG	00				

REVISIONS			
NO.	DESCRIPTION	DATE	BY
1	SEE SHEET 1		

DATUM -E- REFERS TO CARRIER BOARD FROM PICMG AMC SPECIFICATION



OPTIONAL HOLES FOR P/N'S
 2-1367703-1 AND 2--2
 3-1367703-1 AND 3--2

PIN B85

PIN B86

PIN B170

SEE DETAIL X

PIN B1

Ø 1.85±0.05
 ⊕ ⊙ 0.05 ⊙ A E F
 -D-
 2 PLC

Ø 0.4 REF
 ⊕ ⊙ 0.05 ⊙ C ⊙ D ⊙
 198 HOLES
 SEE NOTE 3

Ø "A"
 ⊕ ⊙ 0.05 ⊙ C ⊙ D ⊙
 2 HOLES

1.5
 41 PLC

1.5
 42 PLC

2.25
 27 PLC

2.35
 2 PLC

4.4

4.9
 2 PLC

11.5
 2 PLC

0.4

5.8

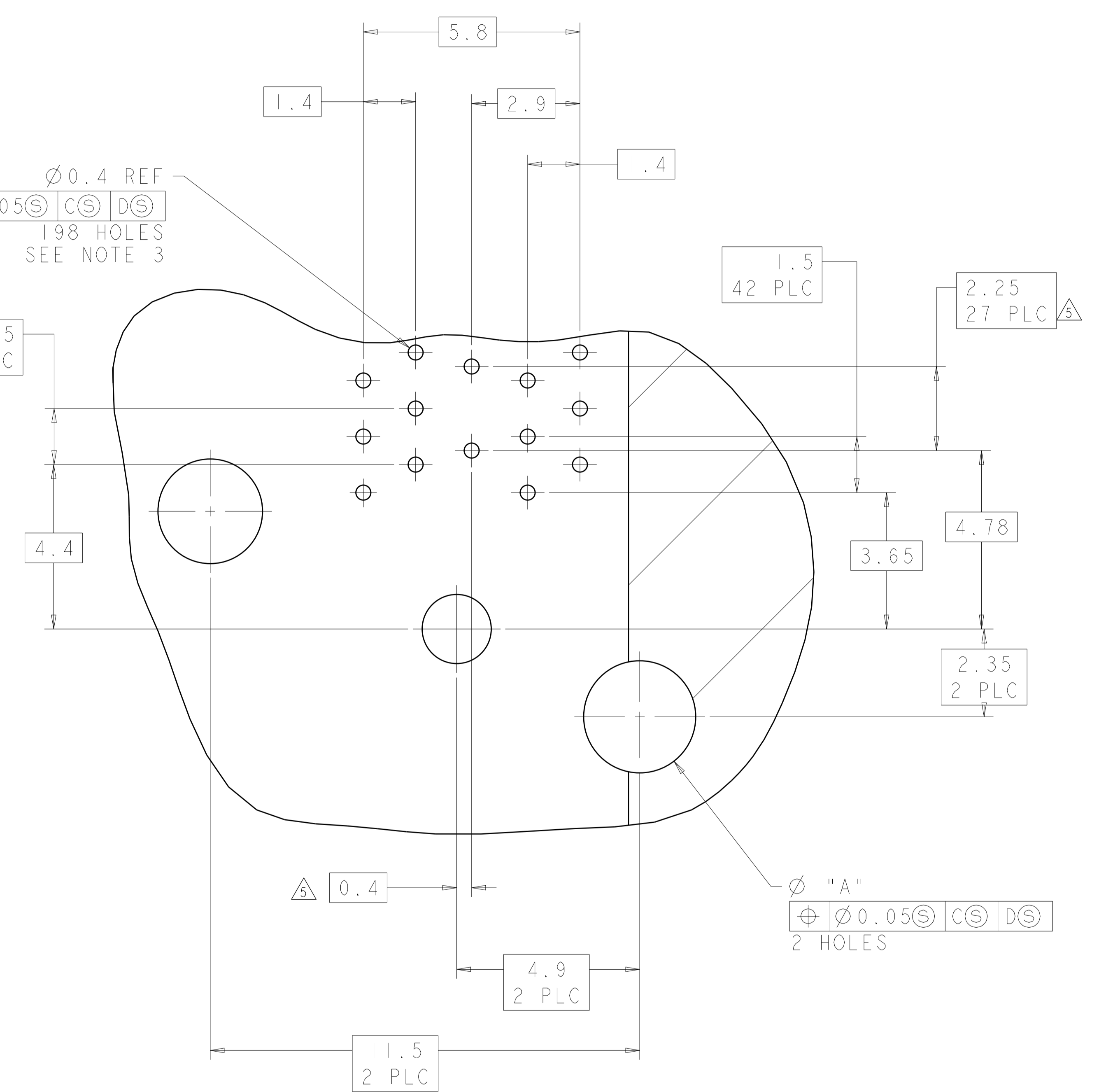
1.4

2.9

1.4

3.65

4.78



DETAIL X
 SCALE 12:1

RECOMMENDED P.C.B. CONFIGURATION

THIS DRAWING IS A CONTROLLED DOCUMENT.		OWN P. KERLIN 18FEB2005	TE Connectivity
DIMENSIONS:		CHK E. BRIGHT 18FEB2005	
mm	TOLERANCES UNLESS OTHERWISE SPECIFIED:	APVD E. BRIGHT 18FEB2005	NAME AMC CONNECTOR, STYLE B+
0 PLC	±	PRODUCT SPEC	SIZE
1 PLC	±	108-2277	CAGE CODE
2 PLC	±	APPLICATION SPEC	DRAWING NO
3 PLC	±	114-13181	RESTRICTED TO
4 PLC	±	WEIGHT	A100779
ANGLES	±	RESTRICTED CUSTOMER	SCALE 5:1
MATERIAL	FINISH		SHEET 3 OF 3
			REV A