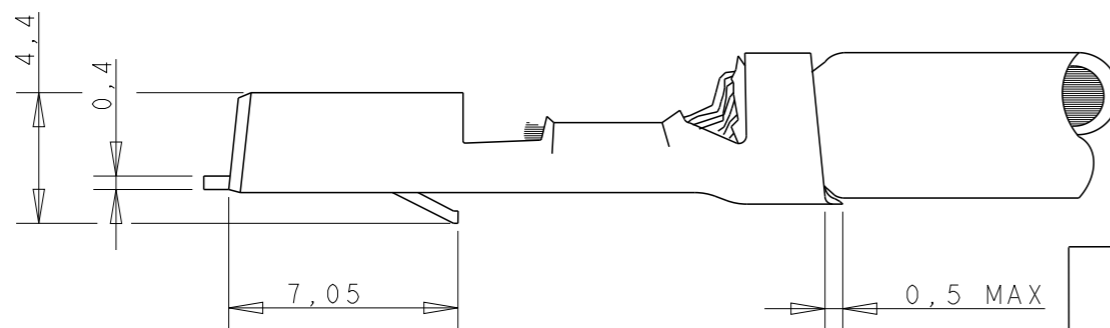
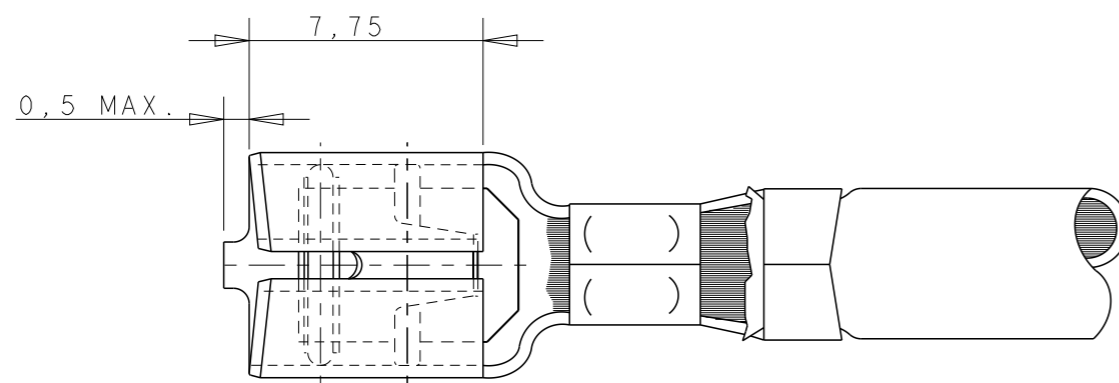
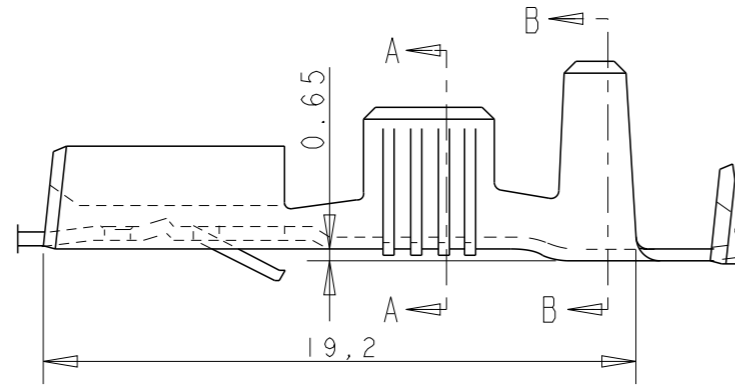
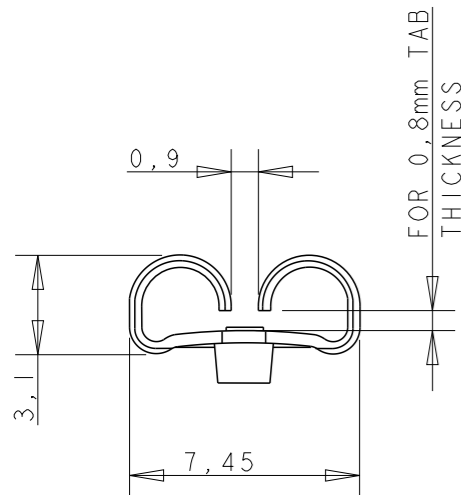
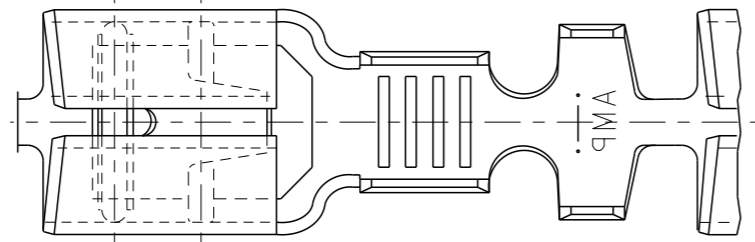


P	LTR	DESCRIPTION	DATE	DWN	APVD
	D2	ECR-22-147013	21 JUL 2022	I. E	W. M

NOTES:

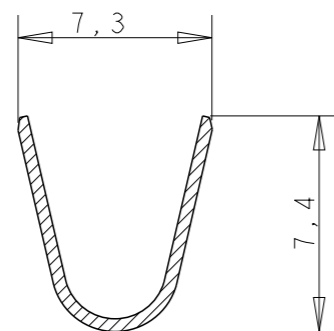
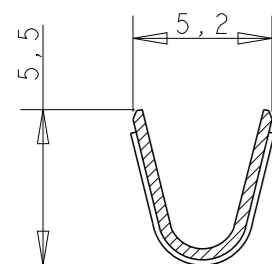
△ FOR USE ON MINIATURE APPLICATORS ( LEFT-RIGHT FEED ) AND STANDARD APPLICATORS ( RIGHT-LEFT FEED ).

2 REELED WITH PAPER COVER.



WIRE RANGE :  
4,0-6,0 mm<sup>2</sup>  
INSULATION RANGE :  
4,0-5,2 DIA.

NOTES	FINISH	MATERIAL	PARTNUMBER
△	PRE-TINPLATED	PH. BRONZE	6-160914-8
△	PRE-TINPLATED	BRASS	6-160914-7
△	TINPLATED	PH. BRONZE	160914-4
△	UNPLATED	PH. BRONZE	160914-3
△	TINPLATED	BRASS	160914-2
△	UNPLATED	BRASS	160914-1



SECTION A-A

SECTION B-B

THIS DRAWING IS A CONTROLLED DOCUMENT.		DWN L.V.D. HEYDEN 02 JUL 87		
		CHK A.B 10 AUG 87		
		APVD L.V. SOEST 25 AUG 87	NAME .250 SRS FASTIN-ON RECEPTACLE	
DIMENSIONS: mm		PRODUCT SPEC 108-5178	RESTRICTED TO	
TOLERANCES UNLESS OTHERWISE SPECIFIED:		APPLICATION SPEC 114-18022	SIZE A3	CAGE CODE -
0 PLC ±-		WEIGHT -	DRAWING NO C-160914	SHEET 1 OF 1
1 PLC ±0.3		CUSTOMER DRAWING	SCALE -	REV D2
2 PLC ±0.30				
3 PLC ±-				
4 PLC ±-				
ANGLES ±-				
MATERIAL See table	FINISH See table			