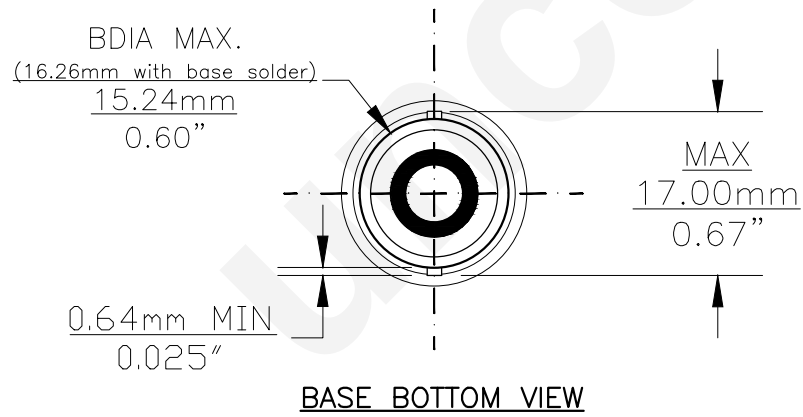
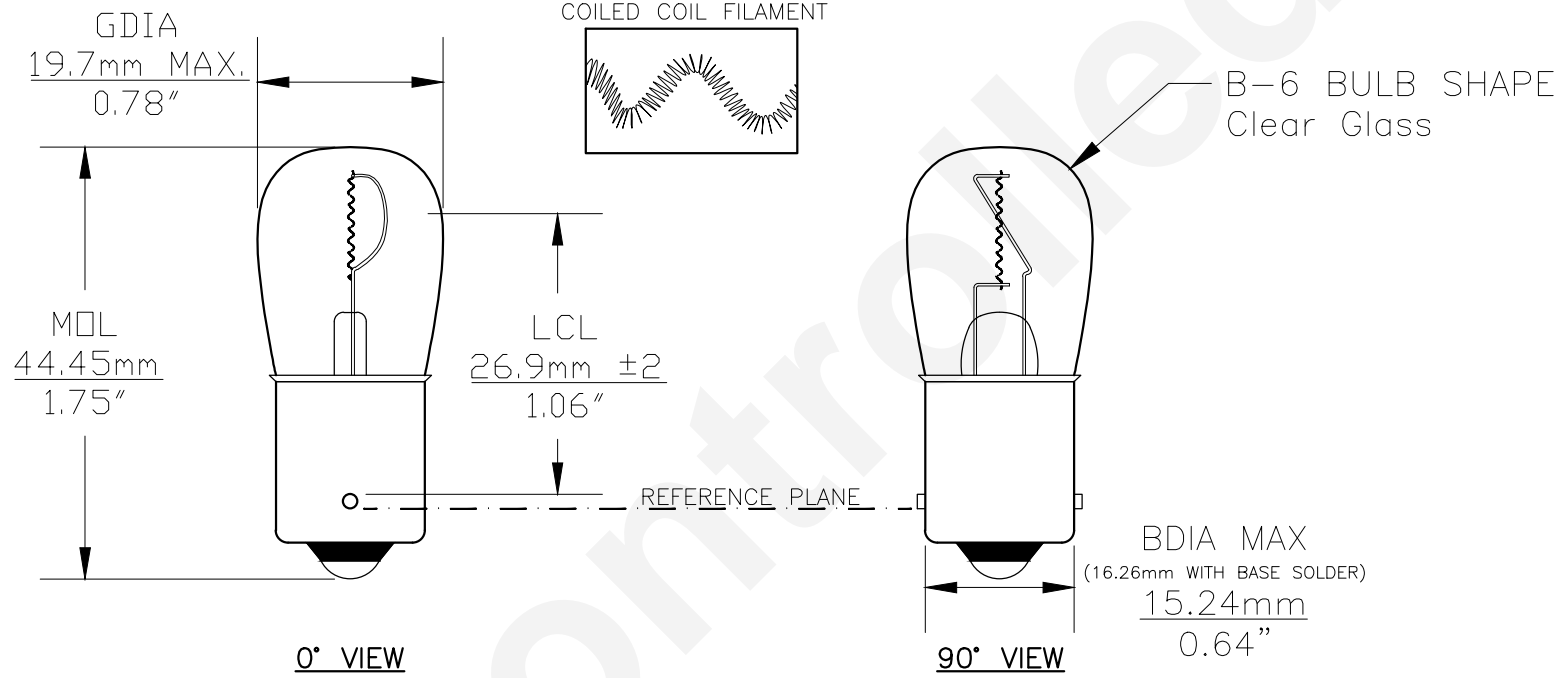




PART NO.	BASE TYPE	DESIGN VOLTS	DESIGN AMPS	MSCD	FILAMENT TYPE	AVERAGE LIFE HOURS	REVISIONS			
							REV #	DESCRIPTION	DATE	APPROVED
1308	S.C. Bayonet (BA15s)	28.0V	0.56±10%	16±15%	CC-8	2000	1	ISSUED	10/28/2014	R.M.
							2	REVISED GLASS DIAMETER	11/01/2016	R.M.



Note: Made according to SAE specifications



UNLESS OTHERWISE SPECIFIED: DIMENSIONS ARE IN INCHES TOLERANCES		CEC INDUSTRIES LTD			
DECIMALS	ANGULAR	599 BOND STREET		LINCOLNSHIRE, IL 60069	
.XX ± .05	± 0.5°	TITLE LIGHT BULB NO. 1308			
.XXX ± .010		SIZE A	FSCM NO.	DWG NO. 1308	REV 2
FRACTIONAL	± 1/64	SCALE		PLOT SCALE	SHEET 1 OF 1
DRAWN ROSE MEDINA		DATE 10/28/2014		MATERIAL	
CHECKED		FILE 1308.pdf		DRAWING NOT TO SCALE	