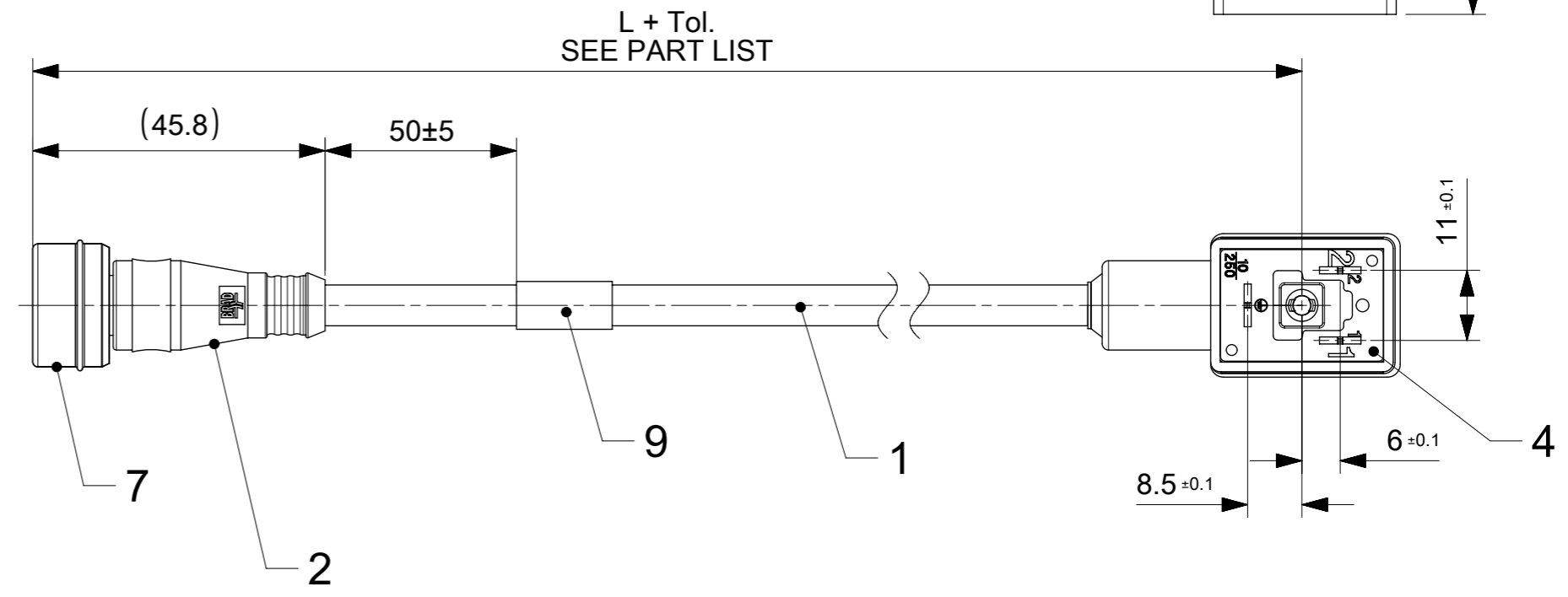
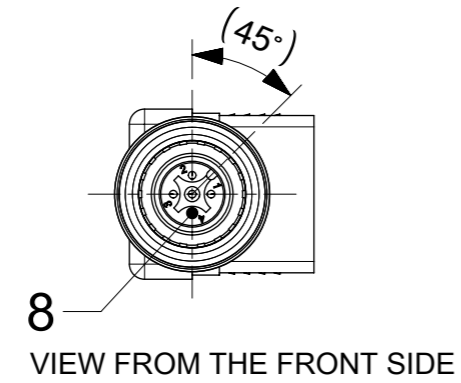
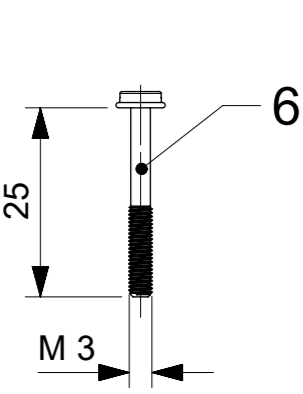
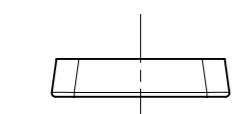
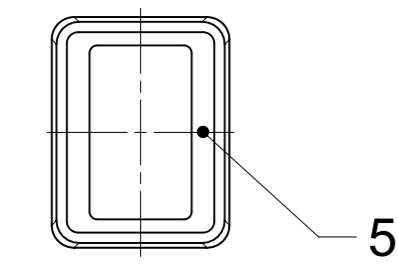
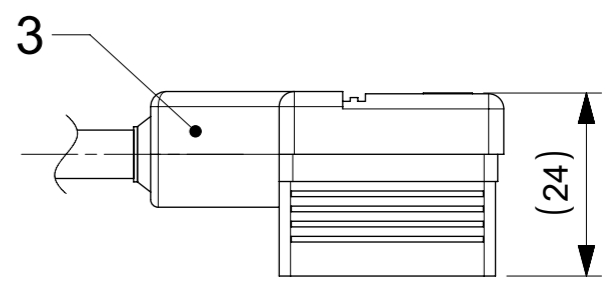
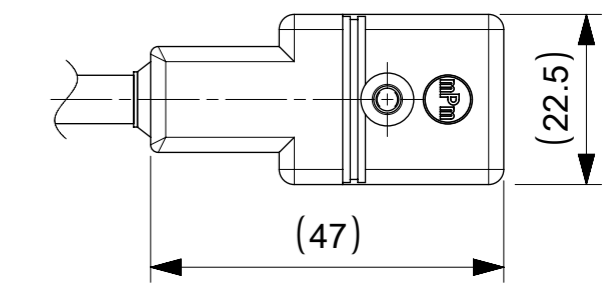
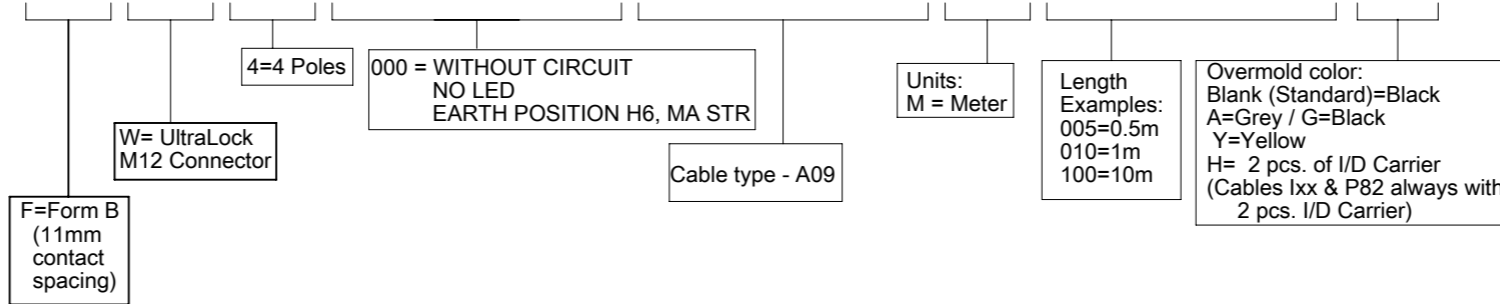


NOTES :

MAX. VOLTAGE : 250V AC/DC
 MAX. CURRENT : 4V
 BENDING RADIUS : 10x CABLE O.D

PART No MATRIX:

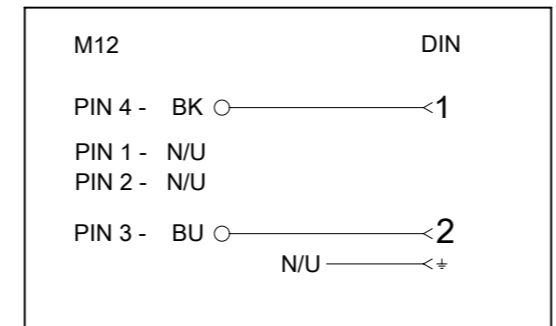
F W 4 0 0 0 X X X M X X X X OPTIONS



BOM

ITEM	QTY	DESCRIPTION	MATERIAL	COLOR/FINISH
9	1	LABEL	VINYL	YELLOW
8	4	CONTACT MALE	BRASS	Au OVER Ni-PLATED
7	1	MIC 4P MALE ULTRA-LOCK ASSEMBLY	-	-
6	1	SCREW M3 X 25.0 MM	-	-
5	1	PROFILED GASKET	NBR	BLACK
4	1	DIN INSERT ASSEMBLY	-	-
3	-	DIN OVERMOULD	POLYPROP	BLACK
2	-	OVERMOULD	TPU	YELLOW
1	-	CABLE	PVC	YELLOW

ELECTRICAL DIAGRAM



PART LIST

Part No.	Engineering No.	L+Tol.[mm]
1210360874	EW4000A09M010	1000±20

FUNCTIONAL SYMBOLS		THIS DRAWING CONTAINS INFORMATION THAT IS PROPRIETARY TO MOLEX ELECTRONIC TECHNOLOGIES, LLC AND SHOULD NOT BE USED WITHOUT WRITTEN PERMISSION		CURRENT REV DESC:	
▽/A = 0	mm	SCALE	1:1	EC NO: 703538	
▽/E = 0	GENERAL TOLERANCES (UNLESS SPECIFIED)		DRWN: SSM		2022/03/14
▽/V = 0	ANGULAR TOL ± °		CHK'D: RSILLER		2022/04/22
DIVISIONAL SYMBOLS	4 PLACES ±	APPR: RSILLER		2022/04/22	
	3 PLACES ±	INITIAL REVISION:		DOCUMENT NUMBER	
	2 PLACES ±	DRWN: SSM		1210360874	
	1 PLACE ±	APPR: RSILLER		DOC TYPE DOC PART REVISION	
	0 PLACES ±	DRAFT WHERE APPLICABLE MUST REMAIN WITHIN DIMENSIONS		PSD 000 A	
THIRD ANGLE PROJECTION		DRAWING	SERIES	MATERIAL NUMBER	CUSTOMER
A3-SIZE		121036	SEE PART LIST	GENERAL MARKET	SHEET NUMBER
					1 OF 1

6

5

4

3

2

1

E

D

C

B

A

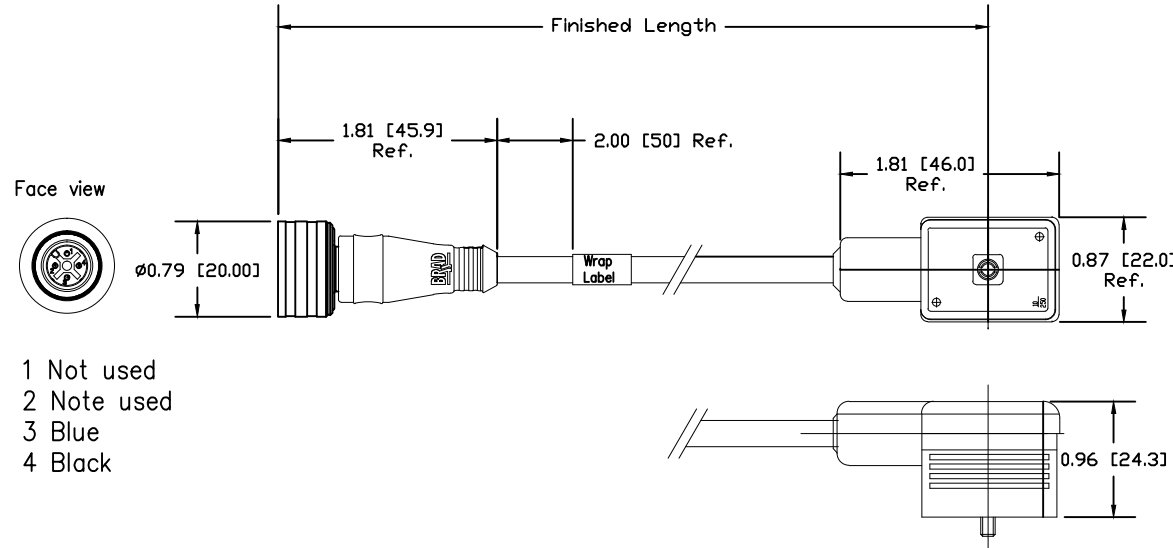
E

D

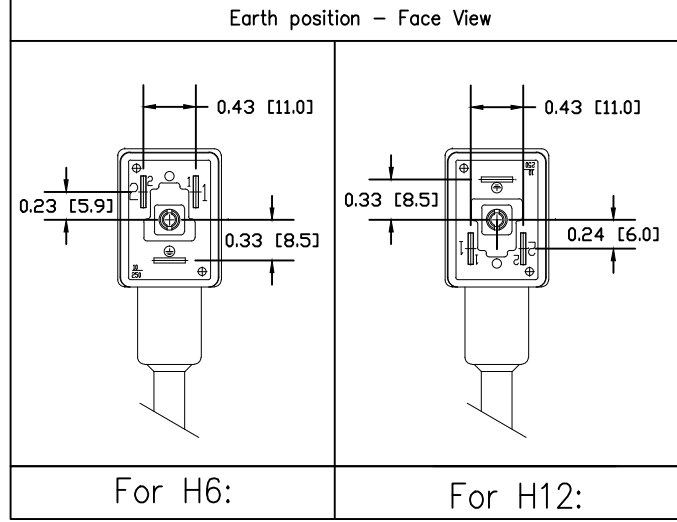
C

B

A



- 1 Not used
- 2 Note used
- 3 Blue
- 4 Black

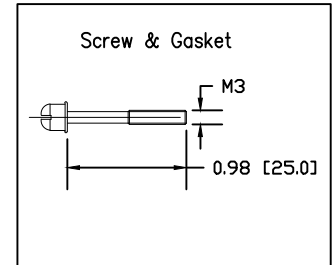
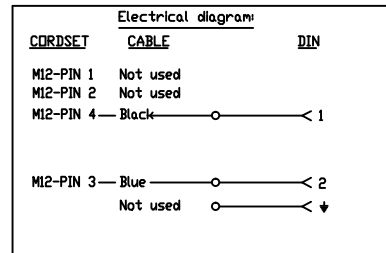


PART No MATRIX

F W 4 0 0 X A 0 9 M X X X

Length:
020=2 Meters
050=5 Meters
200=20 Meters

DIN Earth Position - o'clock &
M12 connector body:
0 = EARTH H6, MALE Straight
1 = EARTH H12, MALE Straight
2 = EARTH H6, MALE 90°
3 = EARTH H12, MALE 90°



MECHANICAL
CONTACT : GOLD/NICKEL OVER COPPER ALLOY
INSERT : BLACK NYLON
COUPLING NUT: TEFLON COAT OVER NICKEL PLATED BRASS
MOLDED BODY:ULTRA LOCK- YELLOW PVC
DIN BLACK POLYPROPYLENE
CABLE: 22 AWG 4 CONDUCTORS YELLOW PVC JACKET
CABLE O.D. .200±.10[5.08±.254]
BEND RADIUS 10XCABLE O.D.

ELECTRICAL
VOLTAGE RATING: 250V AC/DC
AMPERAGE: 4A

RELEASE EC NO: ICG2013-1719 DRWN: TWOLDEGE 2013/05/08 CHKD: BRUPERT APPR: BWOODMAN 2013/11/07	QUALITY SYMBOLS ▽=0 ▽C=0	GENERAL TOLERANCES (UNLESS SPECIFIED)		DIMENSION STYLE INCH/MM		SCALE 1:1	DESIGN UNITS INCH	THIRD ANGLE PROJECTION	
		4 PLACES ±--- ±---	mm INCH	DRAWN BY TWOLDEGE	DATE 2013/05/08	TITLE U-LOCK TO DIN ASSEMBLY 4-P MALE ULOCK-11MM DIN 22/4 AWG YLLOW PVC			
		3 PLACES ±--- ±.005	2 PLACES ±.13 ±.010	CHECKED BY BRUPERT	DATE ---	MOLEX INCORPORATED			
		1 PLACE ±.25 ±.020	ANGULAR ±.5°	APPROVED BY BWOODMAN	DATE 2013/11/07	MATERIAL NO. SEE MATRIX	DOCUMENT NO. SD-121035-001	SHEET NO. 1 OF 1	
A	DRAFT WHERE APPLICABLE MUST REMAIN WITHIN DIMENSIONS	SIZE A	THIS DRAWING CONTAINS INFORMATION THAT IS PROPRIETARY TO MOLEX INCORPORATED AND SHOULD NOT BE USED WITHOUT WRITTEN PERMISSION						

6

5

4

3

2

1